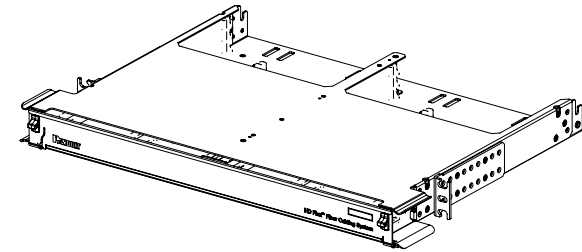
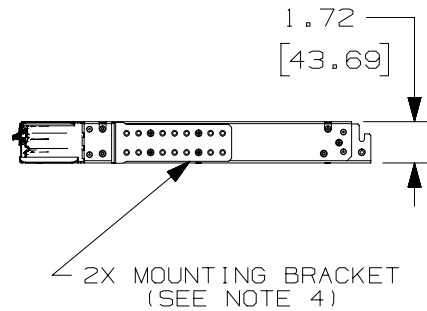
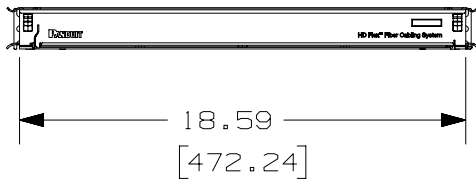
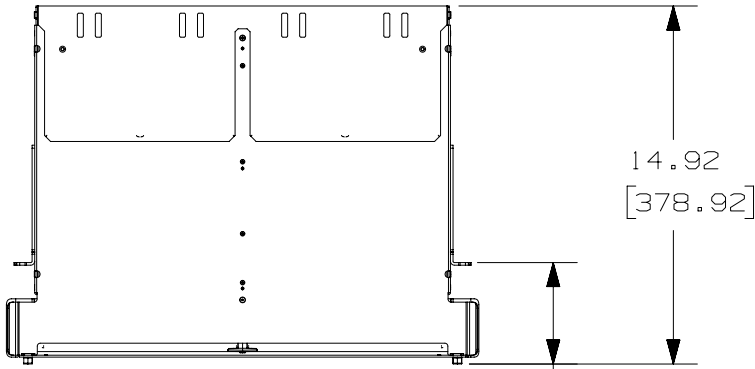


THIS COPY IS PROVIDED ON A RESTRICTED BASIS AND IS NOT TO BE USED IN ANY WAY DETRIMENTAL TO THE INTERESTS OF PANDUIT CORP.


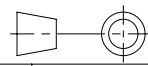
NOTES:

1. SEE CATALOG FOR COMPLETE LIST OF PARTS APPLICABLE FOR USE WITH THIS PART.
2. DIMENSIONS IN BRACKETS ARE METRIC.
3. MATERIAL: GALVANNEALED STEEL
COLOR: BLACK
4. MOUNTING BRACKETS ADJUSTABLE IN 1/2" INCREMENTS.
5. ALL MATERIALS AND COMPONENTS USED MEET THE MATERIAL RESTRICTIONS OF RoHS (EUROPEAN DIRECTIVE 2011/65/EC ON THE RESTRICTION OF HAZARDOUS SUBSTANCES) AS PROPOSED BY THE RoHS TECHNICAL ADAPTATION COMMITTEE.



PANDUIT PART NO.	WEIGHT
FLEX1U	12.20 lbs (5.55 kg)

REV	DATE	BY	CHK	APR	DESCRIPTION	ECN
01	03-02-16	SAT	BJBE	TMK	RELEASED TO PRODUCTION	12F187AB-DC

TITLE HD FLEX 1RU ENCLOSURE (FLEX1U) CUSTOMER DRAWING			
ITEM REVISION NAME 12F187AB/07		 PART NO. FLEX1U	
DATASET FILE NAME 12F187AB_DC/07A			
UNLESS OTHERWISE SPECIFIED, DIMENSIONAL TOLERANCES ARE: IN (mm) DIMENSIONS ARE FOR REFERENCE ONLY			DRAWING NUMBER: 12F187AB-DC
 THIRD ANGLE PROJECTION	DRAWN BY SAT	DATE 11-13-14	CHK JESA SCALE 1 : 8
		SHT 1 OF 1	
		SIZE A	

2

1