

## OMR series

### Dry Reed Relay

Telecommunications, Office Machines.

File No. E82292

Users should thoroughly review the technical data before selecting a product part number. It is recommended that user also seek out the pertinent approvals files of the agencies/laboratories and review them to ensure the product meets the requirements for a given application.

#### Features

- Low cost, small package dry reed relay.
- 1 Form A contact and 2 Form A arrangements.

#### Contact Data @ 20°C

**Arrangements:** 1 Form A (SPST-NO), 2 Form A (DPST-NO).

**Material:** Rh, Ru.

**Max. Switching Rate:** 300 ops./min. (no load).  
30 ops./min. (rated load).

**Expected Mechanical Life:** 100 million operations (no load).

**Expected Electrical Life:** 1,000,000 operations (rated load).

**Minimum Load:** 1mA @1VDC.

**Initial Contact Resistance:** 150 milliohms @100mA, 6VDC.

#### Contact Ratings

##### Ratings:

100µA @5VDC, 100,000,000 operations.

1mA @5VDC, 50,000,000 operations.

5mA @5VDC, 50,000,000 operations.

5mA @12VDC, 50,000,000 operations.

10mA @12VDC, 50,000,000 operations.

100mA @12VDC, 10,000,000 operations.

100mA @24VDC, 7,000,000 operations.

200mA @24VDC, 7,000,000 operations.

400mA @24VDC, 5,000,000 operations.

**Max. Switched Voltage: AC:** 120V.  
DC: 60V.

**Max. Switched Current:** 0.5A .

**Max. Switched Power:** 10VA, 10W.

#### Initial Dielectric Strength

**Between Open Contacts:** 200VDC. (1 second).

**Between Coil and Contacts:** 3,000VDC. (1 second).

**Surge Voltage Between Coil and Contacts:** 3,000V (10 / 160µs).

#### Initial Insulation Resistance

**Between Mutually Insulated Elements:** 1,000M ohms min. @100VDCM.

#### Coil Data

**Voltage:** 6 to 24VDC.

**Nominal Power:** 100 mW to 280mW.

**Coil Temperature Rise:** 30°C max., at rated coil voltage.

**Max. Coil Power:** 160% of nominal.

**Duty Cycle:** Continuous.

#### Coil Data @ 20°C

OMR				
Rated Coil Voltage (VDC)	Nominal Current (mA)	Coil Resistance (ohms) ± 10%	Must Operate Voltage (VDC)	Must Release Voltage (VDC)
5/6	24.0	250	3.50	0.50
9	12.9	700	6.30	0.90
12	11.4	1,050	8.40	1.20
24	11.5	2,080	16.80	2.40

#### Operate Data

**Must Operate Voltage:** 70% of nominal voltage or less.

**Must Release Voltage:** 10% of nominal voltage or more.

**Operate Time:** 1.0 ms max.

**Release Time:** 0.5 ms max.

#### Environmental Data

##### Temperature Range:

**Operating:** -30°C to +70°C

**Vibration, Mechanical:** 10 to 55 Hz., 1.5mm double amplitude

**Operational:** 10 to 55 Hz., 1.5mm double amplitude.

**Shock, Mechanical:** 1,000m/s<sup>2</sup> (100G approximately).

**Operational:** 100m/s<sup>2</sup> (10G approximately).

**Operating Humidity:** 20 to 85% RH. (Non-condensing)

#### Mechanical Data

**Termination:** Printed circuit terminals.

**Enclosure (94V-0 Flammability Ratings):**

**OMR:** Open, no cover.

**OMR-C:** Snap-on dust cover.

**Weight:** 0.16 oz (4.5g) approximately.

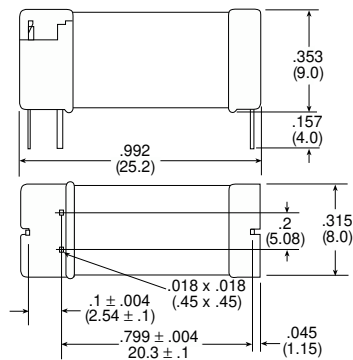
**Ordering Information**

<b>Typical Part Number ▶</b>	<b>OMR</b>	<b>-C</b>	<b>-1</b>	<b>12</b>	<b>H</b>	<b>,000</b>
<b>1. Basic Series:</b> OMR = Dry Reed Relay.						
<b>2. Enclosure:</b> Blank = Open, no cover. C = Snap-on dust cover.						
<b>3. Termination:</b> 1 = 1 pole                      2 = 2 pole						
<b>4. Coil Voltage:</b> 06 = 6VDC                      12 = 12VDC 09 = 9VDC                      24 = 24VDC						
<b>5. Contact Rating:</b> H = 0.5A @ 120VAC						
<b>6. Suffix:</b> ,000 = Standard model                      Other Suffix = Custom model						

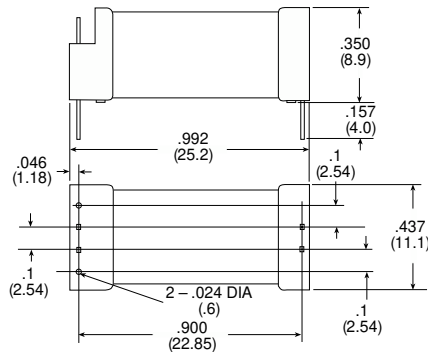
**Our authorized distributors are more likely to stock the following items for immediate delivery.**  
None at present.

**Outline Dimensions**

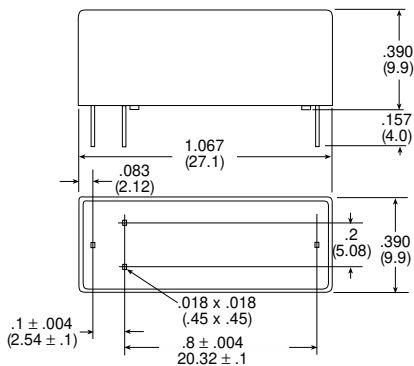
**Open Type, 1 Form A**



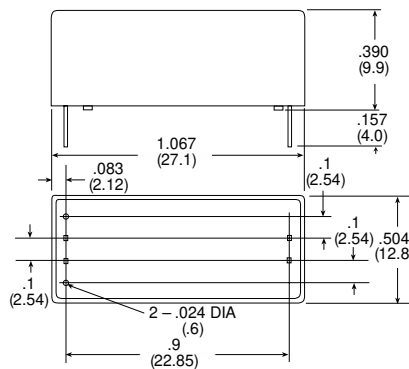
**Open Type, 2 Form A**



**Snap-on Dust Cover Type, 1 Form A**

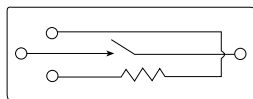


**Snap-on Dust Cover type, 2 Form A**

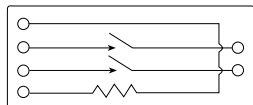


**Wiring Diagrams (Bottom View)**

**1 Form A**

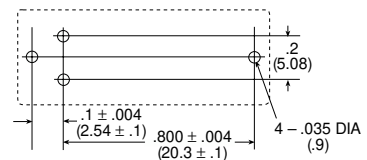


**2 Form A**



**PC Board Layout (Bottom View)**

**1 Form A**



**2 Form A**

