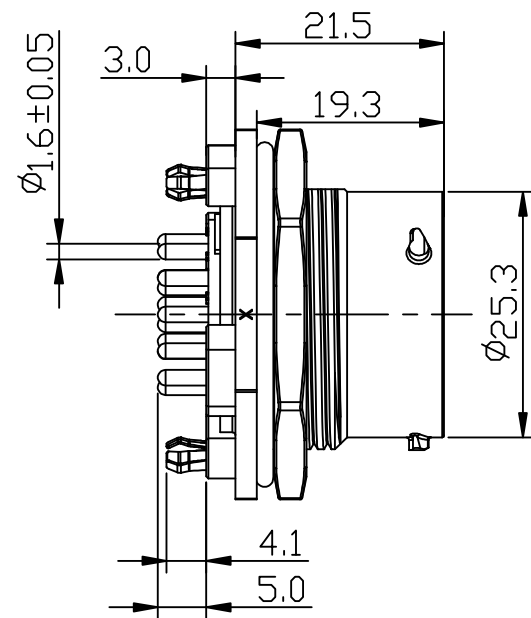
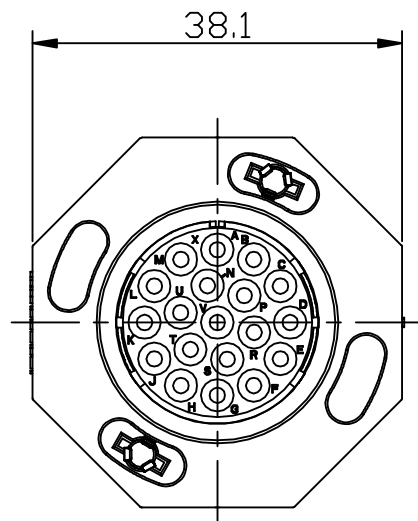
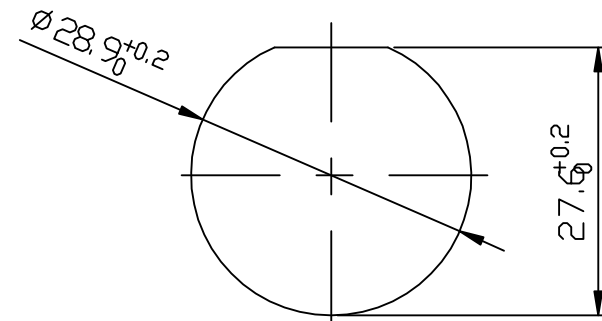
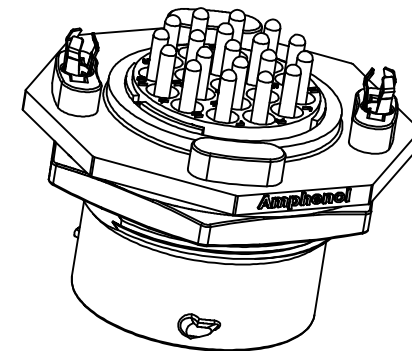
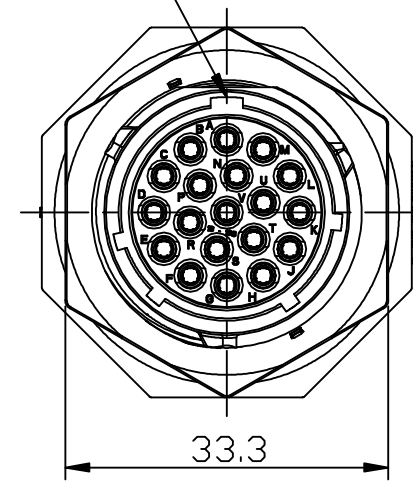


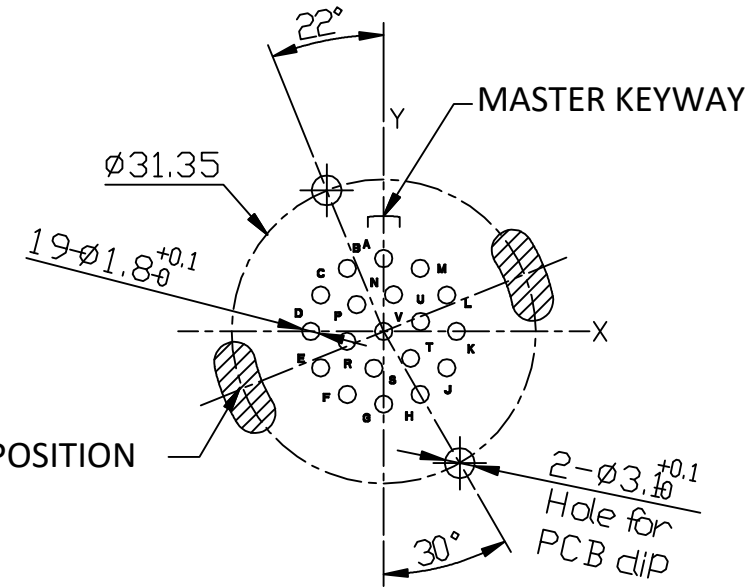
REVISIONS					
REV	ECD	DESCRIPTION	DATE	BY	APPR
A1	-	RELEASED DRAWING	Jul-25-2019	Ronald	Tommy



MASTER KEYWAY



RECOMMEND MOUNTING HOLE



RECOMMEND PCB LAYOUT

Position number	X	Y
A	0.000	7.500
B	-3.750	6.495
C	-6.495	3.750
D	-7.500	0.000
E	-6.495	-3.750
F	-3.750	-6.495
G	0.000	-7.500
H	3.750	-6.495
J	6.495	-3.750
K	7.500	0.000
L	6.495	3.750
M	3.750	6.495
N	1.016	3.791
P	-2.775	2.775
R	-3.791	-1.016
S	-1.016	-3.791
T	2.775	-2.775
U	3.791	1.016
V	0.000	0.000

NOTES: (UNLESS OTHERWISE SPECIFIED)

1. MATERIAL:

- SHELL: THERMOPLASTIC, UL94 V-0.
- INSERT: THERMOPLASTIC, UL94 V-0.
- O-RING: NBR/SILICONE RUBBER.
- FIXED RUBBER: NBR/SILICONE RUBBER.
- SEAL GASKET: NBR/SILICONE RUBBER.
- JAM NUT: ALUMINIUM ALLOY, BLACK ANODIZING.
- CONTACT: COPPER ALLOY, GOLD PLATED.
- LOCKING POSTS: COPPER ALLOY, TIN PLATED.

2. SPECIFICATIONS:

- 2.1 RATED CURRENT: MACHINED CONTACT 13A(MAX).
- 2.2 RATED VOLTAGE: 500V(AC/DC).
- 2.3 OPERATING TEMPERATURE: -40C - 125C.
- 2.4 DIELECTRIC WITHSTANDING VOLTAGE: LESS THAN 2 MILLIAMPS CURRENT LEAKAGE@2000 VOLTS AC.
- 2.5 INSULATION RESISTANCE: 5000 MEGOHMS MIN.
- 2.6 IP--CLASS: IP67 AND IP69K IN THE MATED CONDITION.
- 2.7 MATING CYCLES DURABILITY: 500 CYCLES MIN.
- 2.8 RoHS COMPLIANT.

3. SUITABLE CONTACTS: 16# CONTACT.

4. ALL DIMENSIONS ARE FOR REFERENCE USE ONLY.

KEY	PART NUMBER
N	RTS716ND19S0332
W	RTS716WD19S0332
X	RTS716XD19S0332
Y	RTS716YD19S0332
Z	RTS716ZD19S0332

QUANTITY	PART NUMBER	DESCRIPTION	ITEM
<b>MATERIALS LIST</b>			
<b>UNLESS OTHERWISE SPECIFIED</b> 1) All dimensions are in metric(mm). 2) Tolerances are as follows: 1 PL DEC ±0.30 2 PL DEC ±0.15 3 PL DEC ±0.08 3) Note reference = X		<b>SIGNATURES</b> DRAWN: Ronald CHECKED: Martin ENGINEER: APPROVAL: Tommy <b>DATE</b> JUL-25-2019 JUL-25-2019 JUL-25-2019	<b>Amphenol</b> Sine Systems - www.amphenol-sine.com 44724 Morley Drive Clinton Township, MI 48036
MATERIAL SPECIFICATIONS:		CUSTOMER: ECOMATE® AQUARIUS™, RECEPTACLE, JAM NUT, 19POS SOCKET CONTACT, DIPSOLDER, SIZE 16	
PROCESS SPECIFICATIONS:		THIS DRAWING IS SUPPLIED FOR INFORMATION ONLY. DESIGN FEATURES, SPECIFICATIONS AND PERFORMANCE DATA SHOWN HEREON ARE THE PROPERTY OF THE AMPHENOL CORPORATION. NO RIGHTS OF REPRODUCTION ARE IMPLIED. ALL DIMENSIONS ARE SUBJECT TO NORMAL MANUFACTURING VARIATIONS.	
NEXT ASS'Y:		<b>SIZE</b> B C- <b>SCALE:</b> NONE	<b>DWG NO:</b> RTS716*D19S0332 <b>REVISION</b> A1 <b>SHEET</b> 1 <b>OF</b> 1

RECEPTACLE, JAM NUT, 19POS, SOCKET CONTACT, DIPSOLDER, SIZE 16  
 DWG NO: RTS716\*D19S0332  
 REV: A1  
 SH: 1  
 DF: 1