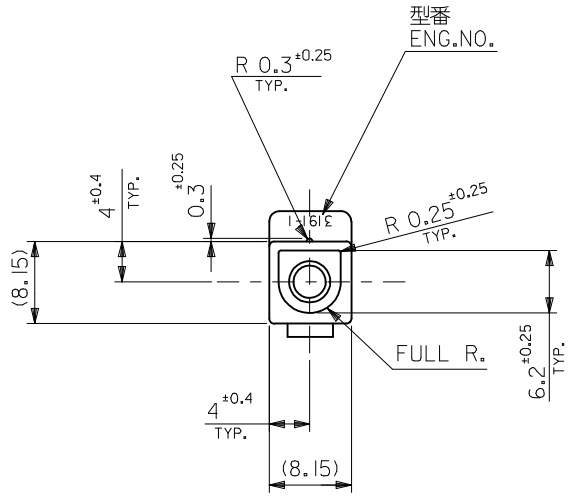


注記
NOTE

- 1. () 内寸法は参考値
DIMENSIONS IN () ARE REFERENCE
- 2. 材料 : ナイロン66
MATERIAL : NYLON66



| | | | |
|------------|---------------------|---------------|--------------------|
| YELLOW | 39-01-9015 | 3191-01P1-YE | 94V-2 |
| RED | 39-01-9014 | 3191-01P1-RE | 94V-2 |
| BLUE | 39-01-9013 | 3191-01P1-BU | 94V-2 |
| NATURAL | 39-03-6013 | 3191-01P1-201 | 94V-0 |
| NATURAL | 39-03-6012 | 3191-01P1 | 94V-2 |
| 色 COLOR | POLYBAG PACKAGE | | モデル番号 MODEL NO. |
| | オーダー番号 ORDER NO. | | |

| | | | | | | | | |
|--|-------------|---------------------------------------|--|----------------------------|-----------------------------|--|------------------------|--|
| REVISED EC NO: J2013-0829 DRWN:KASHIO 2013/01/28 CHKD:KASAKAWA 2013/01/31 APPR:Y01TO 2013/04/16 REV K | DESCRIPTION | GENERAL TOLERANCES (UNLESS SPECIFIED) | | DIMENSION STYLE MM ONLY | SCALE 2:1 | DESIGN UNITS METRIC | THIRD ANGLE PROJECTION | |
| | | 10 UNDER | ±--- | DRAWN BY H. IJIMA | DATE '96/06/26 | TITLE 1 CKT. PLUG HSG (.093 DIA. TERMINAL) | | |
| | | 10 OVER 30 UNDER | ±--- | CHECKED BY M. FUKUSHIMA | DATE '96/06/26 | | | |
| | | 30 OVER | ±--- | APPROVED BY M. ENOMOTO | DATE '96/06/26 | | | |
| | | ANGULAR ±---° | DRAFT WHERE APPLICABLE MUST REMAIN WITHIN DIMENSIONS | MATERIAL NO. SEE CHART | DOCUMENT NO. SD-3191-002 | SHEET NO. 1 OF 1 | | |