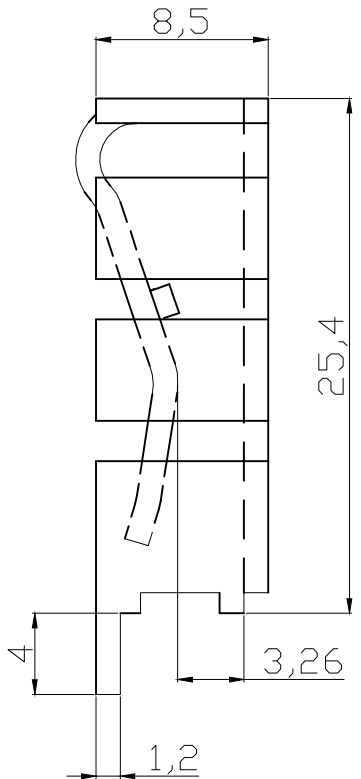
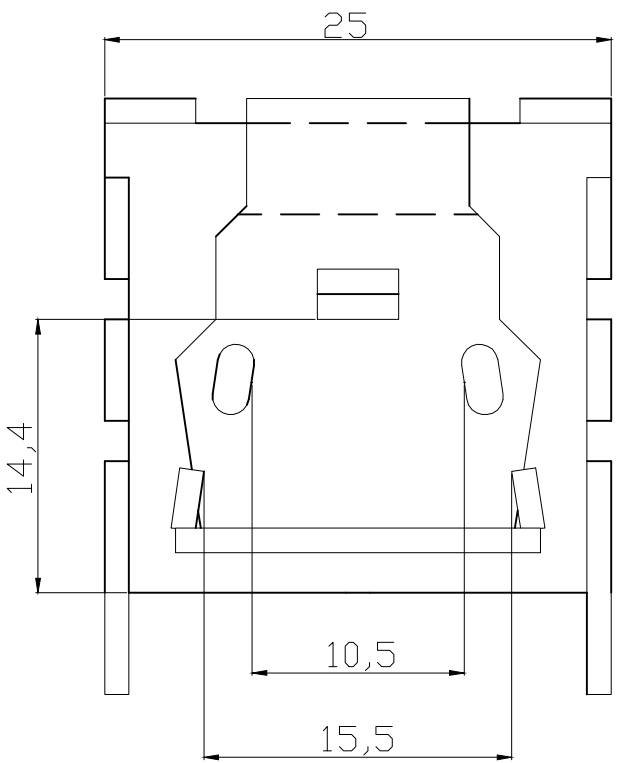



1 2 3 4 5 6 7

A



Material :AL 1050 T=1.2mm  
 Finished :  
 V8510B-T: Black anodized  
 V8510SN-T: Matte Tin plated

**RoHS compliant**  
 Unit: mm

Scale	FREE						Date	Name	Customer-No.
TOLERANCE						Drawn	21.02.2013	Amy	
UNIT	±0,25					Approved	19.06.2013	Amy	ASSMANN WSW-No.
DIM	TOL								V8510x-T
		①	Return to old drawing-No. & dimensions	04.06.2019	Amy				
		②	Drawn	21.02.2013	Amy				
		Id.	Modification	Date	Name				

Drawing-No.	① ASS 2081 HS	rev01
Replace		Sheet

H

1 2 3 4 5 6 7