

SH-8EP008A8LDLS - Cable connector



1627077

<https://www.phoenixcontact.com/us/products/1627077>

Please be informed that the data shown in this PDF document is generated from our online catalog. Please find the complete data in the user documentation. Our general terms of use for downloads are valid.



M23, Cable connector, series: SH, straight long, shielded: yes, SPEEDCON, No. of pos.: 4+4+PE / 3+N+PE, Direction of rotation: Standard, contact connection type: Pin, Crimp connection, cable diameter range: 7.5 mm ... 18 mm, coding: N, Alternative product in accordance with RoHS II without Exemption 6c (Pb <0.1%) item no.: 1245430

Your advantages

- Reduced connection time with optional SPEEDCON fast locking system
- Safe use in the field, thanks to high degree of protection
- Consistent EMC protection for reliable connection solutions in the industrial environment

Commercial data

Item number	1627077
Packing unit	1 pc
Minimum order quantity	1 pc
Sales key	AB35
Product key	ABRCDB
GTIN	4055626310671
Weight per piece (including packing)	142.3 g
Weight per piece (excluding packing)	126.8 g
Customs tariff number	85366990
Country of origin	DE

Technical data

Notes

Safety note

<p>Safety note</p>	<p>WARNING: The connectors may not be plugged in or disconnected under load. Ignoring the warning or improper use may damage persons and/or property.</p> <ul style="list-style-type: none"> • WARNING: Commission properly functioning products only. The products must be regularly inspected for damage. Decommission defective products immediately. Replace damaged products. Repairs are not possible. • WARNING: Only electrically qualified personnel may install and operate the product. They must observe the following safety notes. The qualified personnel must be familiar with the basics of electrical engineering. They must be able to recognize and prevent danger. The relevant symbol on the packaging indicates that only personnel familiar with electrical engineering are allowed to install and operate the product. • The products are suitable for applications in plant, controller, and electrical device engineering. • When operating the connectors in outdoor applications, they must be separately protected against environmental influences. • Assembled products may not be manipulated or improperly opened. • Only use mating connectors that are specified in the technical data of the standards listed (e.g. the ones listed in the product accessories online at phoenixcontact.com/products). • When using the product in direct connection with third-party manufacturers, the user is responsible. • For operating voltages > 50 V AC, conductive connector housings must be grounded • Ensure that the protective or functional ground has been properly connected. • VDE 0100/1.97 § 411.1.3.2 and DIN EN 60 204/11.98 § 14.1.3 are applicable when combining several circuits in a cable and/or connector • Only use tools recommended by Phoenix Contact • The installation notes/Design In documents online on the download page at phoenixcontact.com/products must be observed for this product. • Operate the connector only when it is fully plugged in and interlocked. • Ensure that when laying the cable, the tensile load on the connectors does not exceed the upper limit specified in the standards. • Observe the minimum bending radius of the cable. Lay the cable without twisting it. • The connector warms up in normal operation. Depending on the ambient conditions, the surface of the connector can continue to warm up. In this case, the user is responsible for posting warnings (e.g. DIN EN ISO 13732-1:2008-12).
--------------------	---

SH-8EP008A8LDLS - Cable connector



1627077

<https://www.phoenixcontact.com/us/products/1627077>

Product properties

Product type	Circular connector (cable-side)
--------------	---------------------------------

Connector

Insulating body

Note	Order information: Crimp contacts, 4 x Ø1 mm, 5 x Ø2 mm, order separately
Coding	N
Insertion/withdrawal cycles	100
Connection method	Crimp connection
Contact switching type	Pin
Application	Hybrid
Number of positions	9
Direction of rotation	Standard
Connection profile	4+4+PE / 3+N+PE
Contact diameter Power contacts	2 mm
Litz wire cross-section Power contacts min.	0.25 mm ²
Litz wire cross-section Power contacts max.	4 mm ²
Rated current Power contacts	30 A
Note	for max. connection cross section
Rated voltage	630 V AC
Rated surge voltage	6 kV
Overvoltage category	III
Degree of pollution	3
Rated voltage (II/3) power contact	850 V DC
Rated voltage (III/3) power contact	630 V AC
Contact diameter Signal contacts	1 mm
Litz wire cross-section Signal contacts min.	0.06 mm ²
Litz wire cross-section Signal contacts max.	1 mm ²
Nominal current per signal contact	8 A
Note	for max. connection cross section
Rated voltage Signal contact	50 V
Rated surge voltage	1.5 kV
Overvoltage category	III
Degree of pollution	3
Rated voltage (III/3) signal contact	50 V
Installation height	2000 m

Housing

Notes on operation	The suitability for assembly must be checked when fully assigned with maximum wire cross sections.
--------------------	--

SH-8EP008A8LDLS - Cable connector



1627077

<https://www.phoenixcontact.com/us/products/1627077>

Housing material	Metal
Type of locking	SPEEDCON
Pg screw connection	none
Degree of protection (plugged in)	IP67
	IP68
	IP69K
Thread type	M23

Seal

External cable diameter	7.5 mm ... 18 mm
-------------------------	------------------

Environmental and real-life conditions

Ambient conditions

Ambient temperature (operation)	-40 °C ... 115 °C (see derating curve)
---------------------------------	--

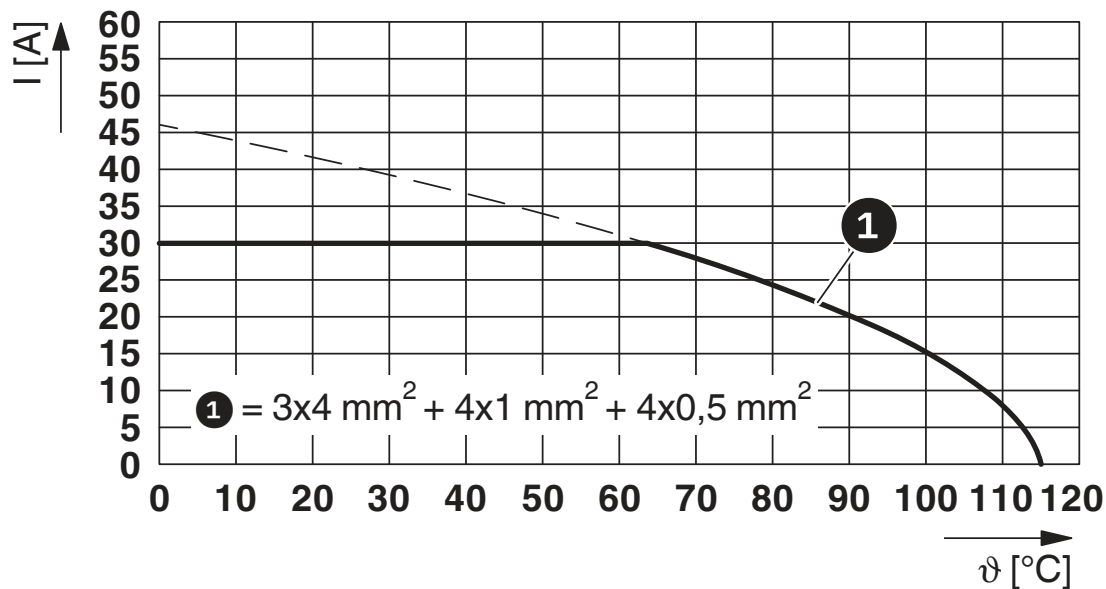
SH-8EP008A8LDLS - Cable connector

1627077

<https://www.phoenixcontact.com/us/products/1627077>

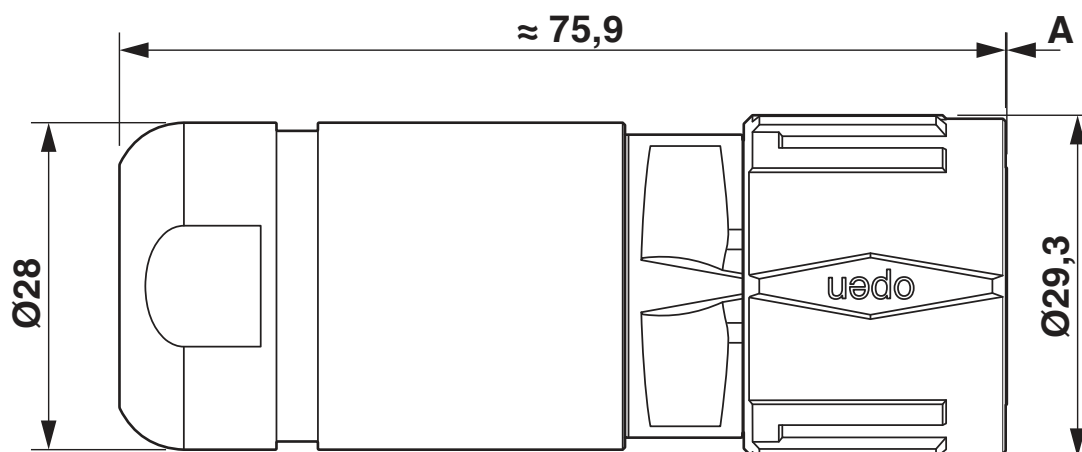
Drawings

Diagram



I = current strength, ϑ = ambient temperature, power contacts A-C: 3 x up to 30 A, signal contacts: 4 x 2 A constant, data contacts: 4 x 1 A constant

Dimensional drawing



Pin version: dimension $A = 0.2$ mm, socket version: dimension $A = 0$ mm

SH-8EP008A8LDLS - Cable connector



1627077

<https://www.phoenixcontact.com/us/products/1627077>

Classifications

ECLASS

ECLASS-11.0	27440102
ECLASS-12.0	27440116
ECLASS-13.0	27440116

ETIM

ETIM 8.0	EC002635
----------	----------

UNSPSC

UNSPSC 21.0	39121400
-------------	----------

SH-8EP008A8LDLS - Cable connector



1627077

<https://www.phoenixcontact.com/us/products/1627077>

Environmental product compliance

REACH SVHC	Lead 7439-92-1
China RoHS	Environmentally Friendly Use Period = 50 years
	For information on hazardous substances, refer to the manufacturer's declaration available under "Downloads"

SH-8EP008A8LDLS - Cable connector

1627077

<https://www.phoenixcontact.com/us/products/1627077>



Accessories

SF-Z0028 - Torque screwdriver

1607456

<https://www.phoenixcontact.com/us/products/1607456>



Torque screwdriver, series: RC

SF-Z0068 - Square mounting flange

1620927

<https://www.phoenixcontact.com/us/products/1620927>



Square mounting flange, 4xM3, flange dimensions: 38 mm x 38 mm, series: SF, Alternative product in accordance with RoHS II without Exemption 6c (Pb <0.1%) item no.: 1244326

SH-8EP008A8LDLS - Cable connector

1627077

<https://www.phoenixcontact.com/us/products/1627077>

KC-88014311/1,00 - Hybrid cable

1623127

<https://www.phoenixcontact.com/us/products/1623127>



Hybrid cable, series: KSH, M23-Socket, angled, rotatable, -120° left/120° right, number of positions: 4+4+4+PE, Type of locking: SPEEDCON, cable length: 1 m, shielded: yes, color of outer sheath: orange RAL 2003

KC-88014311/100,00 - Hybrid cable

1623039

<https://www.phoenixcontact.com/us/products/1623039>



Hybrid cable, series: KSH, M23-Socket, angled, rotatable, -120° left/120° right, number of positions: 4+4+4+PE, Type of locking: SPEEDCON, cable length: 100 m, shielded: yes, color of outer sheath: orange RAL 2003

SH-8EP008A8LDLS - Cable connector



1627077

<https://www.phoenixcontact.com/us/products/1627077>

KC-88014311/20,00 - Hybrid cable

1622080

<https://www.phoenixcontact.com/us/products/1622080>



Hybrid cable, series: KSH, M23-Socket, straight, number of positions: 4+4+4+PE, Type of locking: SPEEDCON, cable length: 20 m, shielded: yes, color of outer sheath: orange RAL 2003

M23 HYBRID_CONTACT-SAMPLE-SET - Sample set

1623252

<https://www.phoenixcontact.com/us/products/1623252>



Sample set consisting of 4x Ø 1.0 mm, 4x Ø 0.8 mm, 5x Ø 2.0 mm socket and pin contacts for M23 hybrid connectors. Contacts included: 1621573, 1618464, 1621577, 1621575, 1618458, 1621580

SH-8EP008A8LDLS - Cable connector

1627077

<https://www.phoenixcontact.com/us/products/1627077>



SH-Z0077 - Metal protective cap

1627226

<https://www.phoenixcontact.com/us/products/1627226>



Metal protective cap, degree of protection: IP67, Alternative product in accordance with RoHS II without Exemption 6c (Pb <0.1%) item no.: 1245449

SH-Z2300 - Metal protective cap

1622141

<https://www.phoenixcontact.com/us/products/1622141>



Metal protective cap, degree of protection: IP67, Alternative product in accordance with RoHS II without Exemption 6c (Pb <0.1%) item no.: 1244542

SH-8EP008A8LDLS - Cable connector



1627077

<https://www.phoenixcontact.com/us/products/1627077>

ST-10KP010 - Crimp contact

1618255

<https://www.phoenixcontact.com/us/products/1618255>



Crimp contact, Pin, turned, Single contact, contact diameter: 1 mm, crimp range: 0.06 mm² ... 0.25 mm², Alternative product in accordance with RoHS II without Exemption 6c (Pb <0.1%) item no.: 1243215

ST-10KP035 - Crimp contact

1618458

<https://www.phoenixcontact.com/us/products/1618458>



Crimp contact, Pin, turned, contact diameter: 1 mm, crimp range: 0.25 mm² ... 1 mm², Alternative product in accordance with RoHS II without Exemption 6c (Pb <0.1%) item no.: 1243215

SH-8EP008A8LDLS - Cable connector

1627077

<https://www.phoenixcontact.com/us/products/1627077>

SF-20KP021 - Crimp contact

1621579

<https://www.phoenixcontact.com/us/products/1621579>



Crimp contact, Pin, turned, contact diameter: 2 mm, crimp range: 0.25 mm² ... 1 mm², Alternative product in accordance with RoHS II without Exemption 6c (Pb <0.1%) item no.: 1244464

SF-20KP022 - Crimp contact

1621580

<https://www.phoenixcontact.com/us/products/1621580>



Crimp contact, Pin, turned, contact diameter: 2 mm, crimp range: 1.5 mm² ... 2.5 mm², Alternative product in accordance with RoHS II without Exemption 6c (Pb <0.1%) item no.: 1244464

SH-8EP008A8LDLS - Cable connector



1627077

<https://www.phoenixcontact.com/us/products/1627077>

SF-20KP023 - Crimp contact

1621581

<https://www.phoenixcontact.com/us/products/1621581>



Crimp contact, Pin, turned, contact diameter: 2 mm, crimp range: 2.5 mm² ... 4 mm², Alternative product in accordance with RoHS II without Exemption 6c (Pb <0.1%) item no.: 1244465

SF-08KP010 - Crimp contact

1621574

<https://www.phoenixcontact.com/us/products/1621574>



Crimp contact, Pin, turned, contact diameter: 0.8 mm, crimp range: 0.08 mm² ... 0.25 mm², Alternative product in accordance with RoHS II without Exemption 6c (Pb <0.1%) item no.: 1244458

SH-8EP008A8LDLS - Cable connector



1627077

<https://www.phoenixcontact.com/us/products/1627077>

SF-08KP020 - Crimp contact

1621575

<https://www.phoenixcontact.com/us/products/1621575>



Crimp contact, Pin, turned, contact diameter: 0.8 mm, crimp range: 0.34 mm² ... 0.5 mm², Alternative product in accordance with RoHS II without Exemption 6c (Pb <0.1%) item no.: 1244459

SF-Z0064 - Color-coding

1620585

<https://www.phoenixcontact.com/us/products/1620585>

Color-coding, color: green



SH-8EP008A8LDLS - Cable connector



1627077

<https://www.phoenixcontact.com/us/products/1627077>

SF-Z0065 - Color-coding

1620586

<https://www.phoenixcontact.com/us/products/1620586>

Color-coding, color: orange



SF-Z0066 - Color-coding

1620587

<https://www.phoenixcontact.com/us/products/1620587>

Color-coding, color: black



Phoenix Contact 2023 © - all rights reserved
<https://www.phoenixcontact.com>

Phoenix Contact USA
586 Fulling Mill Road
Middletown, PA 17057, United States
(+717) 944-1300
info@phoenixcon.com