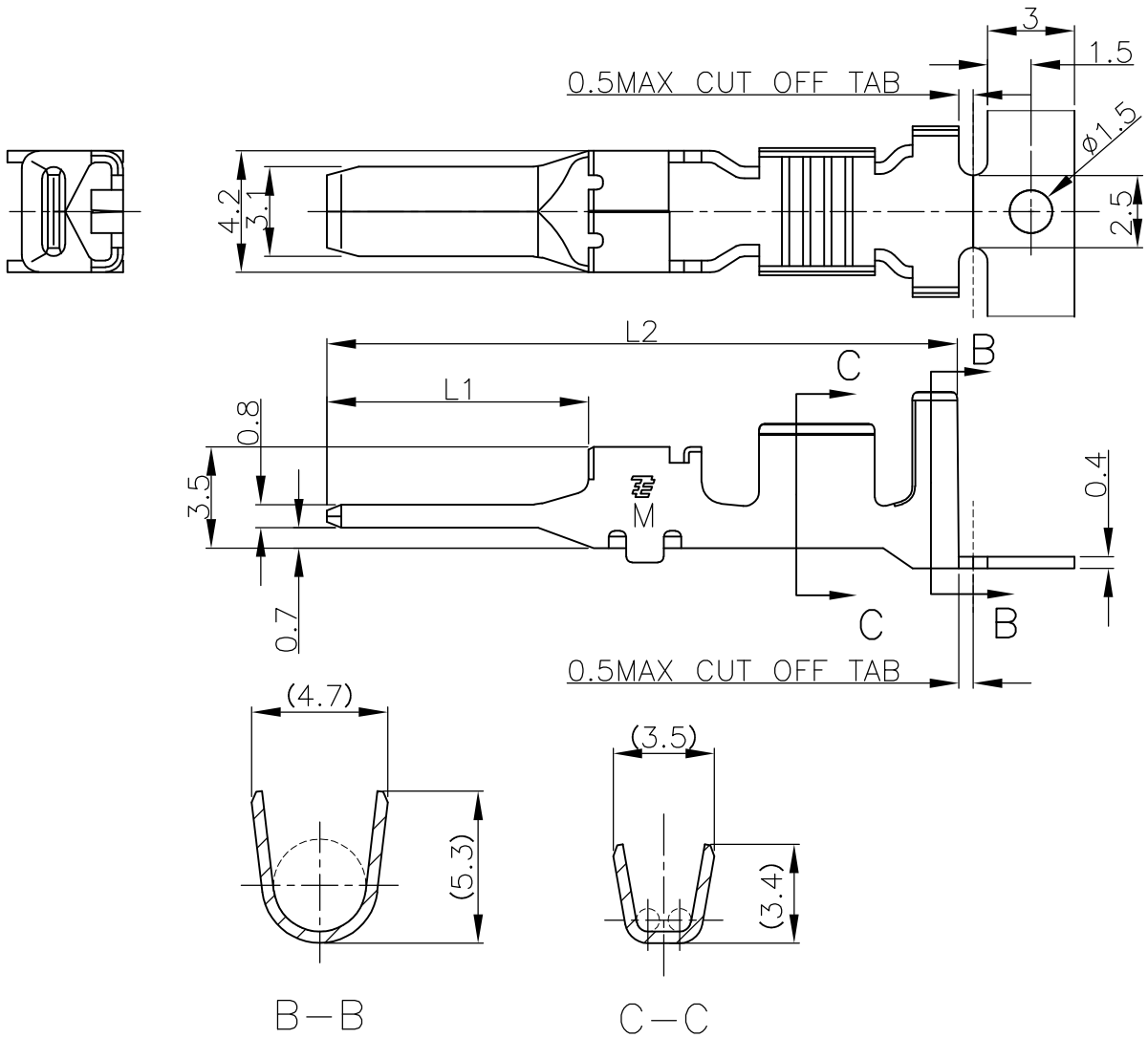


LOC J	DIST /	REVISIONS 変更			DATE	DWN	APVD
P	LTR	DESCRIPTION			10AUG2010	T.T	T.M
	A	REVISED ECR-10-016584					



M SIZE

- 1. 一般公差 : ±0.25
- 2. 材料 : 2材料 : 銅合金全面Niめっき1.3μm以上
接点部金めっき0.38μm以上めっき
- 3. 適用電線 : AWG#16-#14 (被覆外径 φ2.0~φ3.75)

- 1. GENERAL TOLERANCE: ±0.25
- 2. MATERIAL: COPPER ALLOY, FINISH: OVER NI PLATING 1.3um MIN.
(CONTACT AREA) 0.38um MIN GOLD PLATING
- 3. APPLICABLE WIRE: AWG#16-#14 (INS DIAφ2.0~φ3.75)

25.5	12.75	1-1747419-2
21.8	9.05	1747419-2
L2	L1	PART NUMBER

THIS DRAWING IS UNPUBLISHED. AUG, 2004. ALL INTERNATIONAL RIGHTS RESERVED.

COPYRIGHT 2004 BY TYCO ELECTRONICS CORPORATION.

DIMENSIONS: 単位: 耗 mm TOLERANCES UNLESS OTHERWISE SPECIFIED: 一般公差 0 PLC ± - 1 PLC ± - 2 PLC ± - 3 PLC ± - 4 PLC ± - ANGLES ± -	DWN T.KUDO 26AUG2004	MATERIAL 材料 COPPER ALLOY	FINISH 仕上 -			
	CHK D.MITSUGI 26AUG2004	Tyco Electronics Corporation Kawasaki, Japan				
	APVD D.MITSUGI 26AUG2004					
	PRODUCT SPEC 製品規格 108-78182	NAME 名称 DYNAMIC D-4200 TAB CONTACT M SIZE	SIZE A4	CAGE CODE 00779	DRAWING NO 番号 1747419	RESTRICTED TO -
APPLICATION SPEC 取付適用規格 114-5369	WEIGHT -	CUSTOMER DRAWING		SCALE 尺度 4:1	SHEET 1 OF 1	REV A