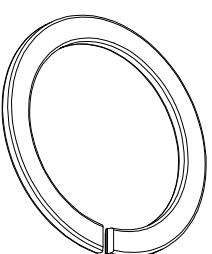
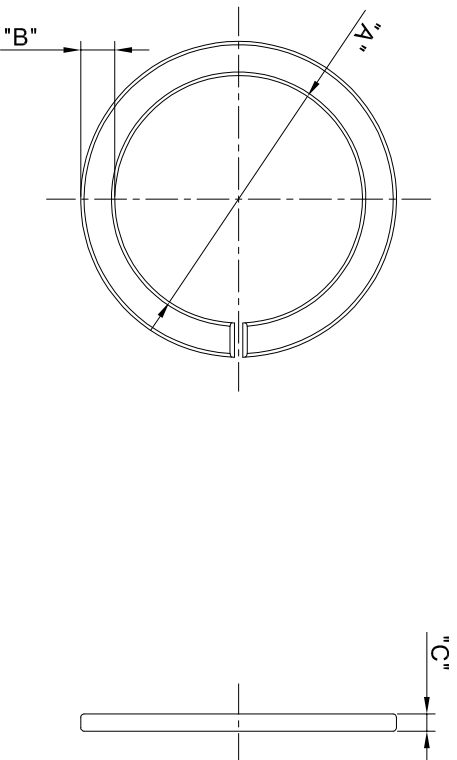


REVISIONS				
REV	ECO	DESCRIPTION	DATE	BY APPR
A1		FIRST RELEASED	Apr.05.2016	Drack Tommy
A2		UPDATE THE NOTES	Jul.20.2016	Drack Tommy
A3		ADD 16# & 18# PART	Nov.22.2017	Nick Tommy



SHELL	P/N	DIM A	DIM B	DIM C
8#	RTS8CCRX	Ø11.2	2.0	1.0
10#	RTS10CCRX	Ø14.5	2.0	1.0
12#	RTS12CCRX	Ø18.5	1.9	1.2
14#	RTS14CCRX	Ø21.7	1.9	1.8
16#	RTS16CCRX	Ø24.2	1.9	1.0
18#	RTS18CCRX	Ø27.6	1.9	1.0

"X" DENOTE COLOR:
 WHEN "X"="G", GREEN, PANTONE 348C.
 WHEN "X"="R", RED, PANTONE 194C.
 WHEN "X"="Y", YELLOW, PANTONE 123C.

NOTES : (UNLESS OTHERWISE SPECIFIED)
 1. MATERIAL : THERMOPLASTIC , UI94 V-0.

2. SPECIFICATIONS :
 2.1. OPERATING TEMPERATURE : -40°C ~ 125°C.
 2.2. ROHS COMPLIANT.

3. ALL DIMENSIONS ARE FOR REFERENCE USE ONLY.

QUANTITY	PART NUMBER	DESCRIPTION	ITEM
		MATERIALS LIST	

UNLESS OTHERWISE SPECIFIED 1) All dimensions are in millimeters. 2) Tolerances are as follows: 1 Pt. DEC 40.30 Fractions .1"=14 3 Pt. DEC 40.08 Angles .1°	SIGNATURES	DATE	Amphenol Sine Systems - www.amphenol-sine.com 44724 Morley Drive Clinton Township, MI 48036
3) Note reference =	DRAWN: NIK	NOV/22/07	
	CHECKED: JOD	NOV/22/07	
MATERIAL SPECIFICATIONS:	ENGINEER:	APPROVAL:	
PROCESS SPECIFICATIONS:	CUSTOMER: Tommy	NOV/22/07	
NEXT ASST:			

THIS DRAWING IS SUPPLEMENTARY TO THE AMPHENOL SPECIFICATIONS AND PERFORMANCE DATA. THE AMPHENOL CORPORATION ASSUMES NO RESPONSIBILITY FOR REPRODUCTION ERRORS OR MANUFACTURING VARIATIONS.	SIZE	TYPE	DWG NO.	REVISION
	B	C-	RTSXCCRX	A3
SCALE: NONE	SHEET	1	OF	1

TTITLE:ECO-MATE IDENTIFY RING,SIZE 08,10,12,14,16,18

DWG NO:

RTSXCCRX

REV: A3

SH: 1

OF: 1