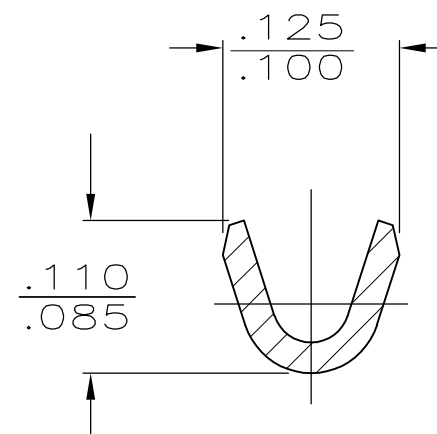
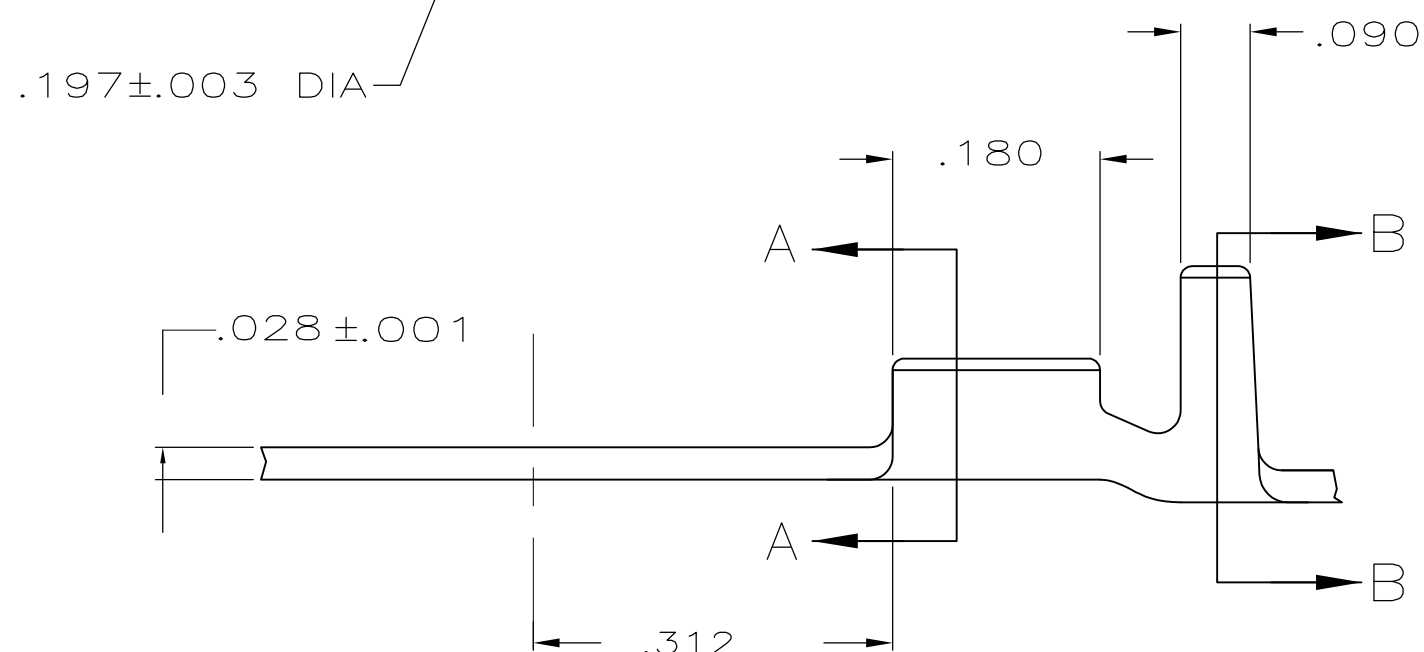
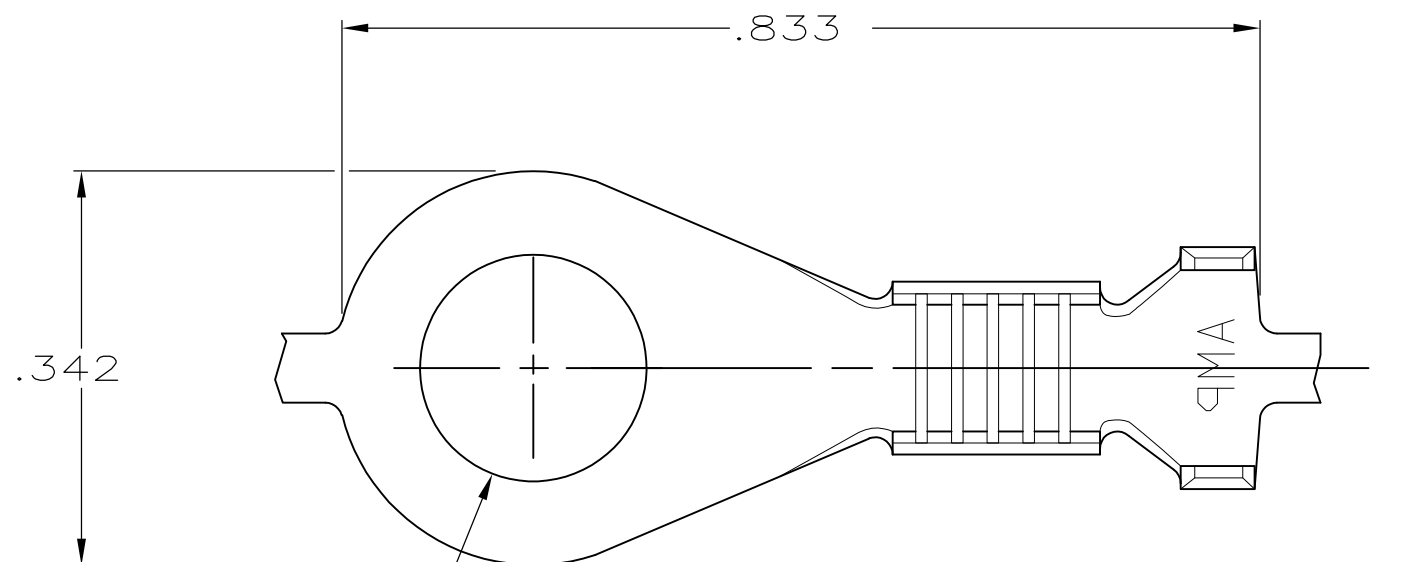
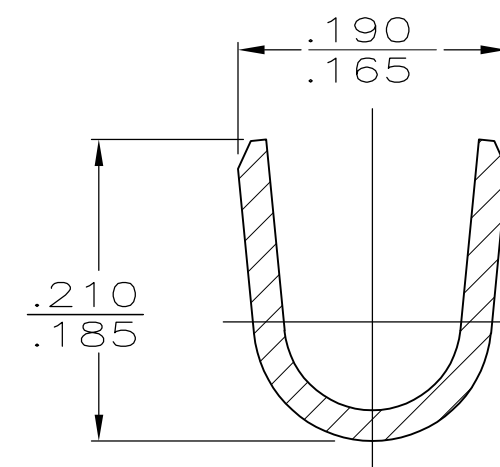


THIS DRAWING IS UNPUBLISHED. RELEASED FOR PUBLICATION
 © COPYRIGHT - By TYCO ELECTRONICS CORPORATION. ALL RIGHTS RESERVED.

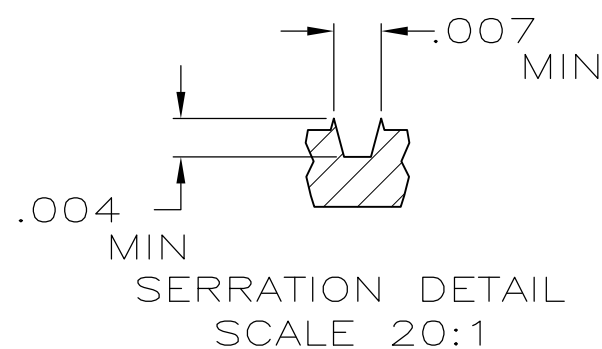
LOC	DIST	REVISIONS					
AF	50	P	LTR	DESCRIPTION	DATE	DWN	APVD
		J		REVISE PER ECR-13-013738	15FEB2014	GRZ	JL



SECTION A-A
SCALE 8:1



SECTION B-B
SCALE 8:1



TIN PL	.100-.140	23-19	60319-2
	.100-.140	23-19	60319-1
FINISH	INSULATION RANGE	MAGNET WIRE SIZE	PART NO

THIS DRAWING IS A CONTROLLED DOCUMENT.		DWN P FORTNEY 6/4/87	TE Connectivity NAME RING,AMPLIVAR			
DIMENSIONS: INCHES		CHK G YETTER 1/6/88				
TOLERANCES UNLESS OTHERWISE SPECIFIED:		APVD RP FRANTZ 1/7/88				
0 PLC ± - 1 PLC ± - 2 PLC ± - 3 PLC ± .015 4 PLC ± - ANGLES ± -		PRODUCT SPEC TL SHUTTER 1/12/88				
MATERIAL BRASS	FINISH SEE TABLE	APPLICATION SPEC -	SIZE A3	CAGE CODE 00779	DRAWING NO C-60319	RESTRICTED TO -
CUSTOMER DRAWING			SCALE 6:1	SHEET 1 OF 1	REV J	