

MICRO SWITCH

FREEPORT ILLINOIS, U.S.A
A DIVISION OF HONEYWELL INC.
FED. MFG. CODE 91929

SWITCH - BASIC

CATALOG LISTING

V3-3057

CK-X3557

REPLACES X83370-V3

RELEASE NO. PR-14328

V3-3057

M

DRAWING NUMBER

ISSUE X2

CHECK

REVISIONS

A CO 74212
D H D
20 JAN 93

CHECK

14 NOV 85

14 NOV 85

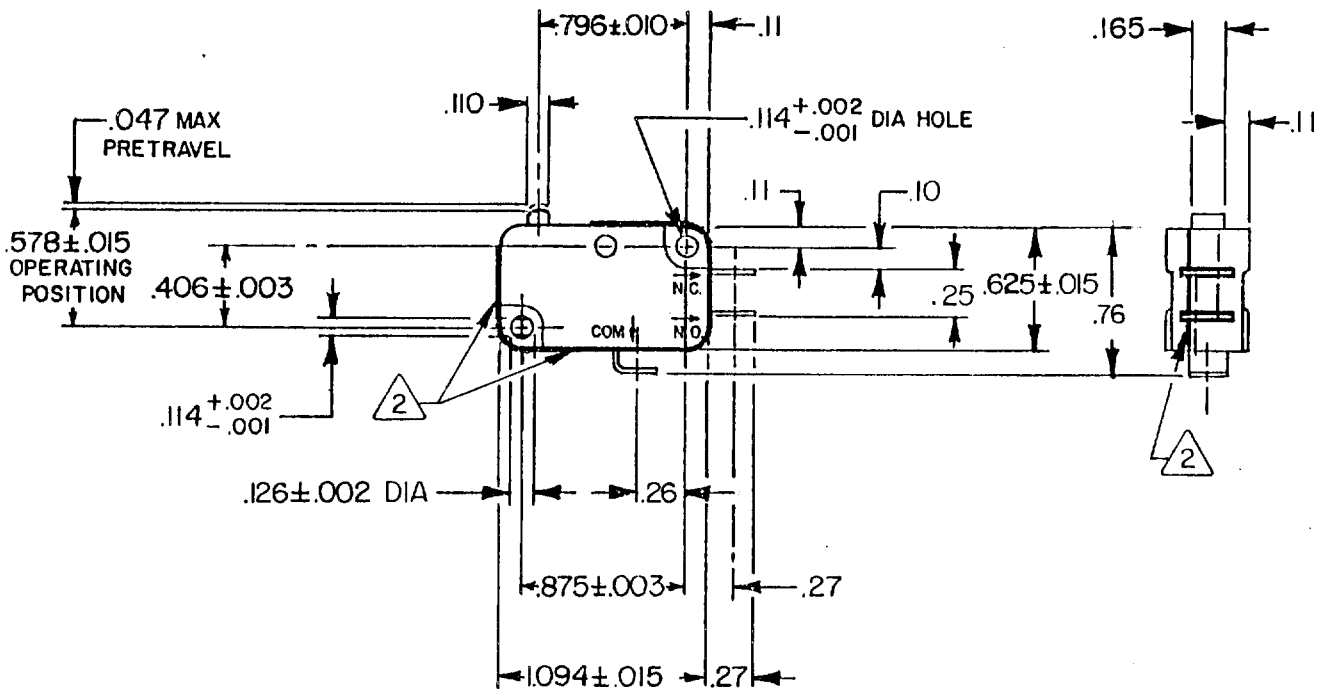
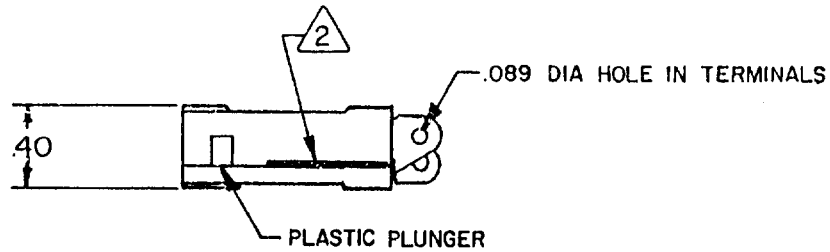
14 NOV 85

14 NOV 85

14 NOV 85

14 NOV 85

14 NOV 85

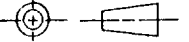


NOTES

- 1 - TERMINALS ARE PLATED FOR SOLDERING
- 2 - EPOXY APPLIED AROUND TERMINAL AREA AND JOINT BETWEEN CASE AND COVER. EPOXY ON TOP OF THE SWITCH TO BE WIPED OFF FLUSH WITH CASE & COVER

THIS DRAWING COVERS A PROPRIETARY ITEM AND IS THE PROPERTY OF MICRO SWITCH, A DIVISION OF HONEYWELL. THIS DRAWING IS NOT TO BE COPIED OR USED WITHOUT THE APPROVAL OF MICRO SWITCH.

THIRD ANGLE PROJECTION



CHARACTERISTICS

OPERATING FORCE --- 150 GRAM MAX

RELEASE FORCE --- 15 GRAM MIN

DIFFERENTIAL TRAVEL --- .002-.010

OVERTRAVEL --- .050 MIN

FREE POSITION --- .625 MAX

RELEASE TRAVEL --- .010 MIN

ELECTRICAL DATA

CONTACT ARRANGEMENT
S P D T

L112

10A 1/3 HP 125 OR 250 VAC
1/2A 125 VDC, 1/4A 250 VDC
4A 125 VAC "L"



SCALE FULL

DO NOT SCALE PRINT

UNLESS OTHERWISE SPECIFIED TOLERANCES ARE

ONE PLACE (.0) ± .030

TWO PLACE (.00) ± .015

THREE PLACE (.000) ± .005

ANGLES ±

RAW MATERIAL - COMMERCIAL STANDARD

DIMENSIONS ARE IN INCHES AND ARE TO BE MET BEFORE PROTECTIVE COATINGS ARE APPLIED

MICRO SWITCH STANDARDS APPLY

WEIGHT .016 LB

FC-52848-B

DRAWN

14 NOV 85