

## Single and Dual-Channel Safety Edge Controllers

for use with All Safety Edges and Safety Bumpers

- Power requirements
  - 120 VAC or 24 VDC is acceptable for the SCC-1224 single channel units
  - 24 VDC is acceptable for SCC-2124/2224 dual channel units
- Inputs
  - Single channel units accept a single two-wire edge or bumper system
  - Dual channel units accept 1 or 2 two-wire edge or bumper systems
- Outputs
  - Single channel units have two safety outputs and one auxiliary output for signaling
  - Dual channel units have either 1 or 2 safety outputs, and either 1 or 2 auxiliary outputs with DIP switch selection for input channel relationship
- External Device Monitoring –EDM is provided on all units with a N/C loop between Z1 and Z2
- Monitored Reset Modes
  - Monitored manual reset mode that requires closure of the reset circuit followed by opening of the circuit is available on all units
  - Automatic reset mode that occurs upon closure of the reset circuit is available on all units
- Delayed Auxiliary Output – Delayed opening of the auxiliary output for reversal of a door or gate may be selected on all units except SCC1224ND



E

## Specifications

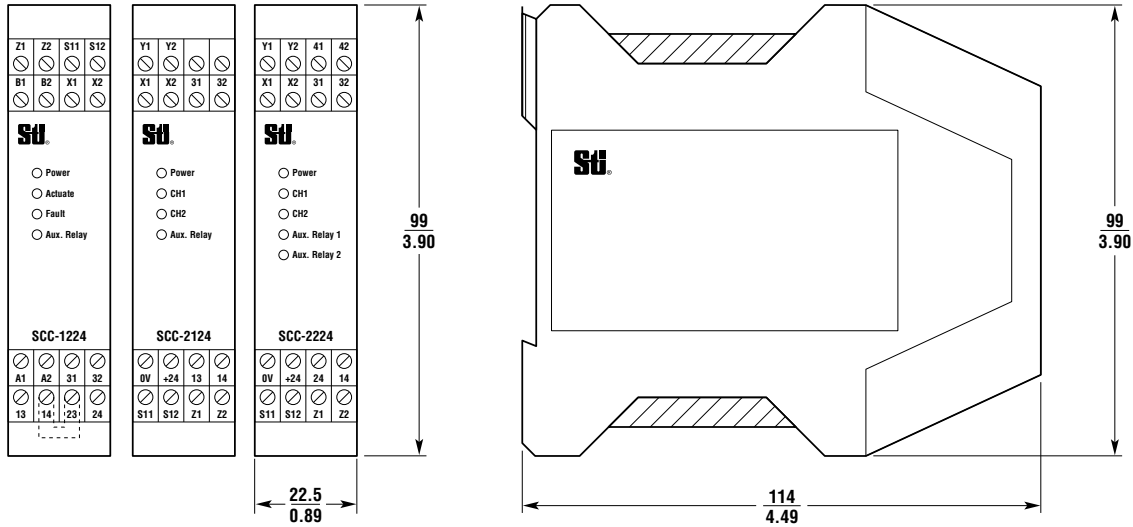
	SCC-1224 & SCC-1224ND DIN Mount, 115 VAC or 24 VAC/DC Single Input, Safety Output and Aux.	SCC-2124 DIN Mount, 24 VDC Dual Independent Inputs, Single Safety Output and Aux.	SCC-2224 DIN Mount, 24 VDC Dual Independent Inputs, Safety Outputs and Aux.
<b>Performance</b>			
Category 3 Safety Device:	Yes		
Operating Area:	Up to 5 sensing devices with a total cable length of max. 25 m in series	Up to 5 sensing devices with a total cable length of max. 25 m in series	
Response Time:	< 13 msec.	< 2 ms	
Indications:	Power – Main power supply = Green Actuate – Edge is depressed = Yellow Fault – Detect an irregular signal = Red Aux. Actuate – Activate Aux. output = Orange	Power – Main power supply = Green CH1 – Edge is depressed = Yellow CH2 – Edge is depressed = Yellow Aux. Relay 1 – Activate Aux. output = Orange	Power – Main power supply = Green CH1 – Edge is depressed = Yellow CH2 – Edge is depressed = Yellow Aux. Relay 1 – Activate Aux. output = Orange Aux. Relay 2 – Activate Aux. output = Orange
Operational Modes (Selectable):	Automatic Start Start/Restart Interlock		
<b>Electrical</b>			
Power Input:	115 VAC, 50/60 Hz, 3 VA or 24 VAC/DC ± 10%, 1.5 W	24 VAC/DC ± 10%, 1 W	
Safety Output:	2 N/O Relay	1 N/O Relay (13 = input + 24 VDC, +10/-50%)	2 N/O Relay (+24 VDC Internally Connected)
Maximum Switched Current:	4 A, 250 VAC / 4 A, 30 VDC	2 ADC, 10 to 26.4 VDC	2 ADC, 10 to 26.4 VDC
Auxiliary Relay Output:	SCC-1224: Activates after approx. 1 s for approx. 3 s if the sensing device is actuated or faulty; SCC-1224ND: Activates if the sensing device is actuated or if a sensing device fault is detected	1 N/O When using the NO DELAY function, the auxiliary relay switches synchronously with the safety edge actuation	2 N/O When using the NO DELAY function, the auxiliary relay switches synchronously with the safety edge actuation
Maximum Switched Current:	4A, 250 VAC / 4A, 30 VDC	2A AC/DC, 50 V AC/DC	2A AC/DC, 50 V AC/DC
Terminal Blocks:	Cage Clamp Terminal Strip Wire Size 0.75-1.5 mm <sup>2</sup>		
Input Connections:	1-2 wire edge sensor circuit		
Input Resistance:	8.2 K ohm		
Input Voltage:	6 V ±2%		
Input Current:	1 mA		
<b>Mechanical</b>			
Enclosure:	Polyamide PA6.6, Self-extinguishing in accordance with UL-94-V2		
Mounting:	35 mm DIN rail		
<b>Environmental</b>			
Protection Rating:	IP20		
Operating Temperature:	-20 to 55°C (-4 to 131°F)		
Shipping Weight:	210 g (7.4 oz.)	160 g (5.6 oz.)	
Standards Conformity:	CE, TUV		
Designed to Meet or Exceed:	Category 3, EN13849-1		

Specifications are subject to change without notice.

E

## Dimensions

(mm/in.)



E

## Installation

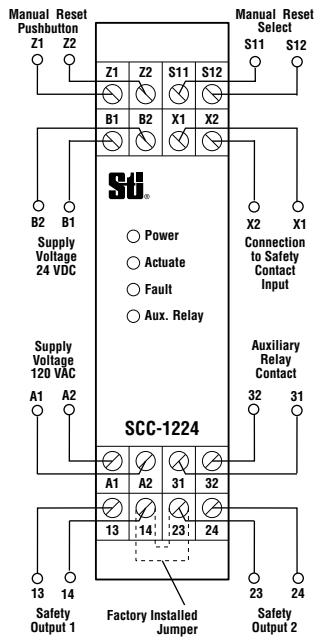
### Mounting

The SCC controllers are DIN rail mounted.

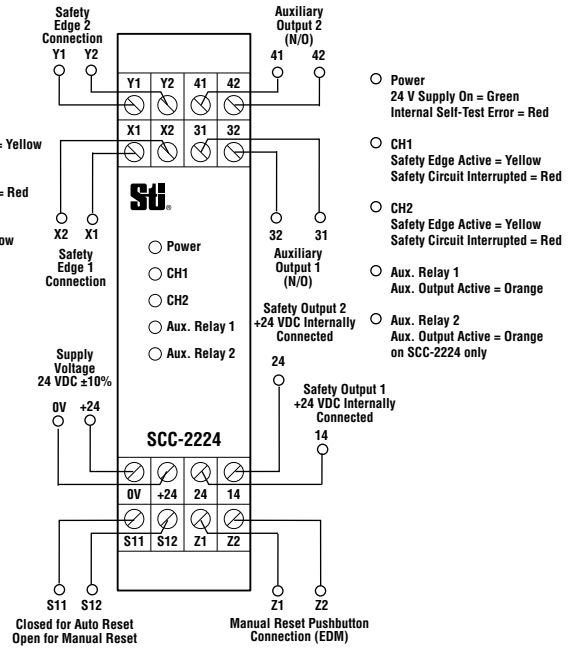
### Wiring

As with any electrical apparatus, caution must be used when installing, connecting and operating the SCC controllers and safety edges. Please observe all local electrical codes.

SCC-1224 and SCC-1224ND



SCC-2124 and SCC-2224



## Ordering

Description	Model Number	Part Number
Single-Channel Safety Edge Din-Mount Controller for use with all safety edges, 120 VAC or 24 VDC; Auxiliary contact closes on activation of safety edge for 2 to 3 seconds then opens (even if edge remains activated)	SCC-1224	43872-0020
Single-Channel Safety Edge Din-Mount Controller for use with all safety edges, 120 VAC or 24 VDC; Auxiliary contact closes when the edge is activated and remains closed as long as the edge is activated	SCC-1224ND	43872-0021
Dual-Channel Safety Edge Din-Mount Controller for use with all safety edges, 24 VDC; One safety output and one auxiliary output dip switch selectable for delayed opening	SCC-2124	43872-0040
Dual-Channel Safety Edge Din-Mount Controller for use with all safety edges, 24 VDC; Two safety outputs and two auxiliary outputs dip switch selectable for delayed opening	SCC-2224	43872-0050

For information on Safety Edges, see page E2

For information on Safety Bumpers, see page E12