

# Input / Output Modules

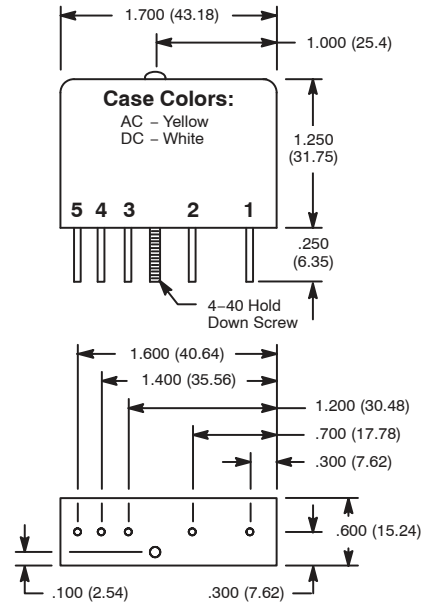
## RIM Series



## Input Digital Modules D28

### Features

- 4KV Optical Isolation
- Industry Standard Packaging
- Plugs into Standard I/O Module Mounting Board
- Industry Standard Color Code (AC=Yellow, DC=White)
- AC & DC Types



### INPUT SPECIFICATIONS

| NTE Type No. | Nominal Input Voltage | Input Voltage |          | Input Control Max mA | Drop Out Current | Allowable Input For NO Output | Diag No. |
|--------------|-----------------------|---------------|----------|----------------------|------------------|-------------------------------|----------|
|              |                       | Min           | Max      |                      |                  |                               |          |
| RIM-IAC5     | 120 VAC               | 90 Vrms       | 140 Vrms | 10                   | 2.5mA            | 3.0mA                         | D28A     |
| RIM-IAC15    | 120 VAC               | 90 Vrms       | 140 Vrms | 10                   | 2.5mA            | 3.0mA                         | D28A     |
| RIM-IAC5A    | 240 VAC               | 180 Vrms      | 280 Vrms | 10                   | 1.5mA            | 2.0mA                         | D28A     |
| RIM-IAC15A   | 240 VAC               | 180 Vrms      | 280 Vrms | 10                   | 1.5mA            | 2.0mA                         | D28A     |
| RIM-IAC24A   | 240 VAC               | 180 Vrms      | 280 Vrms | 10                   | 1.5mA            | 2.0mA                         | D28A     |
| RIM-IDC5     | 5 - 28 VDC            | 10 VDC        | 36 VDC   | 34                   | 1.0mA            | 1.5mA                         | D28B     |
| RIM-IDC24    | 5 - 28 VDC            | 3.3 VDC       | 32 VDC   | 34                   | 1.0mA            | 1.5mA                         | D28B     |

### OUTPUT SPECIFICATIONS

| NTE Type No. | Nom. Logic Supply Vltg. | Logic Supply Vltg. |        | Max Logic Supply Current | Maximum Output |          | Max Output Leakage Curr. | Max Output Vltg. Drop | Diag No. |
|--------------|-------------------------|--------------------|--------|--------------------------|----------------|----------|--------------------------|-----------------------|----------|
|              |                         | Min                | Max    |                          | Volts          | Current  |                          |                       |          |
| RIM-IAC5     | 5.0 VDC                 | 2.75 VDC           | 6 VDC  | 16mA DC                  | 30 VDC         | 50mA ADC | 10µA DC                  | 200mV DC              | D28A     |
| RIM-IAC15    | 15 VDC                  | 12 VDC             | 18 VDC | 16mA DC                  | 30 VDC         | 50mA ADC | 10µA DC                  | 200mV DC              | D28A     |
| RIM-IAC5A    | 5 VDC                   | 2.75 VDC           | 6 VDC  | 16mA DC                  | 30 VDC         | 50mA ADC | 10µA DC                  | 200mV DC              | D28A     |
| RIM-IAC15A   | 15 VDC                  | 12 VDC             | 18 VDC | 16mA DC                  | 30 VDC         | 50mA ADC | 10µA DC                  | 200mV DC              | D28A     |
| RIM-IAC24A   | 24 VDC                  | 20 VDC             | 30 VDC | 16mA DC                  | 30 VDC         | 50mA ADC | 10µA DC                  | 200mV DC              | D28A     |
| RIM-IDC5     | 5 VDC                   | 2.75 VDC           | 6 VDC  | 16mA DC                  | 30 VDC         | 50mA ADC | 10µA DC                  | 200mV DC              | D28B     |
| RIM-IDC24    | 24 VDC                  | 20 VDC             | 30 VDC | 16mA DC                  | 30 VDC         | 50mA ADC | 10µA DC                  | 200mV DC              | D28B     |

## Electrical Specifications

### Environmental

**Operating:** -30°C to +80°C

**Storage:** -40° to +100°C

### Operational Characteristics

**Max Turn-On Time:** 20ms (AC Modules),  
1ms (DC Modules)

**Max Turn-Off Time:** 30ms (AC Modules),  
1ms (DC Modules)

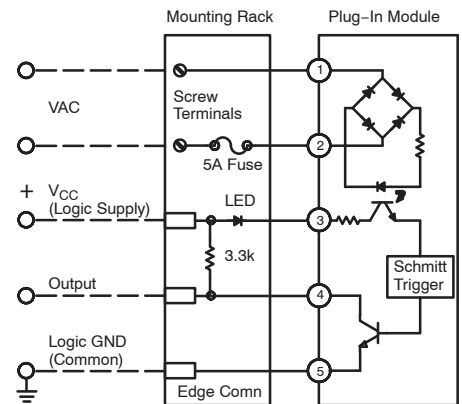
### Insulation Characteristics

**Input to Output Isolation Voltage:** 4000 VRMS

### ACCESSORIES

| MOUNTING STYLES | DESCRIPTION       | NTE TYPE NO. |
|-----------------|-------------------|--------------|
| DIN RAIL MOUNT  | 2-POSITION SOCKET | RLY9142      |

### Diagram A - AC Input



### Diagram B - DC Input

