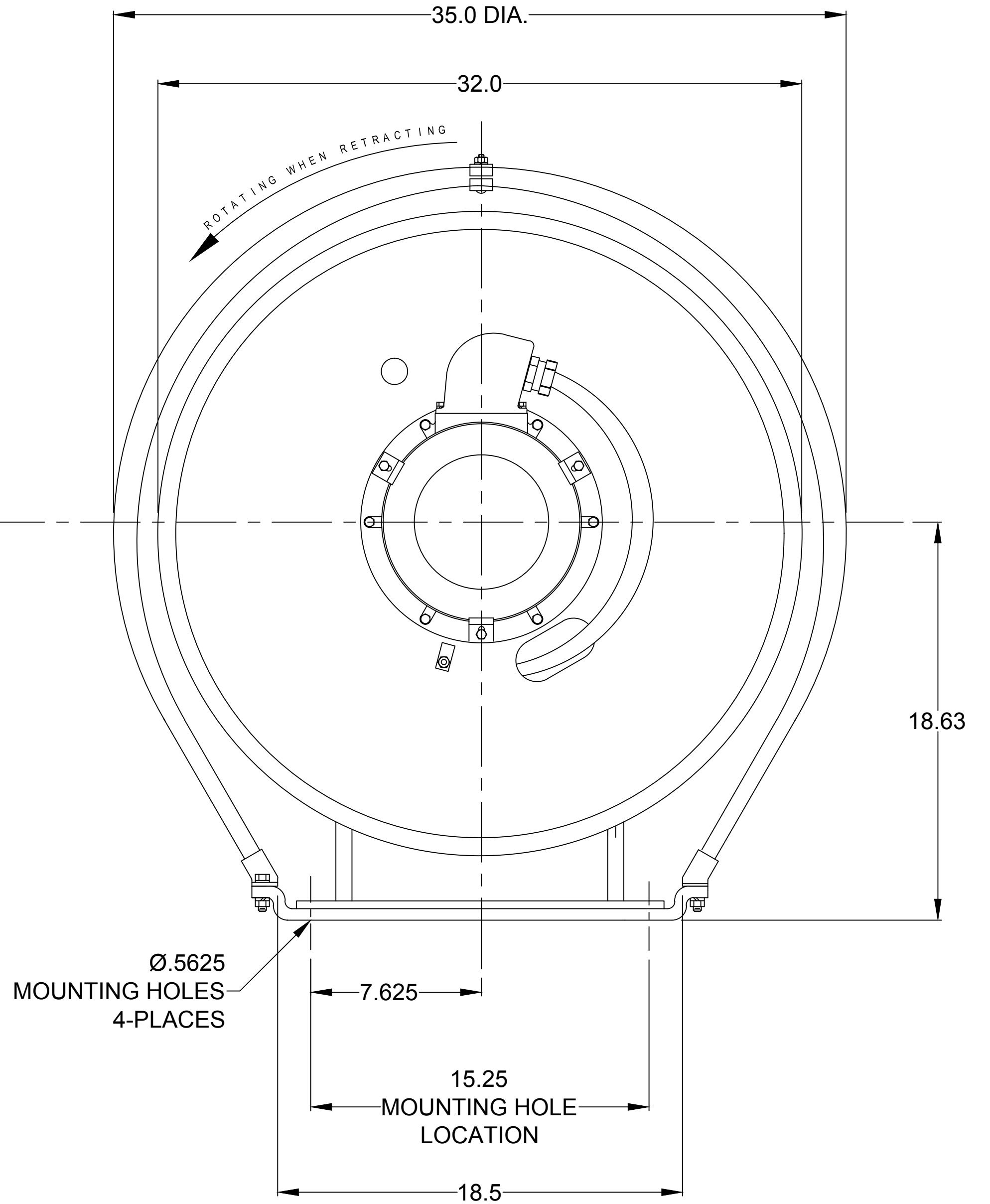
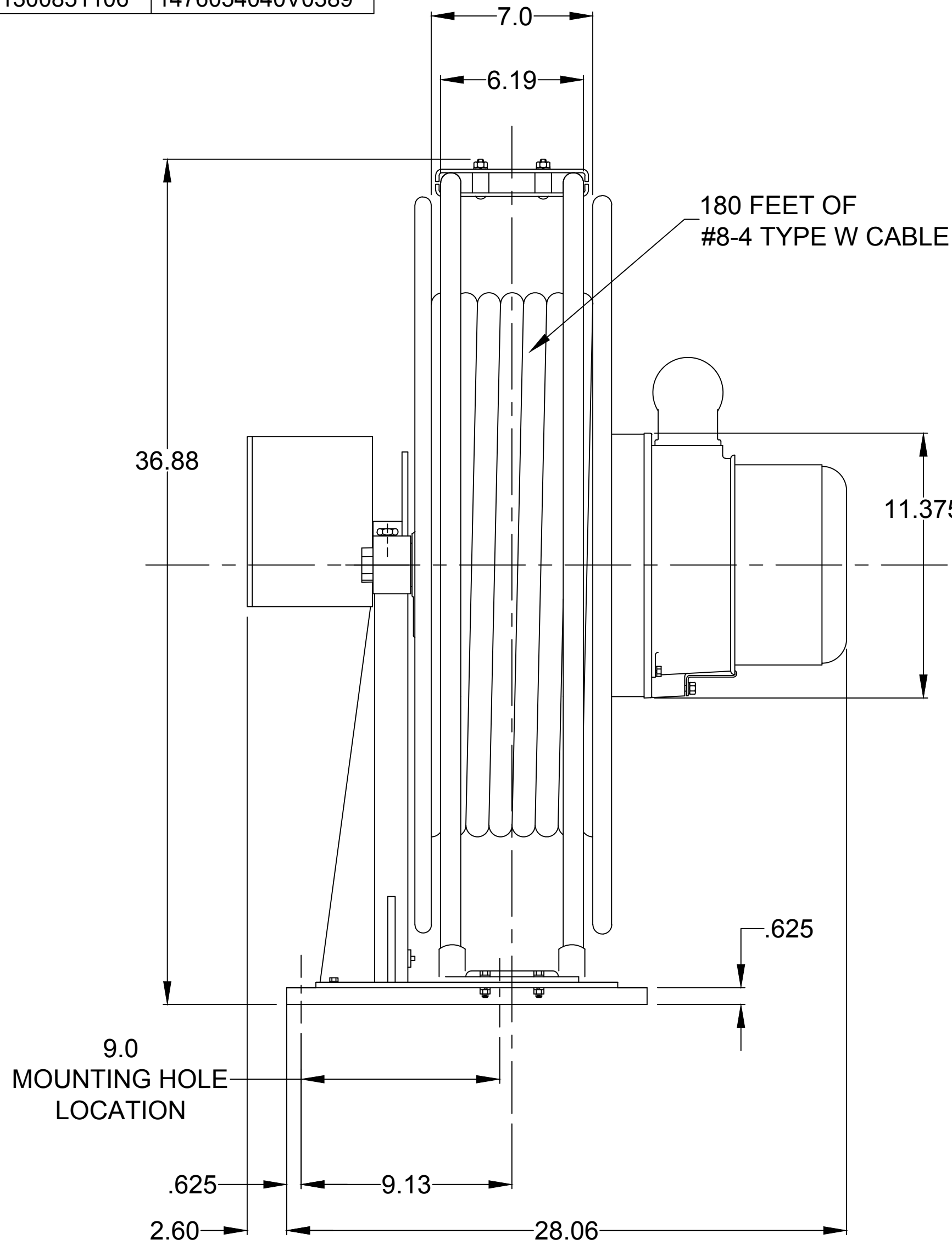


MATERIAL #	ENGINEERING #
1300851106	1476054040V0389



RELEASE SALES DWG EC NO: IFCG2016-0529 DRWN: HRUIZ01 2015/10/07 CH'KD: HKNEELAN 2015/10/07 APPR: JFMURPHY 2015/11/19	QUALITY SYMBOL	GENERAL TOLERANCES (UNLESS SPECIFIED)	DIMENSION STYLE	SCALE	DESIGN UNITS	THIRD ANGLE PROJECTION														
	$\nabla=0$ $\sphericalangle=0$	<table border="1"> <thead> <tr> <th></th> <th>mm</th> <th>INCH</th> </tr> </thead> <tbody> <tr> <td>4 PLACES</td> <td>±---</td> <td>±---</td> </tr> <tr> <td>3 PLACES</td> <td>±---</td> <td>±.005</td> </tr> <tr> <td>2 PLACES</td> <td>±---</td> <td>±.010</td> </tr> <tr> <td>1 PLACE</td> <td>±---</td> <td>±.020</td> </tr> </tbody> </table>		mm	INCH		4 PLACES	±---	±---	3 PLACES	±---	±.005	2 PLACES	±---	±.010	1 PLACE	±---	±.020	INCH	NTS
		mm	INCH																	
	4 PLACES	±---	±---																	
	3 PLACES	±---	±.005																	
2 PLACES	±---	±.010																		
1 PLACE	±---	±.020																		
REV	DESCRIPTION	DRAWN BY: HRUIZ01 DATE: 2015/10/07 CHECKED BY: HKNEELAN DATE: 2015/10/07 APPROVED BY: JFMURPHY DATE: 2015/11/19	TITLE	14760540405 CABLE REEL 180 FEET #8-4 TYPE W																
A		MATERIAL NO.: 1300851106 DOCUMENT NO.: SD-130085-012 SHEET NO.: 1 OF 1	MOLEX INCORPORATED																	
		DRAFT WHERE APPLICABLE MUST REMAIN WITHIN DIMENSIONS	THIS DRAWING CONTAINS INFORMATION THAT IS PROPRIETARY TO MOLEX INCORPORATED AND SHOULD NOT BE USED WITHOUT WRITTEN PERMISSION																	