

710 Series

Electromechanical Hour Meter



The model 710 AC hour meters are widely used in panel applications where number size and visibility are critical. Its tough, Lexan bezel and distinctive styling enhance appearance and durability.

Key Features

- Ideal for a wide range of applications and requirements
- Large figures provide an easy-to-read display
- Tough Lexan case for improved durability
- Non-reset
- Options include:
 - Private label faceplates
 - Bracket mount (721-0003)
 - Gasket (721-0004)

Applications

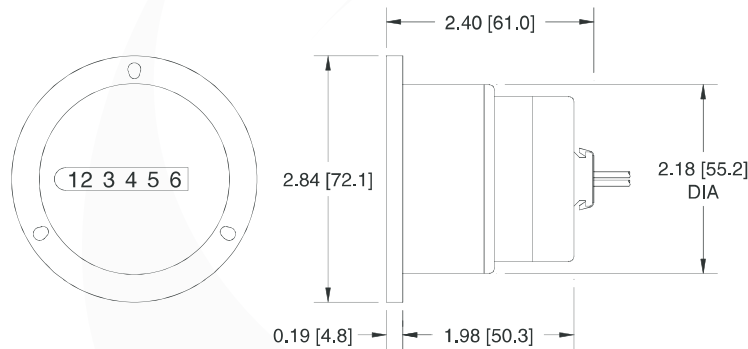
- Office equipment
- Control Panels
- Industrial Equipment
- Test Equipment
- Compressors
- plus many more...

Specification

Figures	6 figure, 99999.9 (non-reset), 0.19" [5mm] high
Reset	Non-reset
Voltages	24, 115 or 230VAC, (+/-10%), 50 or 60 Hz.
Power	3 watts
Mount	Panel (3-hole)
Terminations	8" [203.2mm] wire leads or terminal block
Temp. Range	-20°F to +160°F [-29°C to +71°C]
Approvals	UL recognised, CE compliant, ROHS, UKCA
Weight	6 oz. [170g]

Dimensions

8" [203mm] Wire Leads



Mounting holes: For #4 screws on 2.44" [62.0] B.C. and #6 screws pm 2.53" [64.3] B.C.
Panel cutout: 2.21" [56.1] Dia.

Part Numbers

710-0001	115VAC/60Hz, non-reset, 99,999.9 hrs, 8" [203mm] wire leads
710-0002	115VAC/60Hz, non-reset, 99,999.9 hrs, terminal block
710-0003	230VAC/60Hz, non-reset, 99,999.9 hrs, 8" [203mm] wire leads
710-0006	24VAC/60Hz, non-reset, 99,999.9 hrs, 8" [203mm] wire leads
710-0024	24VAC/60Hz, non-reset, 99,999.9 hrs, terminal block

