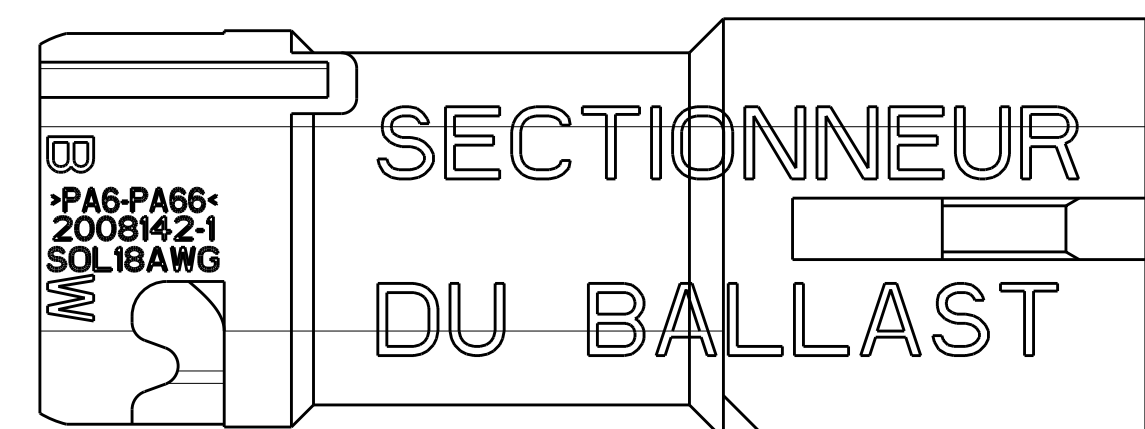
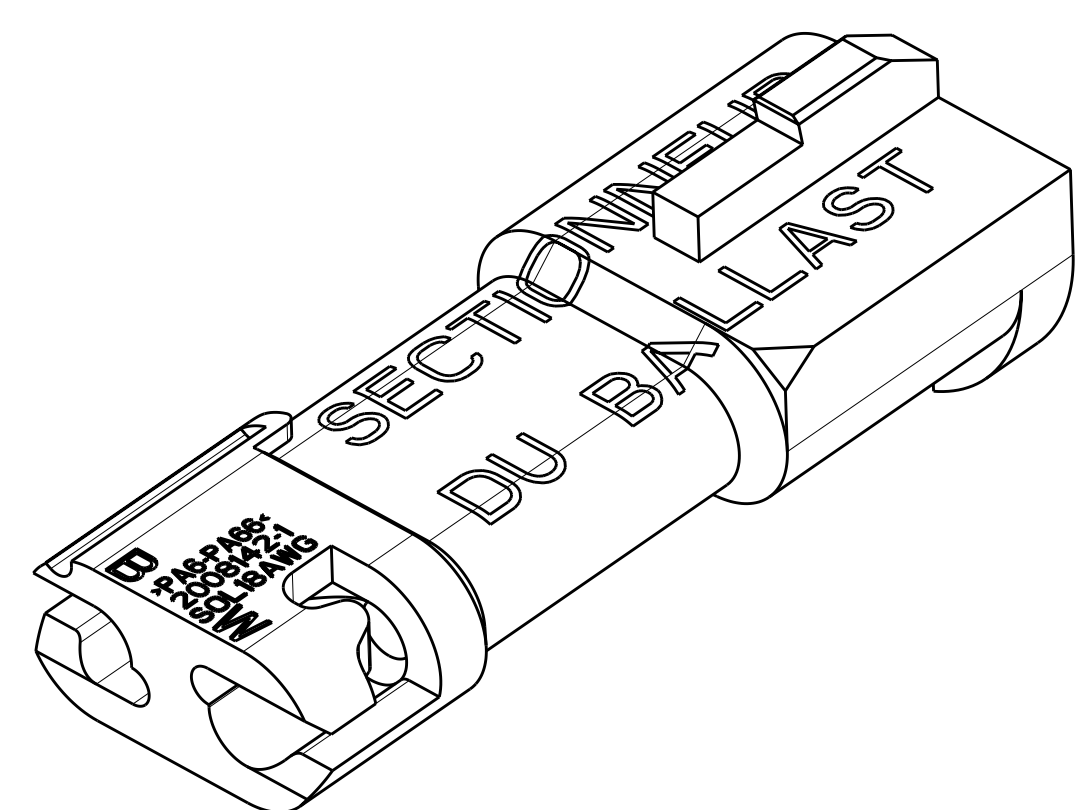


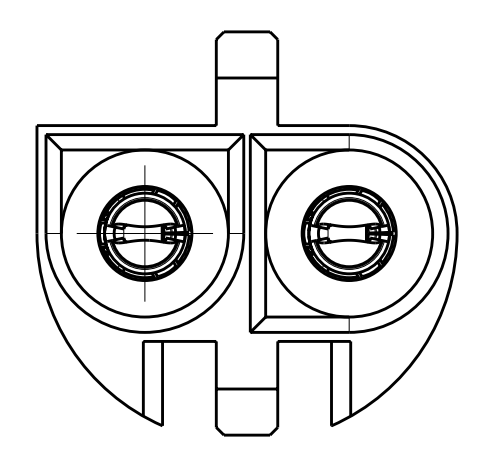
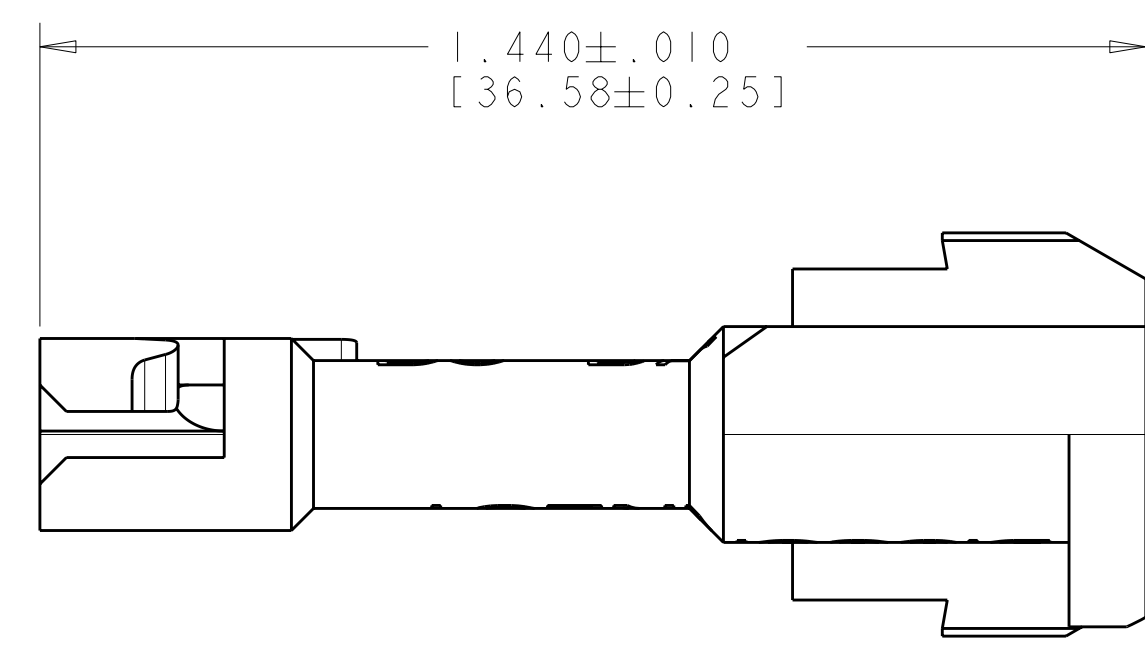
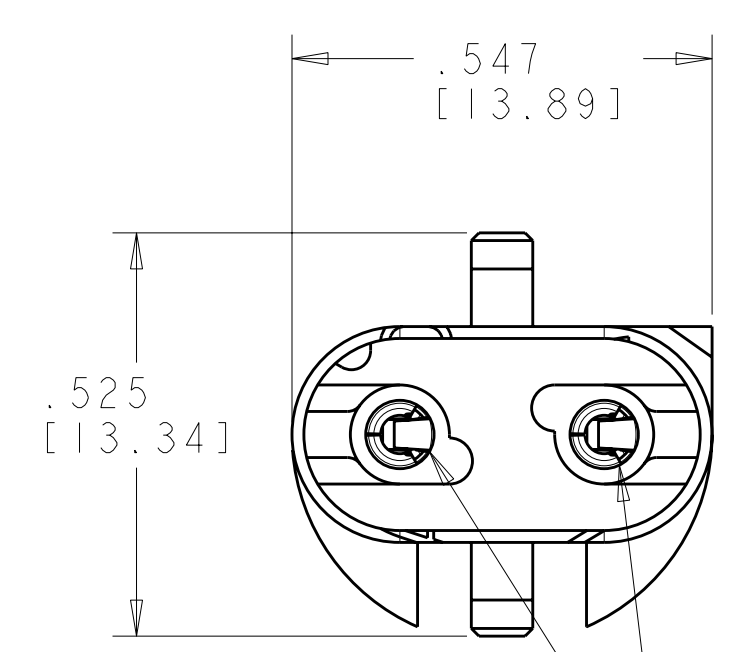
REVISONS		DATE	DWN	APVD
1	AI	REVISED PER ECO-09-028539	05JAN2010	SS DD



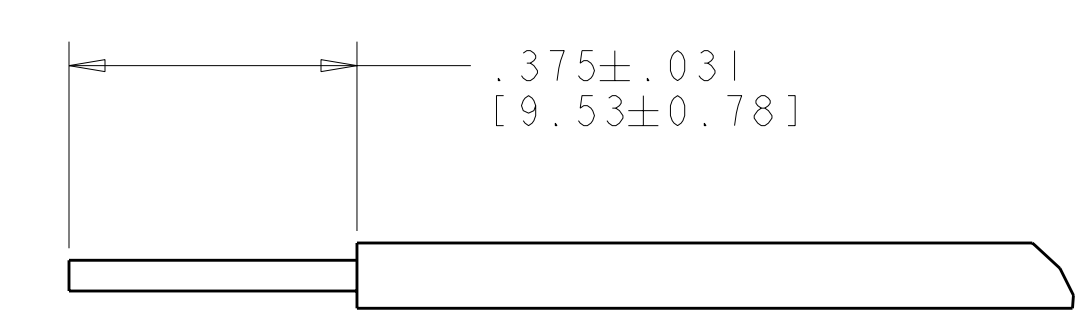
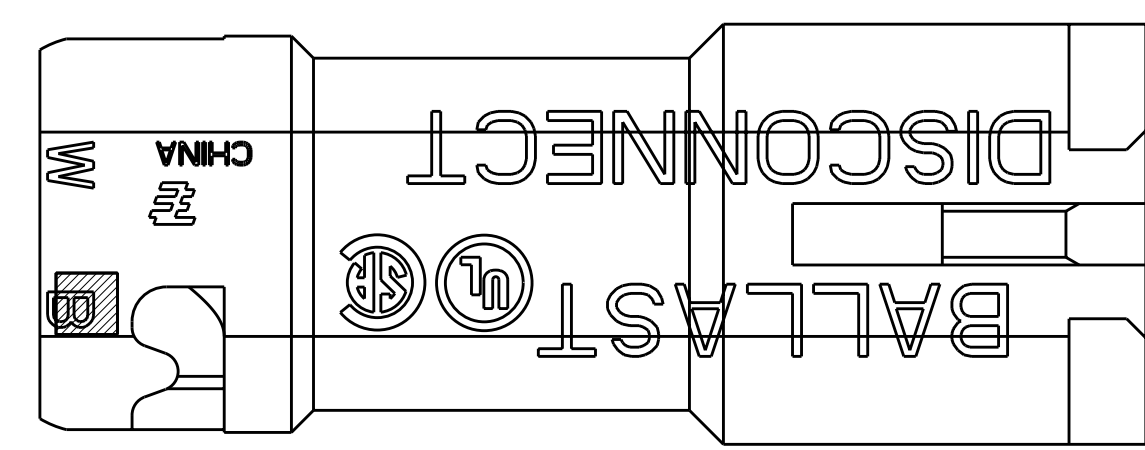
△ MATERIAL:
 HOUSING: POLYAMIDE, COLOR: NATURAL
 CONTACTS: PHOSPHOR BRONZE
 INK: BLACK

△ FINISH:
 CONTACTS: TIN PLATED

3. SEE INSTRUCTION SHEET: 408-10153



ACCEPTS 18 AWG SOLID WIRE
 WITH .086 [2.18] MAX INSULATION DIAMETER



RECOMMENDED WIRE STRIP LENGTH

UNMARKED	2008142-2
MARKED	2008142-1
REMARKS	PART NUMBER

<small>THIS DRAWING IS UNPUBLISHED. RELEASED FOR PUBLICATION BY TYCO ELECTRONICS CORPORATION. ALL RIGHTS RESERVED.</small>		DWN C. DAILY 23APR2007	Tyco Electronics Harrisburg, PA 17105-3608	
<small>THIS DRAWING IS UNPUBLISHED. RELEASED FOR PUBLICATION BY TYCO ELECTRONICS CORPORATION. ALL RIGHTS RESERVED.</small>		CHK J. LANDIS 23APR2007	NAME ASSEMBLY, RECEPTACLE, 2 POSITION, PT LIGHT-N-LOK	
<small>THIS DRAWING IS UNPUBLISHED. RELEASED FOR PUBLICATION BY TYCO ELECTRONICS CORPORATION. ALL RIGHTS RESERVED.</small>		APVD -	PRODUCT SPEC 108-2275	RESTRICTED TO
<small>THIS DRAWING IS UNPUBLISHED. RELEASED FOR PUBLICATION BY TYCO ELECTRONICS CORPORATION. ALL RIGHTS RESERVED.</small>		APVD -	APPLICATION SPEC 114-13204	SIZE CAGE CODE DRAWING NO A 00779 C=2008142
<small>THIS DRAWING IS UNPUBLISHED. RELEASED FOR PUBLICATION BY TYCO ELECTRONICS CORPORATION. ALL RIGHTS RESERVED.</small>		MATERIAL △	WEIGHT -	SCALE 4:1 SHEET 1 OF 1 REV A1
<small>THIS DRAWING IS UNPUBLISHED. RELEASED FOR PUBLICATION BY TYCO ELECTRONICS CORPORATION. ALL RIGHTS RESERVED.</small>		FINISH △	CUSTOMER DRAWING	