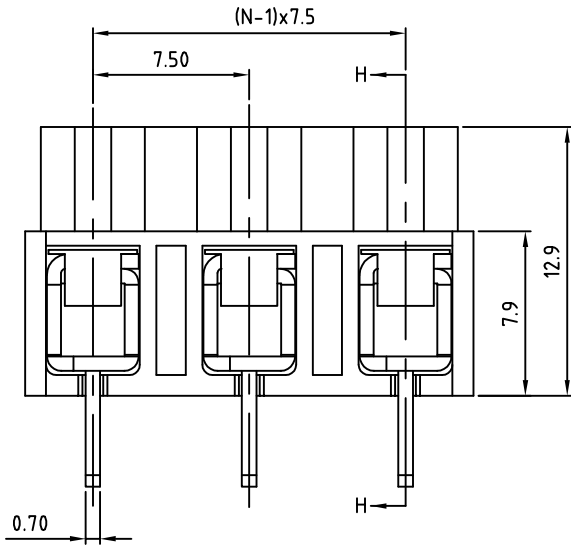
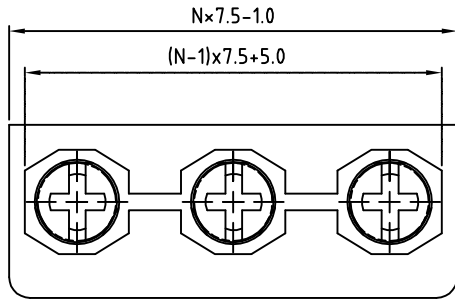
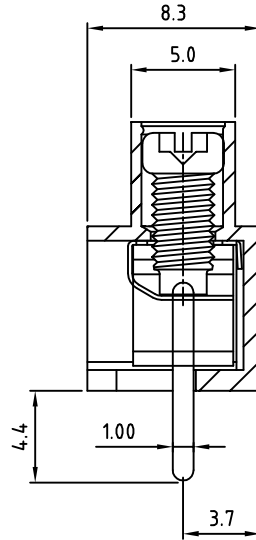
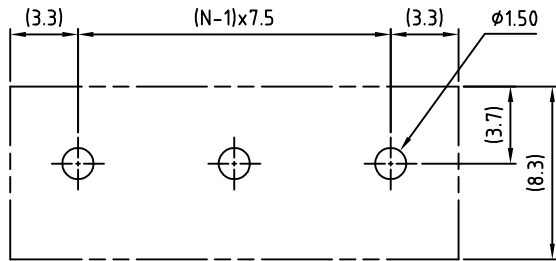


SIGN	DATE	DESCRIPTION	APPROVER
		<i>THIS IS CAD DRAWING, DO NOT REVISE MANUALLY!!!</i>	



N=Number of poles

P.C.B LAYOUT



SECTION H-H

Material

- Terminal body
- (metal housing): Brass Stamped
- Terminal screw: Steel Zinc plating "+/-" slot type
- Wire guard: Stainless steel
- Surface of solder tail: Tin plated
- Insulator (housing): Thermoplastic (UL94V-0)

Electrical cULus/VDE

- Voltage rating: 300VAC/450VAC
- Current rating: 10A/17.5A
- Wire range: 0.75-1.5mm²
- Solid wire(AWG): 12-20
- Stranded wire(AWG): 12-20
- Torque: 3.5Lb-In/0.4Nm
- Screw: M3
- Wire strip length: 6-7mm
- Withstanding Voltage: 1.6KV/2.5KV
- Operating temperature: -30°C to +105°C
- Soldering temperature: 250°C±10°C/5 Sec
- Safety Approval: (cULus) ⚠ PENDING

RoHS Compliant

PART NUMBER:

OSTT4XX2450

- No. of Poles
 - 02: 2 Poles
 - 03: 3 Poles
 -
 - 16: 16 Poles
- 5 Green

THESE DRAWINGS AND SPECIFICATIONS ARE THE PROPERTY OF ON-SHORE TECHNOLOGY, INC. AND SHALL NOT BE REPRODUCED, COPIED OR USED IN ANY MANNER WITHOUT THE PRIOR WRITTEN CONSENT OF ON-SHORE TECHNOLOGY, INC.



TITLE		OSTT4-7.5mm 2p-16p		DWG NO.		OSTT4XX2450.DWG	
PART NO.		OSTT4XX2450		CUST NO.			
APPROVED	CHECKED	DESIGNED	DRAWN	Tolerance			
Shi Jun 2006.10.19	Shi Jun 2006.10.19	xionghaitao 2006.10.19	xionghaitao 2006.10.19			UNIT: mm	X. ±0.50
						SCALE: NONE	X.X ±0.30
				SHEET: 01/01	REV: D	X.XX ±0.10	X° ±1°