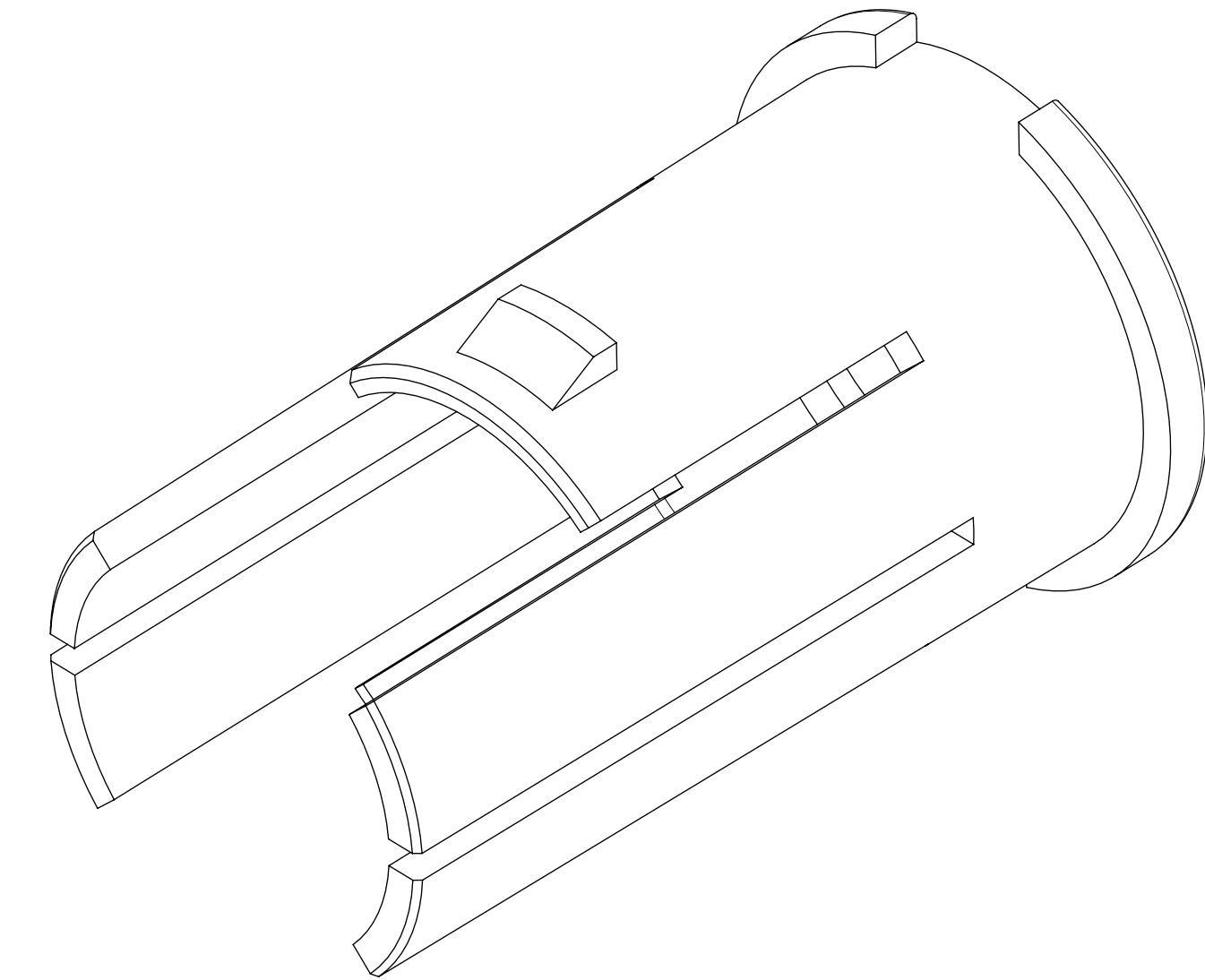
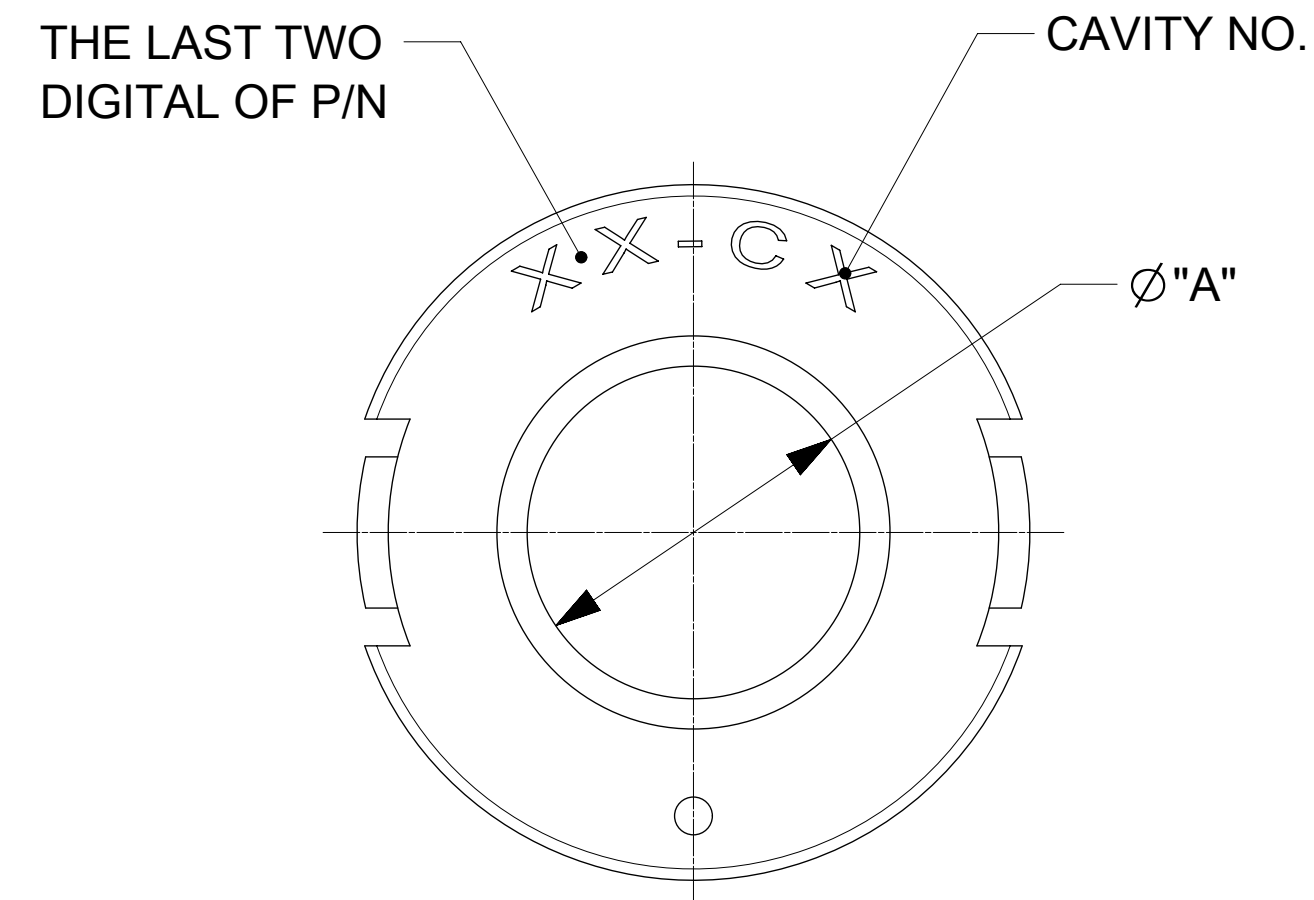


PART NUMBER	DIM "A"	NOTE
211888-0001	Ø 8.8	FOR 6 AWG CABLE
211888-0002	Ø 12.5	FOR 2 AWG CABLE
211888-0003	Ø 5.6	FOR 10 AWG CABLE
211888-0004	Ø 10.6	FOR 4 AWG CABLE
211888-0005	Ø 7.6	FOR 8 AWG CABLE



- NOTES:
1. MATERIAL: POLYESTER. COLOR: BLACK; UL94-V0
 2. PACKAGE SPECIFICATION: 2118880000-PK
 3. PRODUCT SPECIFICATION: 2119410000-PS
 4. APPLICATION SPECIFICATION: 2119410000-AS
 5. FOR 6MM CST HARNESS ASSEMBLY, SERIES 211941, 211945, 211948, 211952 ETC.
 6. RoHS COMPLIANT.

THIS DRAWING CONTAINS INFORMATION THAT IS PROPRIETARY TO MOLEX ELECTRONIC TECHNOLOGIES, LLC AND SHOULD NOT BE USED WITHOUT WRITTEN PERMISSION											
DIMENSION UNITS		SCALE		CURRENT REV DESC:						molex	
mm		2:1									
GENERAL TOLERANCES (UNLESS SPECIFIED)				EC NO: 654348						RETAINER FOR 6MM CST HARNESS ASSEMBLY	
ANGULAR TOL ± °				DRWN: TOMLU 2021/01/14						PRODUCT CUSTOMER DRAWING	
4 PLACES ±				CHK'D: BPISZCZOR 2021/02/02						DOCUMENT NUMBER	
3 PLACES ±				APPR: BPISZCZOR 2021/02/02						DOC TYPE	
2 PLACES ± 0.15				INITIAL REVISION:						DOC PART	
1 PLACE ± 0.25				DRWN: TOMLU 2019/02/20						REVISION	
0 PLACES ±				APPR: BPISZCZOR 2019/08/02						2118880000-SD	
DRAFT WHERE APPLICABLE MUST REMAIN WITHIN DIMENSIONS				THIRD ANGLE PROJECTION		DRAWING		SERIES		MATERIAL NUMBER	
				D-SIZE		211888		CUSTOMER		SEE CHART	
										SHEET NUMBER	
										1 OF 1	