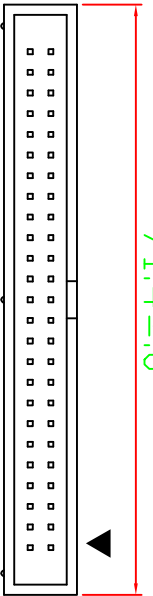
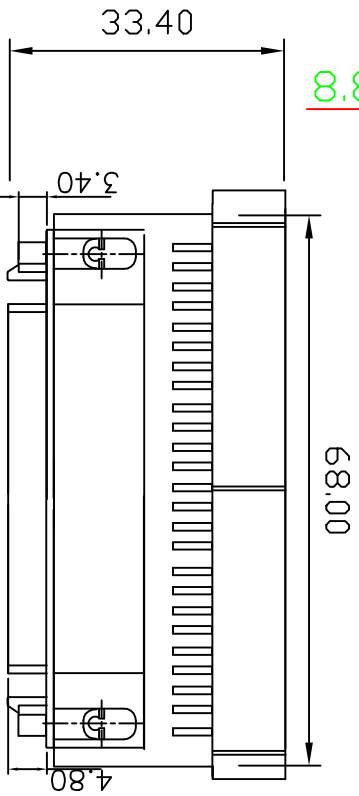


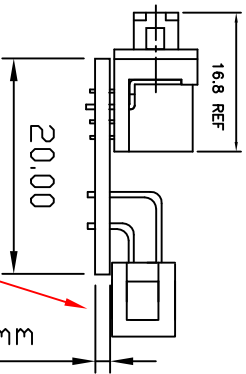
PIN ASSIGNMENT



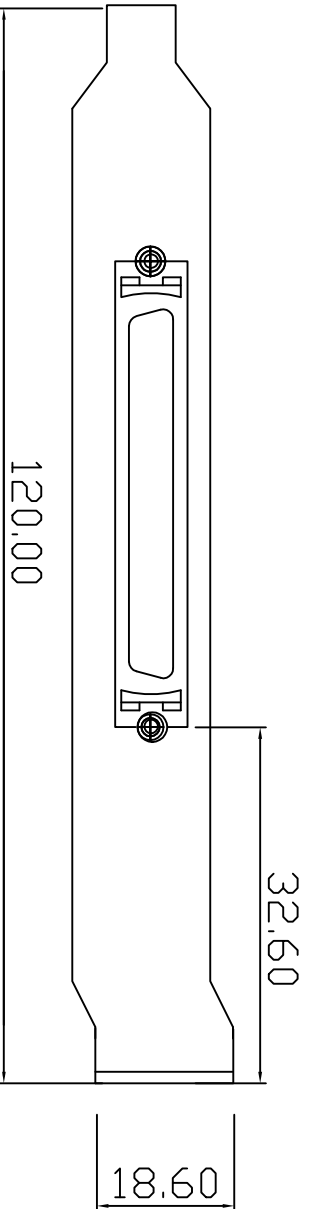
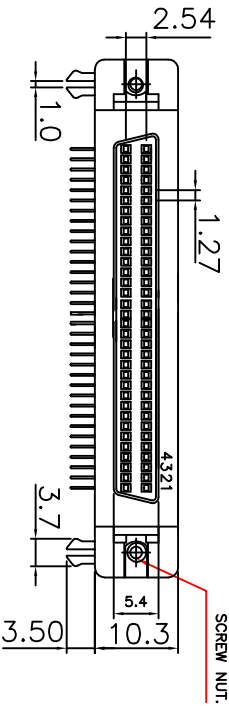
8.8 ± 0.0



HOLE ON DOWN SIDE



P.C.B 1.6mm



A	B	A	B
1	-	X	-
2	-	X	-
3	-	X	-
4	-	X	-
5	-	X	-
6	-	X	-
7	-	X	-
8	-	X	-
9	-	X	-
10	-	X	-
11	-	X	-
12	-	X	-
13	-	X	-
14	-	X	-
15	-	X	-
16	-	X	-
17	-	X	-
18	-	X	-
19	-	X	-
20	-	X	-
21	-	X	-
22	-	X	-
23	-	X	-
24	-	X	-
25	-	X	-
26	-	X	-
27	-	X	-
28	-	X	-
29	-	X	-
30	-	X	-
31	-	X	-
32	-	X	-
33	-	X	-
34	-	X	-

UNLESS OTHERWISE SPECIFIED TOLERANCE
 ANG. ±0.5
 0. ±0.3
 .00 ±0.2

SCALE: 1:1 UNIT: mm
 DRAWN: MICHAEL 02/16/00
 CHECKED: / /

REV. A	150D11-BTL	SLOT	CARD	DESCRIPTION	CARD HPD68PIN FEMALE W/BRACKET TO BOX HEADERSO MALE	DATE	02/16/00	APPROVED	SIZE	A4	REV.	A	PRODUCT NO.	AB 840	FILE NAME:	150D11-BTL
--------	------------	------	------	-------------	---	------	----------	----------	------	----	------	---	-------------	--------	------------	------------

Asmann Electronic GmbH

DRAWN NAME: 150D11-BTL