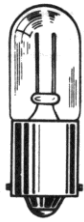


Miniature Neon Indicators WITH BUILT-IN RESISTOR FOR MOUNTING IN 11/16" CLEARANCE HOLE



T-3 1/4
B1A (NE-51)
B2A (NE-51H)
MINIATURE BAYONET BASE
See lamp ratings on page L.

For materials and finishes of products in this group, see page 9D.

PER MIL-L-3661B



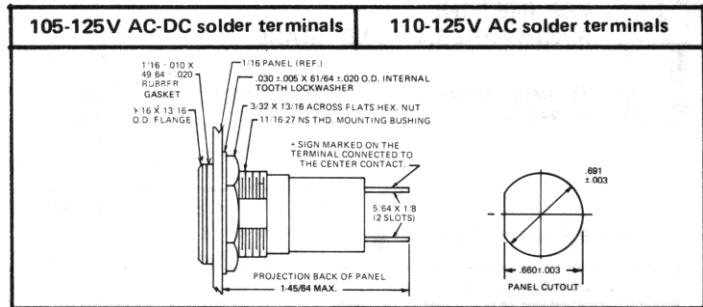
373 SERIES
375 SERIES
376 SERIES

373-0408-0131-273

Convex lens

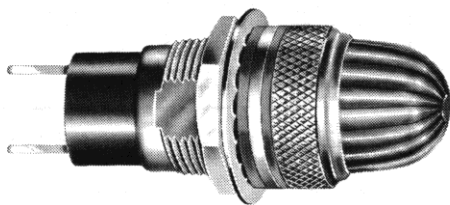
BASE PART NUMBERS

WITH SCREW-IN LENS CAPS



LH76/1	373-0408-01-273	LH76/2	373-0463-01-223
--------	-----------------	--------	-----------------

CAP PART NUMBERS	COMPLETE ASSEMBLY PART NUMBERS
<p>LC14 81-0131-203 convex, transparent</p>	<p>373-0408-0131-273</p> <p>373-0463-0131-223</p>
<p>LC17 203-0131-203 convex, mech. dimmer complete blackout</p>	<p>375-0408-0131-273</p> <p>375-0463-0131-223</p>
<p>LC18 204-0131-203 convex, mech. dimmer semi-blackout</p>	<p>376-0408-0131-273</p> <p>376-0463-0131-223</p>



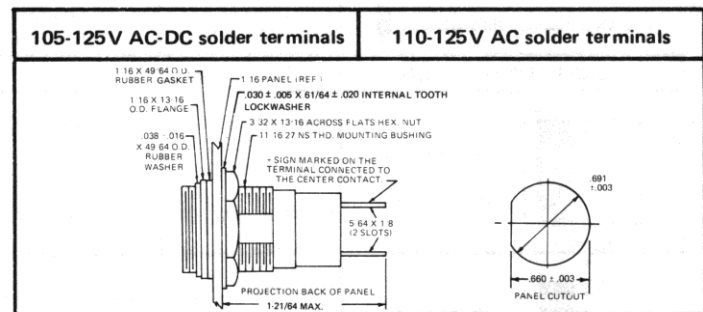
377-0463-1191-223

Stovepipe lens

377 SERIES

BASE PART NUMBERS

WITH SCREW-ON LENS CAPS



LH77/1	377-0408-11-273	LH77/2	377-0463-11-223
--------	-----------------	--------	-----------------

CAP PART NUMBERS	COMPLETE ASSEMBLY PART NUMBERS
<p>LC19 169-1131-203 stovepipe, transparent</p>	<p>377-0408-1131-273</p> <p>377-0463-1131-223</p>
<p>LC20 169-1191-203 stovepipe internal fluting</p>	<p>377-0408-1191-273</p> <p>377-0463-1191-223</p>

Part numbers shown in gray are normally in inventory at your Dialight Distributor.

Order complete with lamp to be assured of receiving the indicator light and correct lamp together for immediate use.