

4

3

2

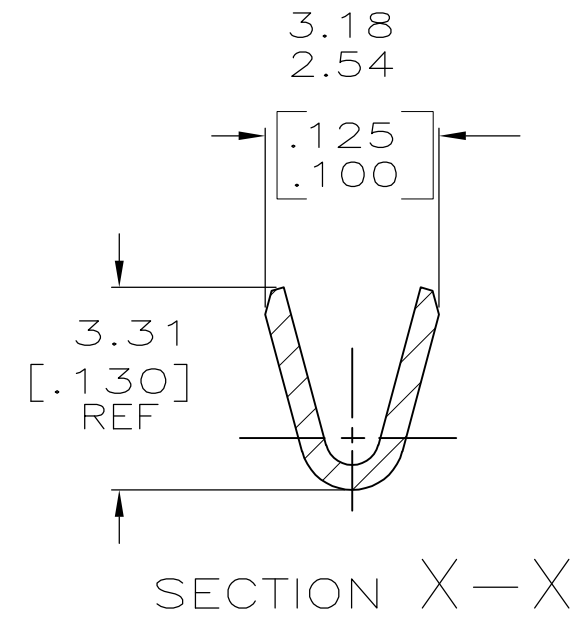
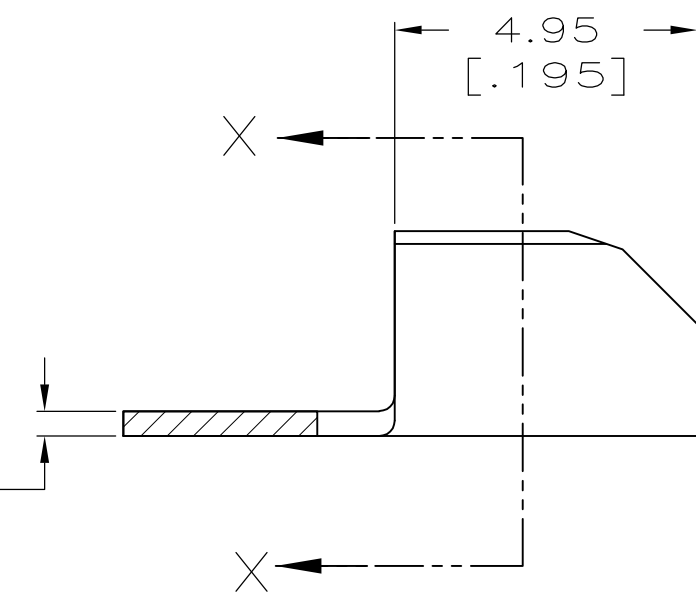
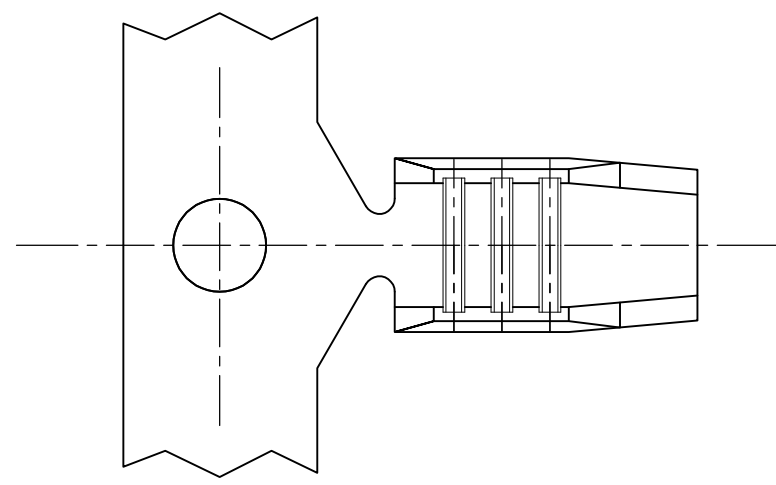
1

THIS DRAWING IS UNPUBLISHED. RELEASED FOR PUBLICATION, 19 .

© COPYRIGHT 19 BY AMP INCORPORATED. ALL RIGHTS RESERVED.

LOC	DIST	REVISIONS					
		P	LTR	DESCRIPTION	DATE	DWN	APVD
AF	50		B	REDRAWN & ADDED -2 PER OG3A-0493-00	27JUL00	JR	GP
			C	ECR-13-004361	05AUG13	XJ	DZ

- 1 WIRE RANGE IS 480 TO 1700 CMA.
- 2 CONTINUOUS STRIP ON REELS.
- △3 PART REELED WITH WIRE BBL UP.
- △4 PRELIMINARY - NOT FOR PRODUCTION



△3	△4	62044-2
		62044-1
		PART NO.

THIS DRAWING IS A CONTROLLED DOCUMENT.		DWN JR RUTH 27JUL00	AMP Incorporated Harrisburg, PA 17105-3608			
DIMENSIONS: mm [INCHES]		CHK MS FEHER 27JUL00				
TOLERANCES UNLESS OTHERWISE SPECIFIED:		APVD G PORTA 27JUL00	NAME SPLICE, AMPLIVAR, MINIATURE			
0 PLC ±-		PRODUCT SPEC -	SIZE A3	CAGE CODE 00779	DRAWING NO C-62044	RESTRICTED TO -
1 PLC ±-		APPLICATION SPEC 114-2016	SCALE 8:1		SHEET 1 OF 1	REV C
2 PLC ±0.38 [.015]		MATERIAL BRASS	CUSTOMER DRAWING			
3 PLC ±-		FINISH -				
4 PLC ±-						
ANGLES ±-						