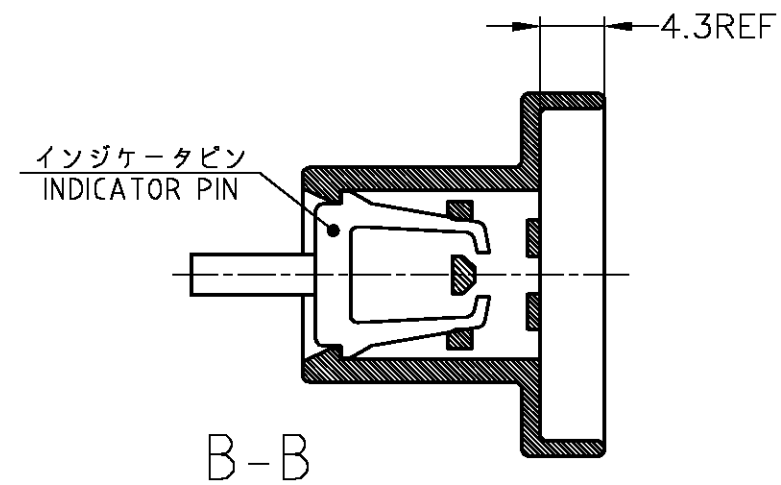
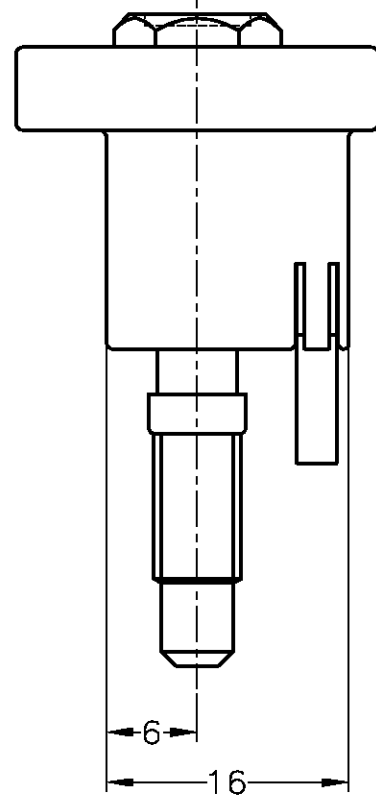
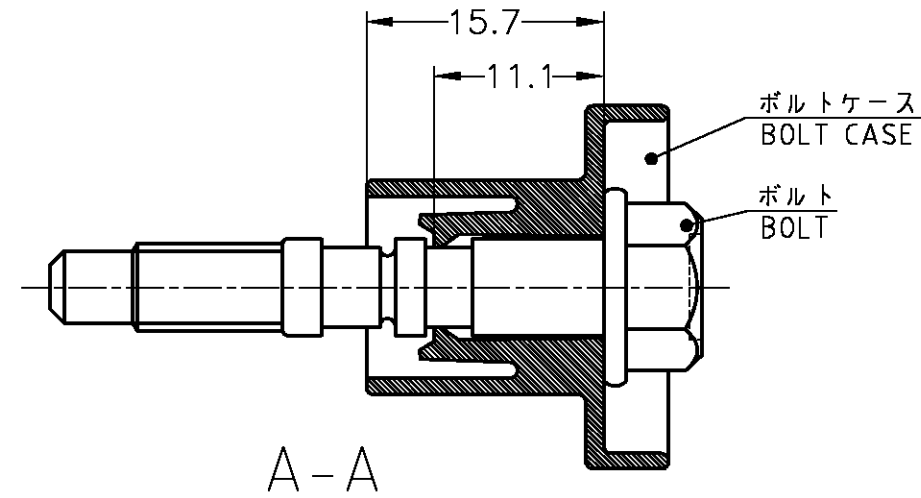
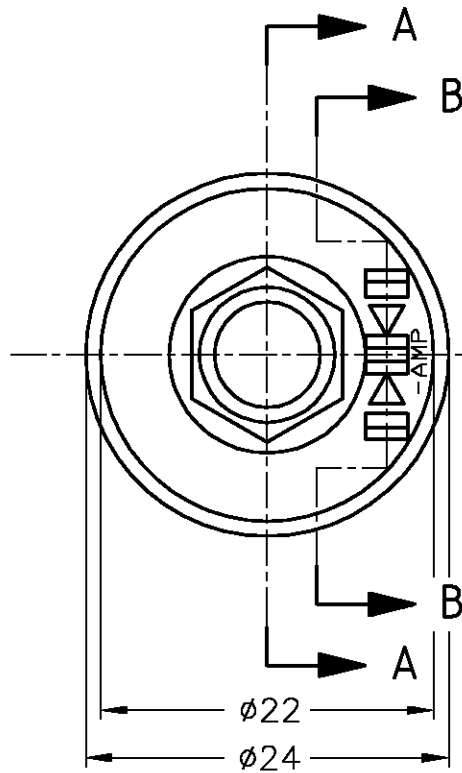
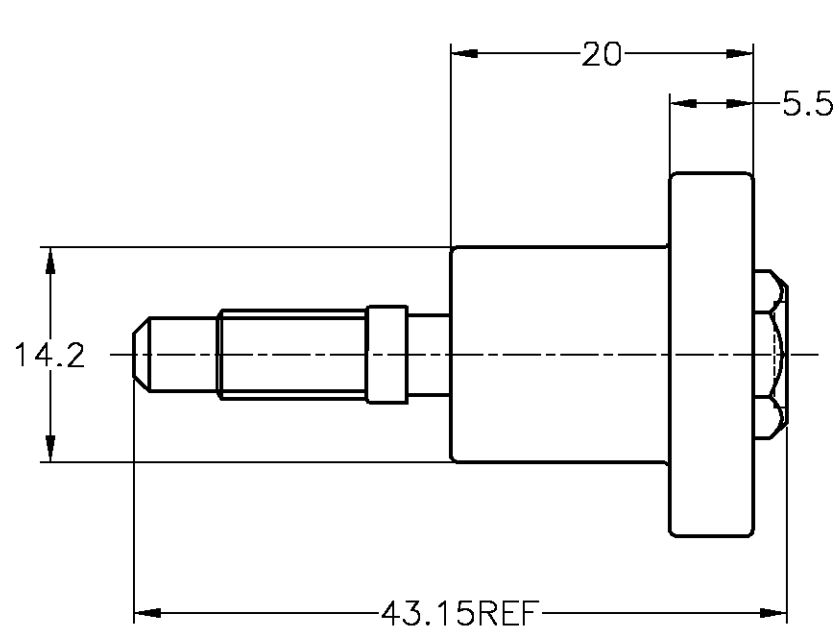


THIS DRAWING IS UNPUBLISHED. RELEASED FOR PUBLICATION
 © COPYRIGHT BY TYCO ELECTRONICS CORPORATION. ALL RIGHTS RESERVED.

LOC	DIST	REVISIONS					
		P	LTR	DESCRIPTION	DATE	DWN	APVD
J	—	B	REVISED	ECR-05-016519	28FEB08	TS	KB



177653-2	黒 BLACK	オレンジ色 ORANGE
177653-1	白 NATURAL	オレンジ色 ORANGE
型番 PART NUMBER	ボルトケース色 BOLT CASE COLOR	インジケータピン色 INDICATOR PIN COLOR

THIS DRAWING IS A CONTROLLED DOCUMENT.

DWN S.AMEMIYA 18JAN93	Tyco Electronics Corporation Kawasaki, Japan			
CHK A.NAGAMINE 18JAN93				
APVD K.ODA 18JAN93				
NAME 名称				
PRODUCT SPEC 製品規格	BOLT CASE ASSEMBLY IMPUL-MATE CONNECTOR			
APPLICATION SPEC 取付適用規格				
WEIGHT —	SIZE A3	CAGE CODE 00779	DRAWING NO 番号 C-177653	RESTRICTED TO —
CUSTOMER DRAWING		SCALE 尺度 2:1	SHEET 1 OF 1	REV B

TOLERANCES UNLESS OTHERWISE SPECIFIED: 一般公差

10 _μ	±0.2
30 _μ	>10 : ±0.25
100 _μ	>30 : ±0.3
ANGLE	±3°

TOLERANCES UNLESS OTHERWISE SPECIFIED: 一般公差

0 PLC	±—
1 PLC	±—
2 PLC	±—
3 PLC	±—
4 PLC	±—
ANGLES	±—

MATERIAL 材料 ケース: PBT
ピン: PBT
ボルト: 鋼 (STEEL)

FINISH 仕上 —