



Product Compliance

[For compliance documentation, visit the product page on TE.com>](#)

| | |
|-----------------------------------------------|--------------------------------------------------------------------------------------------------------------------------------|
| EU RoHS Directive 2011/65/EU | Compliant |
| EU ELV Directive 2000/53/EC | Compliant |
| China RoHS 2 Directive MIIT Order No 32, 2016 | No Restricted Materials Above Threshold |
| EU REACH Regulation (EC) No. 1907/2006 | Current ECHA Candidate List: JUNE 2023 (235) Candidate List Declared Against: JAN 2021 (211) Does not contain REACH SVHC |
| Halogen Content | Low Halogen - Br, Cl, F, I < 900 ppm per homogenous material. Also BFR/CFR/PVC Free |
| Solder Process Capability | Not reviewed for solder process capability |

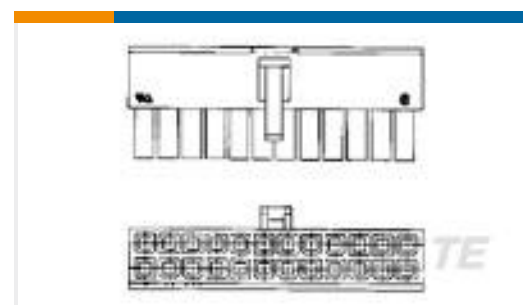
Product Compliance Disclaimer

This information is provided based on reasonable inquiry of our suppliers and represents our current actual knowledge based on the information they provided. This information is subject to change. The part numbers that TE has identified as EU RoHS compliant have a maximum concentration of 0.1% by weight in homogenous materials for lead, hexavalent chromium, mercury, PBB, PBDE, DBP, BBP, DEHP, DIBP, and 0.01% for cadmium, or qualify for an exemption to these limits as defined in the Annexes of Directive 2011/65/EU (RoHS2). Finished electrical and electronic equipment products will be CE marked as required by Directive 2011/65/EU. Components may not be CE marked. Additionally, the part numbers that TE has identified as EU ELV compliant have a maximum concentration of 0.1% by weight in homogenous materials for lead, hexavalent chromium, and mercury, and 0.01% for cadmium, or qualify for an exemption to these limits as defined in the Annexes of Directive 2000/53/EC (ELV). Regarding the REACH Regulation, the information TE provides on SVHC in articles for this part number is based on the latest European Chemicals Agency (ECHA) 'Guidance on requirements for substances in articles' posted at this URL: <https://echa.europa.eu/guidance-documents/guidance-on-reach>

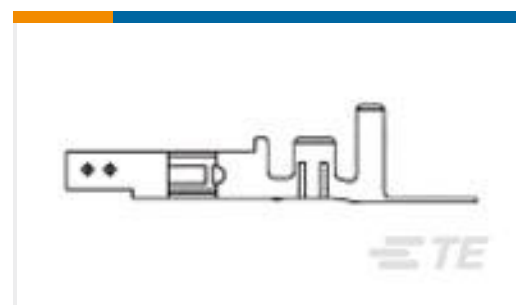
Customers Also Bought



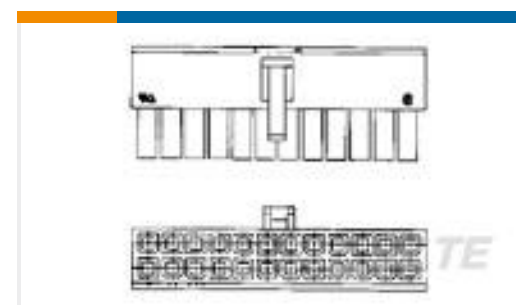
TE Part #2-2176070-4
3521 91R 1% 2W



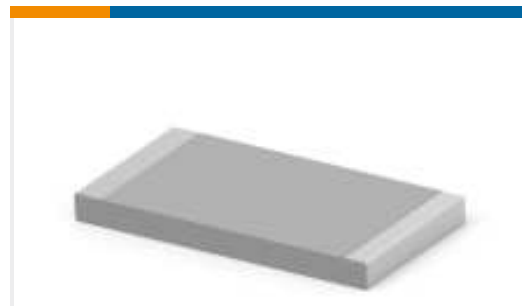
TE Part #1-794954-6
16P RCPT VAL-U-LOK V2



TE Part #794956-1
VAL-U-LOK SKT BR SN 22-18AWG



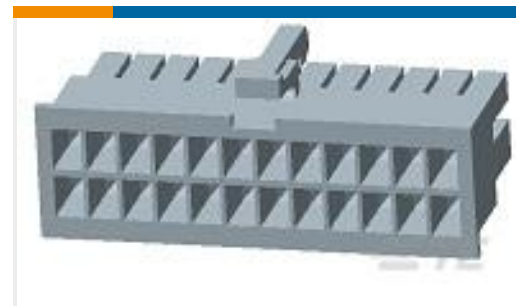
TE Part #1-794954-8
18P RCPT VAL-U-LOK V2



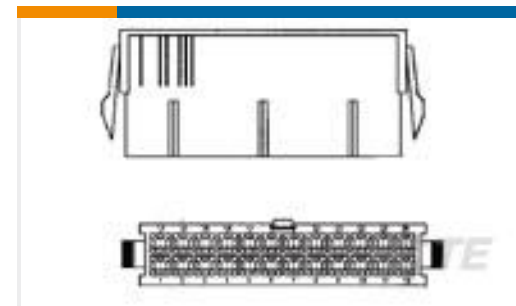
TE Part #1-2176331-7
CRGP 2512 220R 1%



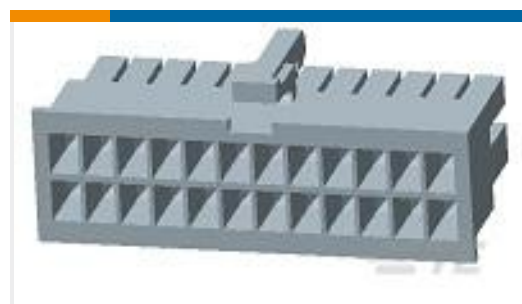
TE Part #4-2176412-0
5W XSM M/OX 5% 220R



TE Part #2-1969597-0
20P RCPT VAL-U-LOK V2



TE Part #2-1586018-2
22P PM PLUG VAL-U-LOK V0



TE Part #2-1969597-2
22P RCPT VAL-U-LOK V2



TE Part #3-2176421-6
TLRP 2512 2.0W R091 1% 25PPM 4K RL

Documents

Product Drawings

[20P PM PLUG VAL-U-LOK V0](#)

English

CAD Files

[3D PDF](#)

3D

Customer View Model

[ENG_CVM_CVM_2-1969613-0_A_c-2-1969613-0-a.2d_dxf.zip](#)

English

Customer View Model

[ENG_CVM_CVM_2-1969613-0_A_c-2-1969613-0-a.3d_igs.zip](#)

English

Customer View Model

[ENG_CVM_CVM_2-1969613-0_A_c-2-1969613-0-a.3d_stp.zip](#)

English

By downloading the CAD file I accept and agree to the [Terms and Conditions](#) of use.

Datasheets & Catalog Pages



[1-1773730-3 VAL-U-LOK Connectors with TPA Flyer](#)

English

[Product Specifications](#)

[Application Specification](#)

English

[Instruction Sheets](#)

[Instruction Sheet \(U.S.\)](#)

English

[Agency Approvals](#)

[UL Report](#)

English