

REVISIONS					
P	LTR	DESCRIPTION	DATE	DWN	APVD
B	I	REVISED(ECR-16-005149)	15JAN2016	SM	HG
C		REVISED(ECR-18-018371)	14DEC2018	SI	YJ
D		REVISED(ECR-20-015614)	02MAR2021	JY	YJ
D	I	REVISED(ECR-22-159779)	10JAN2023	JY	KT

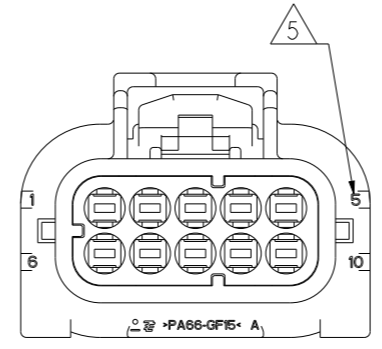
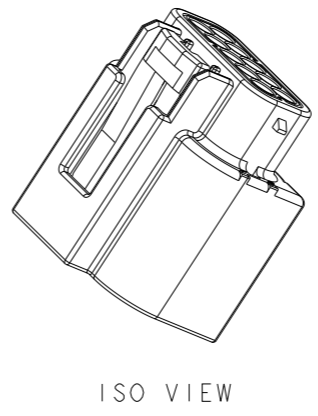
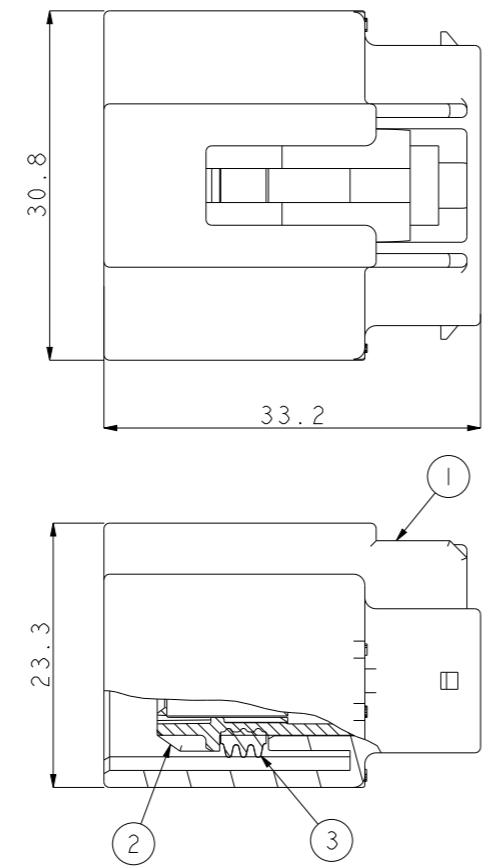
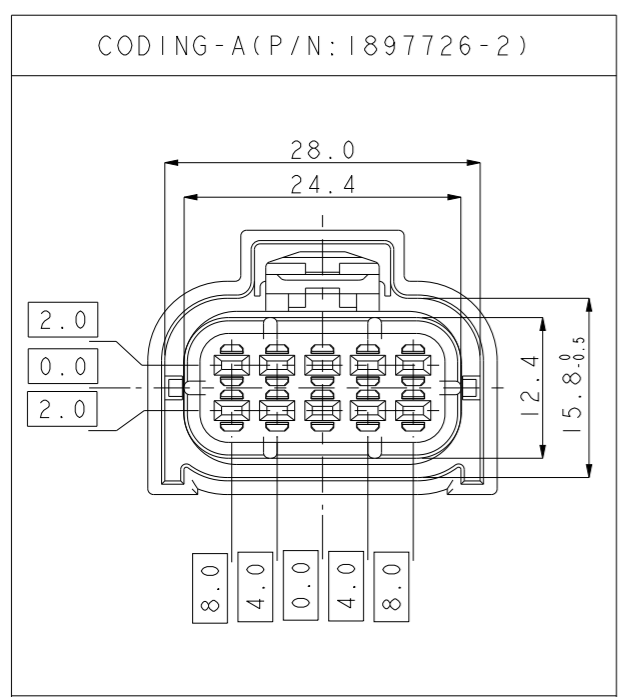


TABLE 1. APPLICABLE REC. CONTACT.

ASS'Y P/N	REC.	PART NO.	WIRE RANGE (mm ²)	INSULATION DIA. (mm) (FLR)
1897726-2	MCP 1.5	1241378	0.2-0.35	1.1-1.4
		1241380	0.5-1.0	1.4-2.1
		2188859-1		
1-1897726-2 2-1897726-3	MT-III	1241730	0.3~0.5	1.15~1.6
		1241732	0.5~1.0	1.4~2.0
	MT-II	962875-1	0.5	1.2~1.6
		1703414	1.25	2.2~2.4

TABLE 2. APPLICABLE SINGLE WIRE SEALS

WIRE RANGE (mm ²)	INSULATION DIA. (mm)	COLOR	PART NO.
0.35-0.50	1.2~1.6	RED	964971-1
0.50-0.75	1.4~1.9	GRAY	963530-1
1.0	1.9~2.1	YELLOW	964972-1
1.25	1.9~2.4	ORANGE	2112323-1

TABLE 3. APPLICABLE SINGLE WIRE SEALS

APPLICABLE ASS'Y P/N	DEAD END PLUG	COLOR	PART NO.
1-1897726-2	DEAD END PLUG	WHITE	963531-1
		NATURAL	1394132-1
2-1897726-3		NATURAL	1394132-1

NOTE ;
 1. GENERAL TOLERANCE : ±0.3, ±3.0°
 2. APPLICABLE REC. CONTACT : SEE TABLE 1.
 3. APPLICABLE SINGLE WIRE SEAL : SEE TABLE 2.
 4. THE MATING TAB HSG P/N : 1897725-2, 1-1897725-3, 2310352-2, 1-2310352-2

- 5. CURCUIT NO.
- 6. GM RESTRICTED P/N
- 7. DEAD END PLUG INSERTION DEPTH : 1.5 ±0.5
- 8. APPLICABLE COVER P/N : SEE TABLE 4

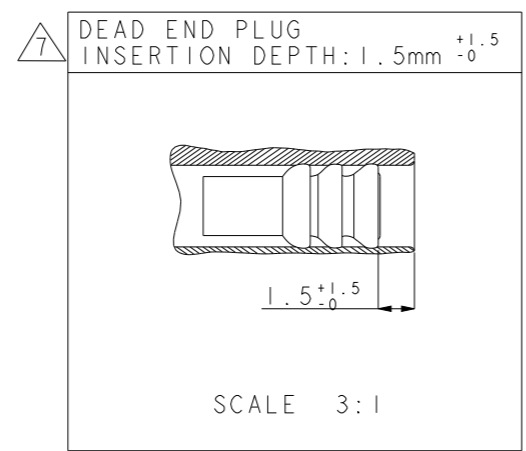
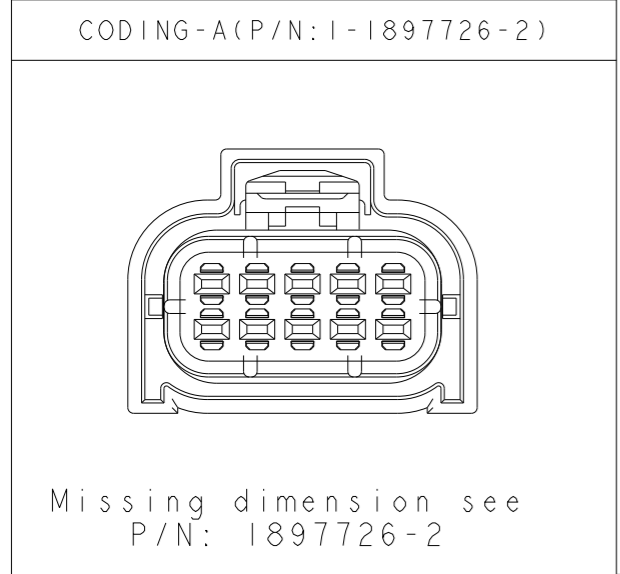
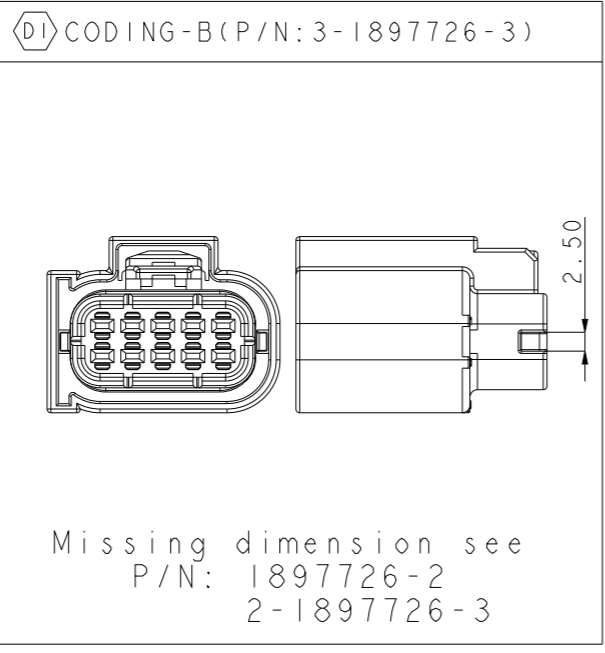
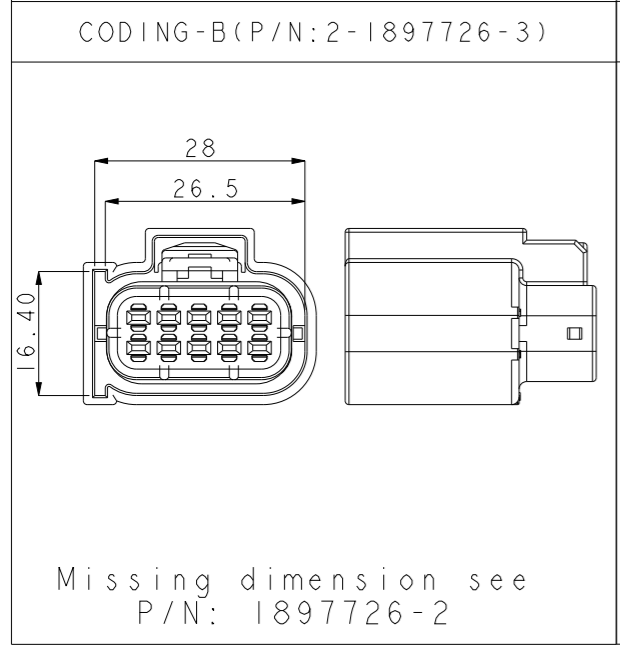


TABLE 4. APPLICABLE COVER HSG

PLUG ASS'Y	MATING COVER HSG
1897726-2	2219417-2
1-1897726-2	2219417-2
2-1897726-3	2219417-2
3-1897726-3	2374021-2



THIS DRAWING IS A CONTROLLED DOCUMENT.

DIMENSIONS: mm	TOLERANCES UNLESS OTHERWISE SPECIFIED:
	0 PLC ±0.5
	1 PLC ±0.5
	2 PLC ±0.13
	3 PLC ±0.013
	4 PLC ±0.0001
	ANGLES ±
MATERIAL	FINISH

NO.	PART NO.	DESCRIPTION	MATERIAL	COLOR	Q'TY
3	1-2005918-6	INNER SEAL	SILICONE	RED ORANGE	1
	2005918-1			GREEN	1
2	2188707-3	CAVITY PLUG HSG	PBT-GF20	GRAY	1
	1897728-2		PA6-GB20-GF10	BLACK	1
1	2-1897727-3	REC. HSG	PA66-GF15	GRAY	1
	1-1897727-3			GRAY	1
	1897727-2			BLACK	1

TE Connectivity

STE

NAME: MCPI.5 SEALED 10P REC. HSG ASS'Y

SIZE: A3 CAGE CODE: 300779 DRAWING NO: C-1897726

RESTRICTED TO: -

CUSTOMER DRAWING SCALE: 3:2 SHEET: 1 OF 1 REV: D1