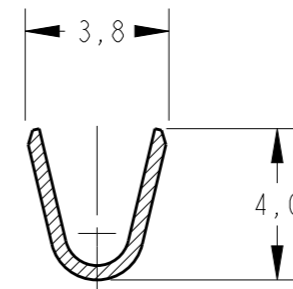
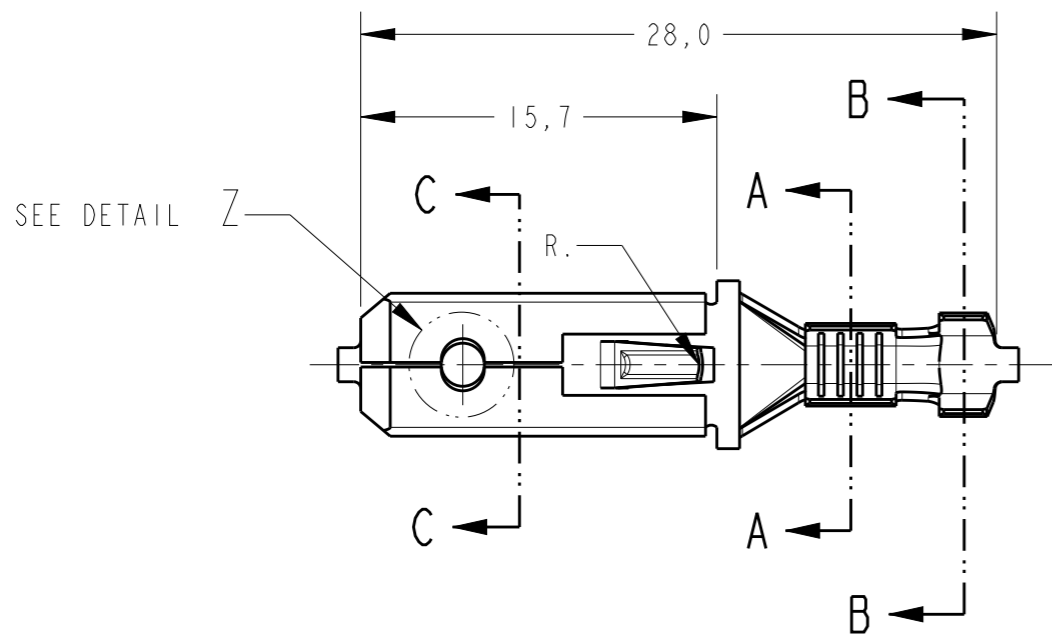


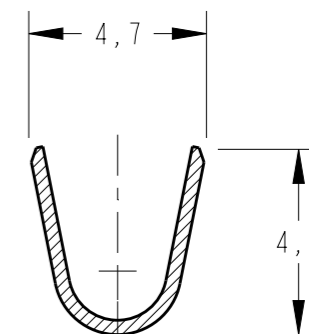
LOC	DIST
AP	-

REVISIONS

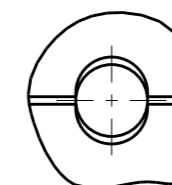
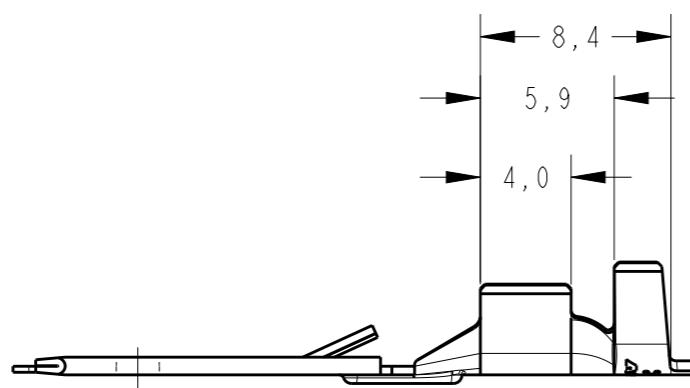
P	LTR	DESCRIPTION	DATE	DWN	APVD
B1		REDRAW BY CAD ECO-12-014149	17AUG2012	NCL	DAO
B2		REVISED BY ECO 16-005803	28JUN2016	HC	WLS



SECTION A-A
SCALE 5:1



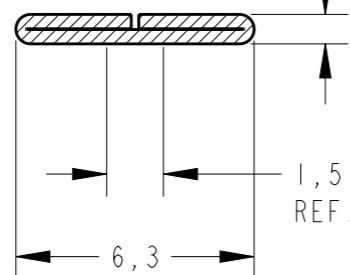
SECTION B-B
SCALE 5:1



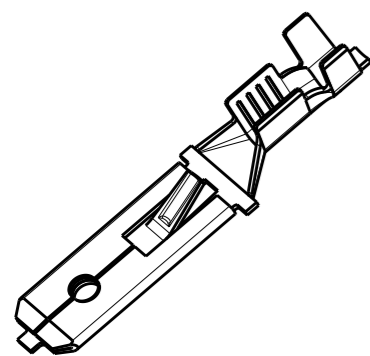
DETAIL Z
SCALE 5:1

CONSTRUÇÃO OPCIONAL
OPTIONAL CONSTRUCTION

0,8±0,1
ESPESSURA DA LINGUETA NO
COMPRIMENTO DE 1,5 ESPECIFICADO
TAB THICKNESS ON 1,5
SPECIFIED LENGTH



SECTION C-C
SCALE 5:1



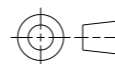
PERSPECTIVE VIEW
SCALE 2:1

FINISH	MATERIAL	PART NUMBER
OBSOLETE TIN PLATED / ESTANHADO	BRONZE FOSF. / PHOSP. BRONZE	444152 - 4
OBSOLETE	BRONZE FOSF. / PHOSP. BRONZE	444152 - 3
TIN PLATED / ESTANHADO	LATÃO / BRASS	444152 - 2
OBSOLETE	LATÃO / BRASS	444152 - 1

WIRE RANGE (mm ²)	>1,0-2,5mm ²
INSUL. RANGE (Ømm)	2,1-2,9mm

THIS DRAWING IS A CONTROLLED DOCUMENT.

DIMENSIONS:
mm



TOLERANCES UNLESS OTHERWISE SPECIFIED:	
0 PLC	±-
1 PLC	±0,3
2 PLC	±-
3 PLC	±-
4 PLC	±-
ANGLES	±1°

MATERIAL SEE TABLE

FINISH SEE TABLE

DWN	11 JUL 2012
CHK	11 JUL 2012
APVD	11 JUL 2012
NAME	DAOLIVEIRA

PRODUCT SPEC	-
APPLICATION SPEC	-
WEIGHT	-



NAME
-
TERMINAL FASTIN-FASTON.250 TAB

SIZE	CAGE CODE	DRAWING NO	RESTRICTED TO
A3	00779	©-444152	-