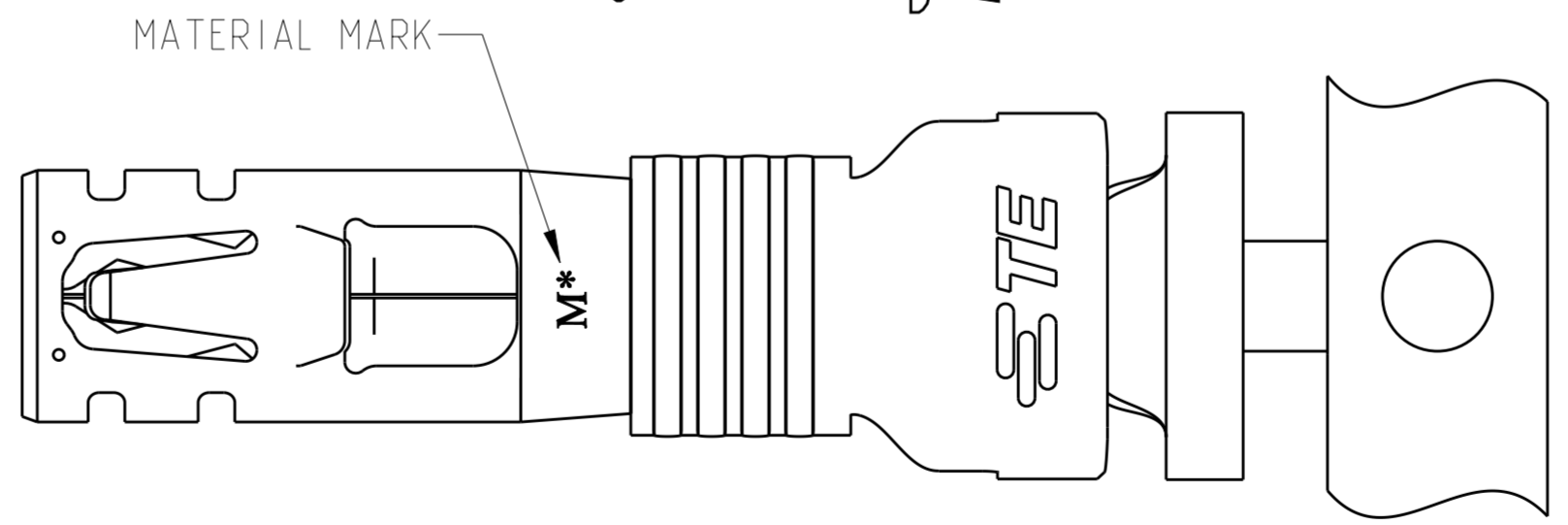
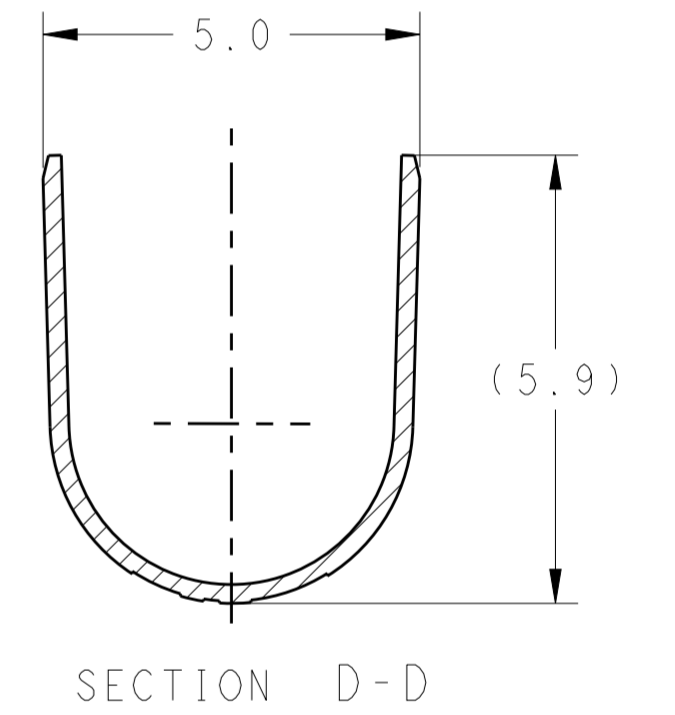
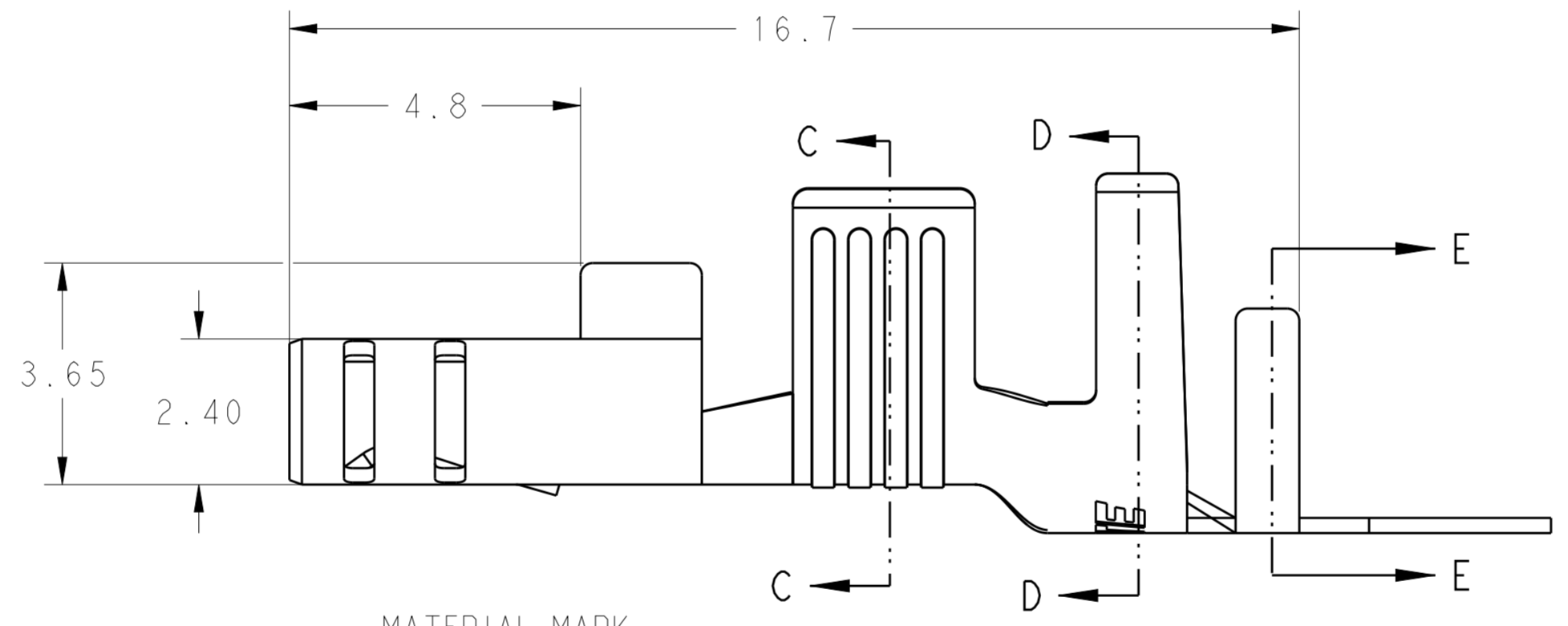
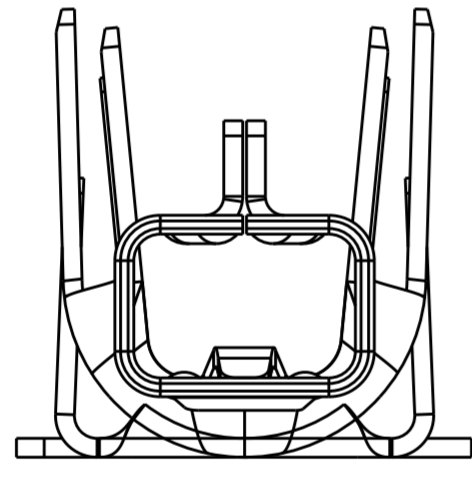
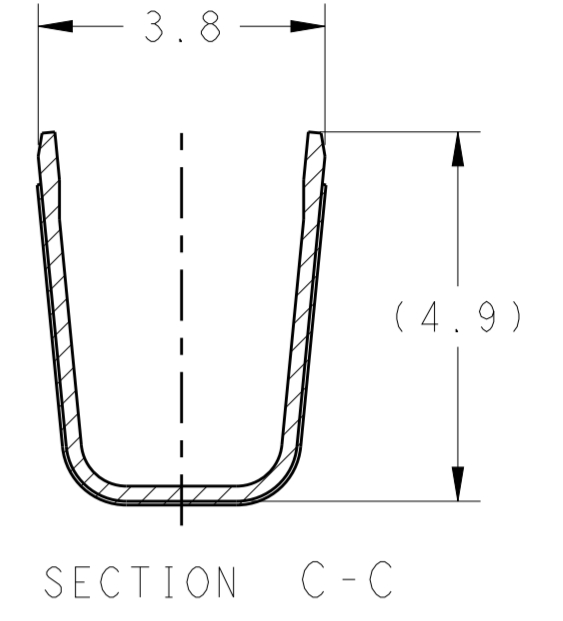
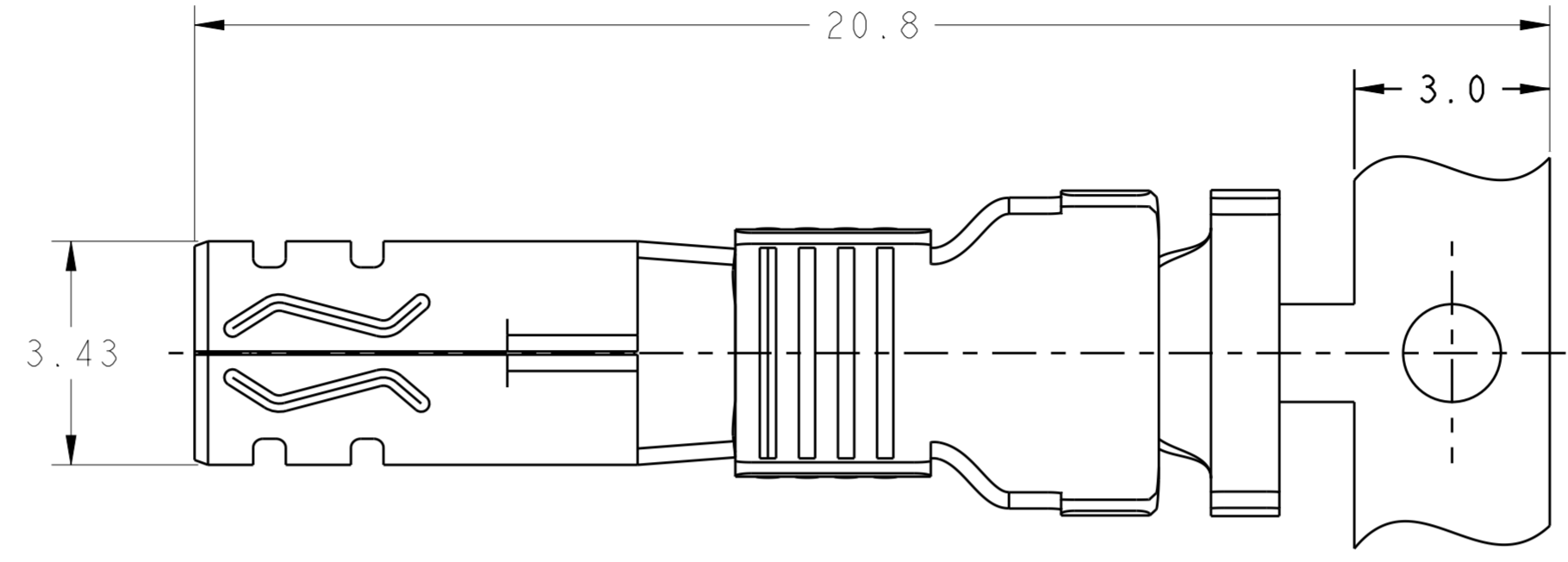
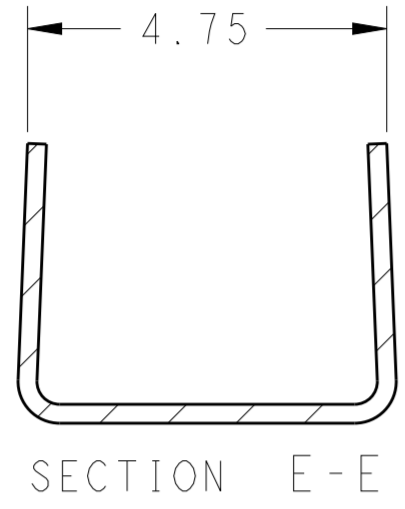


THIS DRAWING IS UNPUBLISHED. RELEASED FOR PUBLICATION 20  
 © COPYRIGHT 20 BY - ALL RIGHTS RESERVED.

LOC	DIST	REVISIONS			
P	LTR	DESCRIPTION	DATE	DWN	APVD
ES	00	C	REVISED PER ECO-16-013278	09SEP2016	RS GJ



1. MATERIAL: COPPER ALLOY, PRE TIN PLATING.
2. APPLICABLE WIRE: 12AWG COPPER STRANDED.
3. APPLICABLE INSULATION DIAMETER: 3.85~4.25mm.
4. APPLICABLE MATED PLUG HOUSING P/N:  
 \*-1971773-\*/\*-1971776-\*/\*-1971876-\*/  
 /\*-2232265-\*/\*-2232266-\*/\*-2232357-\*

5. THIS PRODUCT HAS NOT COMPLETED VALIDATION TESTING.

HIGH(150°C)	M0	1971779-2
STANDARD(105°C)	M4	1971779-1
TEMP. RATING	MATERIAL MARK	PART NO

THIS DRAWING IS A CONTROLLED DOCUMENT.

DIMENSIONS:	TOLERANCES UNLESS OTHERWISE SPECIFIED:	DWN TOMMY WU 11JUL2012	TE Connectivity <b>RECEPTACLE CONTACT POWER TRIPLE LOCK</b>
mm	0 PLC ±	CHK HAPYE WU 11JUL2012	
	1 PLC ±0.5	APVD YUHONG MAO 11JUL2012	
	2 PLC ±0.30	PRODUCT SPEC 108-106118	
	3 PLC ±	APPLICATION SPEC 114-106118	SIZE CAGE CODE DRAWING NO RESTRICTED TO
	4 PLC ±	WEIGHT -	A200779 C-1971779 -
MATERIAL	FINISH ±	Customer Drawing	SCALE 6:1 SHEET 1 OF 1 REV C