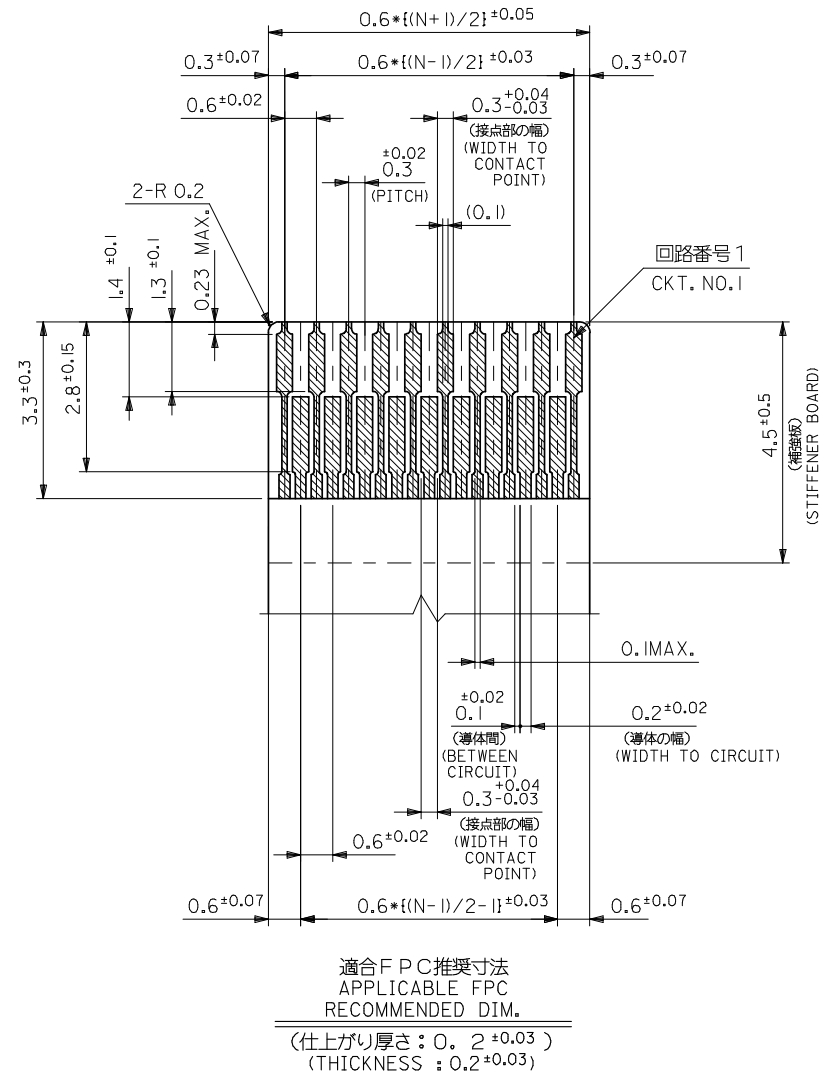
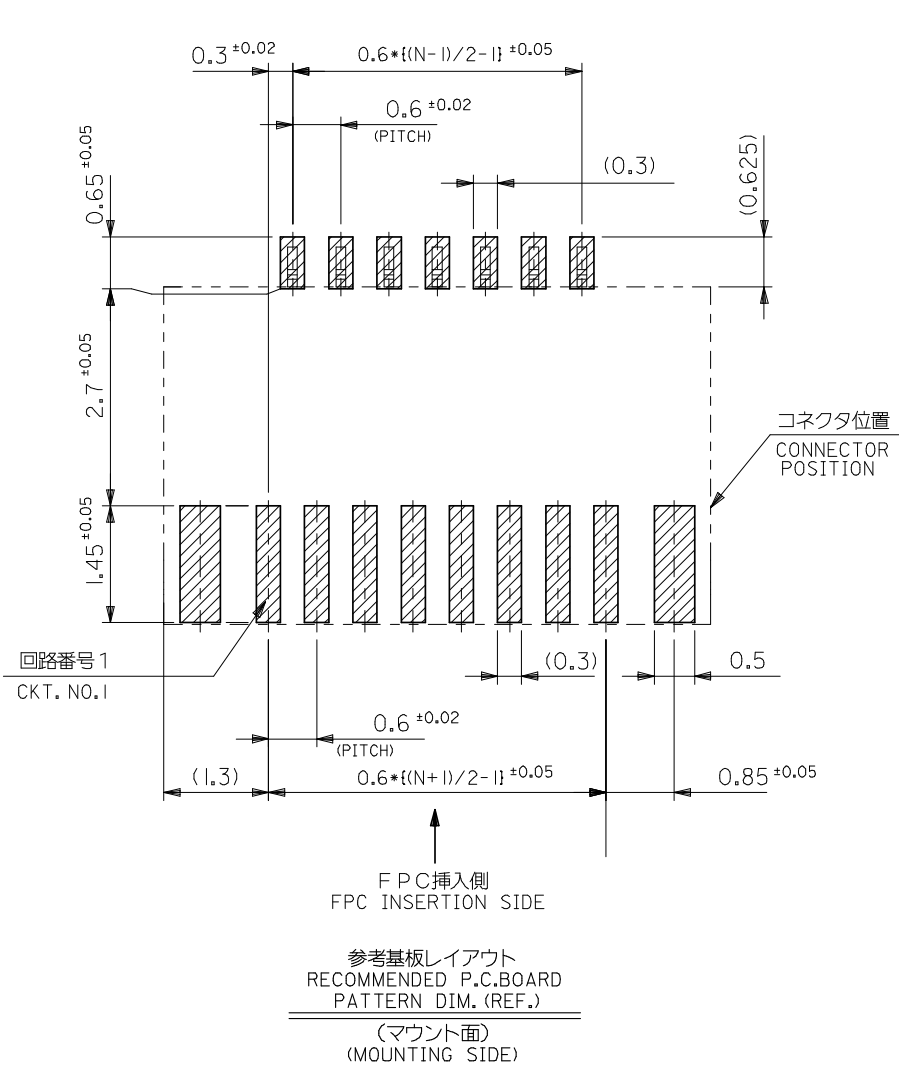


15.6	15.0	14.4	17.6	54809-5198	54809-5128	51
15.0	14.4	13.8	17.0	54809-4998	54809-4928	49
13.8	13.2	12.6	15.8	54809-4598	54809-4528	45
12.0	11.4	10.8	14.0	54809-3998	54809-3928	39
10.8	10.2	9.6	12.8	54809-3598	54809-3528	35
10.2	9.6	9.0	12.2	54809-3398	54809-3328	33
9.6	9.0	8.4	11.6	54809-3198	54809-3128	31
8.4	7.8	7.2	10.4	54809-2798	54809-2728	27
7.8	7.2	6.6	9.8	54809-2598	54809-2528	25
7.2	6.6	6.0	9.2	54809-2398	54809-2328	23
6.6	6.0	5.4	8.6	54809-2198	54809-2128	21
6.0	5.4	4.8	8.0	54809-1998	54809-1928	19
4.8	4.2	3.6	6.8	54809-1598	54809-1528	15
3.6	3.0	2.4	5.6	54809-1198	54809-1128	11
D	C	B	A	EMBOSSED TAPE ORDER No. オーダー番号		MATERIAL NO. CKT.

注記 NOTES

1. 使用材料 MATERIAL  
 ハウジング HOUSING : LCP , UL94V-0  
 アクチュエータ ACTUATOR : PA 46 , UL94V-0  
 ターミナル : リン青銅 (t=0.12) , 鍍・ピスマス (2%) , ニッケル下地  
 TERMINAL PHOSPHOR BRONZE , TIN- 2% BISMUTH OVER NICKEL PLATING.  
 金具 : リン青銅 (t=0.2) , 鍍メッキ , ニッケル下地  
 STOPPER PHOSPHOR BRONZE , TIN OVER NICKEL PLATING.
2. ソルダータール半田付け面のスレ量は、基準面 [R] に対し、  
 上方向0MAX. 下方向0.1MAX. とする。  
 又、相互のバラツキ量は0.1MAX. とする。  
 MISALIGNMENT OF SOLDER TAILS AND FITTING NAILS FROM [R]  
 UPPER DIRECTION : 0 MAX. , LOWER DIRECTION : 0.1 MAX.  
 OFFSET BETWEEN SOLDER TAILS AND FITTING NAILS : 0.1 MAX.
3. 一般公差 : ±0.3  
 GENERAL TOLERANCES : ±0.3
4. 本製品は54809-\*\*\*27の鉛フリー品である。  
 THIS PRODUCT IS LEAD FREE OF 54809-\*\*\*27

REVISED EC NO: J2008-4026 DR: M. NABEI 2008/05/27 CH: K. THARUYAMA 2008/05/27 APPR: N. KUNITA 2008/05/27	GENERAL TOLERANCES (UNLESS SPECIFIED)		DIMENSION STYLE MM ONLY		SCALE ---	DESIGN UNITS METRIC	THIRD ANGLE PROJECTION	
	10 UNDER	± ---	DRAWN BY M. NABEI	DATE '03/12/22	TITLE 0.3 FPC CONN E/O HSG ASSY (H=1.3) -LEAD FREE-			
	10 OVER 30 UNDER	± ---	CHECKED BY K. TOJO	DATE '03/12/22	MOLEX INCORPORATED			
	30 OVER	± ---	APPROVED BY M. SASAO	DATE '03/12/22	MATERIAL NO.	DOCUMENT NO. SD-54809-036	SHEET NO. 1 OF 2	
	ANGULAR ± --- °		DRAFT WHERE APPLICABLE MUST REMAIN WITHIN DIMENSIONS		THIS DRAWING CONTAINS INFORMATION THAT IS PROPRIETARY TO MOLEX INCORPORATED AND SHOULD NOT BE USED WITHOUT WRITTEN PERMISSION			



FPCについて:

打抜き方向は、導体側から補強板側を推奨いたします。  
 補強フィルム材質は、ポリイミドを推奨いたします。  
 接着剤は、熱硬化接着剤を推奨いたします。

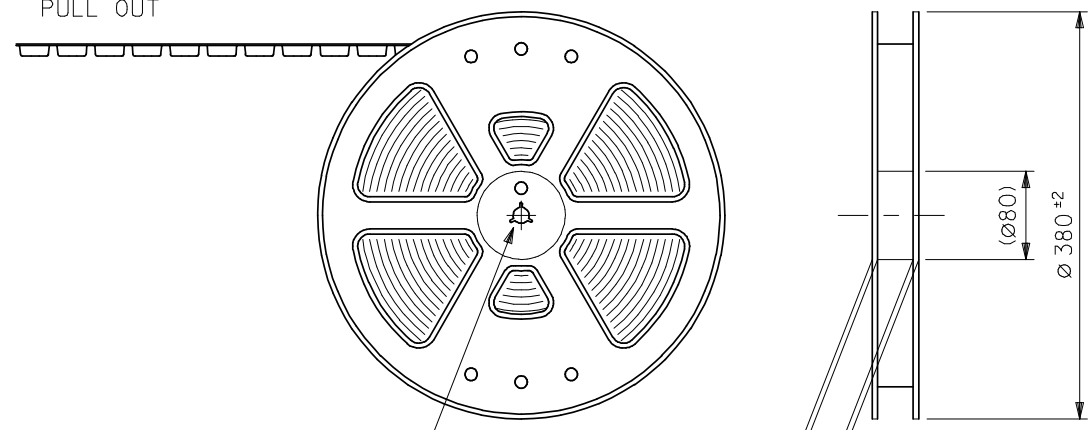
ABOUT FPC  
 RECOMMENDED PUNCHER DIRECTION : FROM CONDUCTOR SIDE TO STIFFENER BOARD SIDE.

RECOMMENDED MATERIAL  
 STIFFENER FILM : POLYIMIDE  
 BONDING AGENT : TERMOSETTING BONDING AGENT

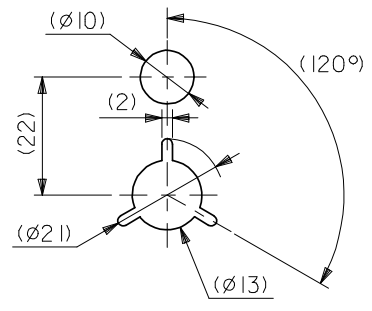
REVISED EC NO: J2008-4026 DRWN: NABEI CH'KD: THARUYAMA APPR: NUKITA	2008/05/27 2008/05/27 2008/05/27	DESCRIPTION REV	GENERAL TOLERANCES (UNLESS SPECIFIED)		DIMENSION STYLE MM ONLY		SCALE ---	DESIGN UNITS METRIC	THIRD ANGLE PROJECTION			
			10 UNDER	± ---	M. NABEI	DATE '03/12/22	TITLE 0.3 FPC CONN E/O HSG ASSY (H=1.3) -LEAD FREE-					
			10 OVER 30 UNDER	± ---	K. TOJO	DATE '03/12/22						
			30 OVER	± ---	M. SASAO	DATE '03/12/22	MOLEX INCORPORATED					
			ANGULAR	± --- °	MATERIAL NO. SEE SHEET 1							
DRAFT WHERE APPLICABLE MUST REMAIN WITHIN DIMENSIONS				SIZE A3		THIS DRAWING CONTAINS INFORMATION THAT IS PROPRIETARY TO MOLEX INCORPORATED AND SHOULD NOT BE USED WITHOUT WRITTEN PERMISSION						

F

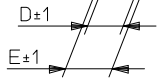
引き出し方向  
←  
PULL OUT



"F"

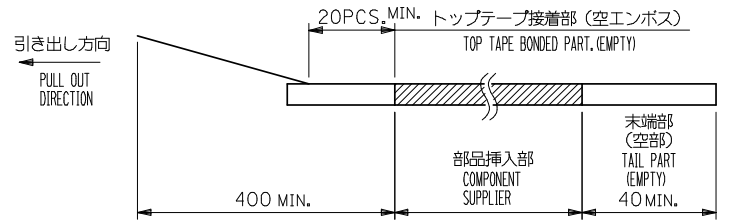


DETAIL "F"

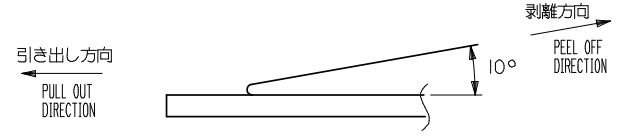


**注記 NOTES**

1. 製品詳細寸法については、図面SD-54809-036を参照下さい。  
RE DETAILED DIMENSION, SEE SD-54809-036.
2. 梱包数量：2500個/リール  
NUMBER OF CONNECTORS : 2500PCS/REEL
3. リードテープ長さ LEAD TAPE LENGTH



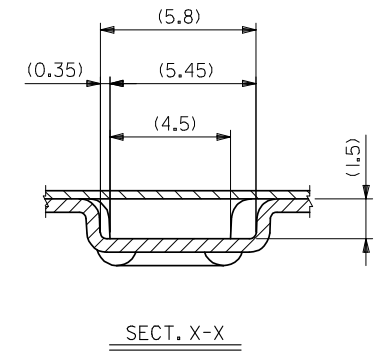
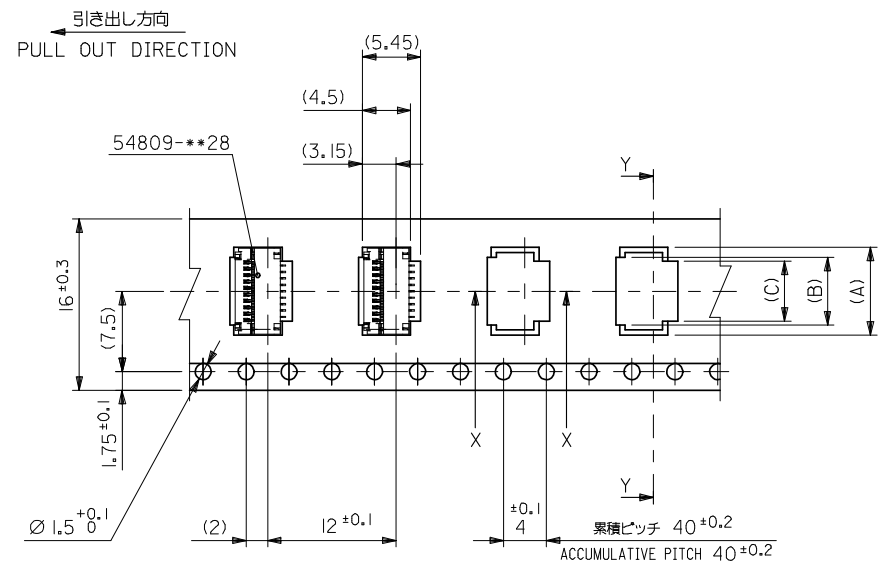
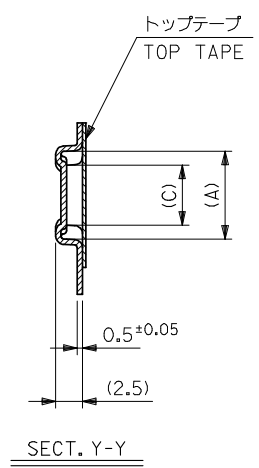
4. トップテープの剥離強度：0.1 ~ 1.3N (10 ~ 130gf) (剥離方向は下図参照)  
尚、本規格値は出荷時に適用。(但し、輸送時に剥離が発生しないこと。)  
PEELING OFF FORCE OF TOP TAPE : 0.1 ~ 1.3N (10 ~ 130gf)  
(PEELING DIRECTION AS SHOWN IN FOLLOWING FIG.)  
THIS REQUIREMENT SHOULD BE APPLIED AT SHIPMENT.  
PEEL OFF SHOULD NOT BE ALLOWED, DURING TRANSPORTATION.



5. 材料 (MATERIAL)  
キャリアテープ (CARRIER TAPE) : ポリプロピレン (POLYPROPYLENE)  
トップテープ (TOP TAPE) : PET, PE, PEF  
リール (REEL) : ポリスチレン (PS) <リサイクル材を含む>  
POLYSTYRENE(PS) <RECYCLE MATERIAL CONTAINED>
6. 本製品は54809-\*\*-91の鉛フリー品である。  
THIS PRODUCT IS LEAD FREE OF 54809-\*\*-91

A

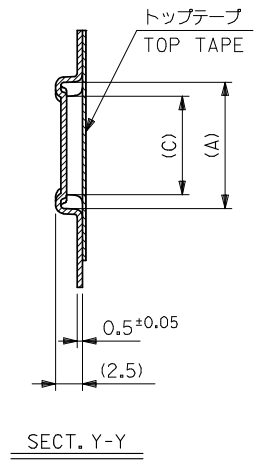
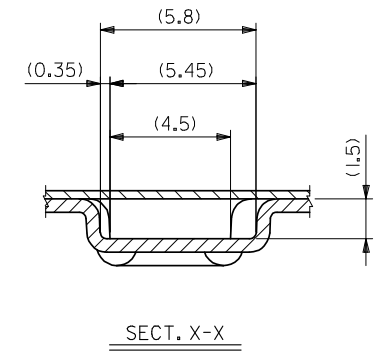
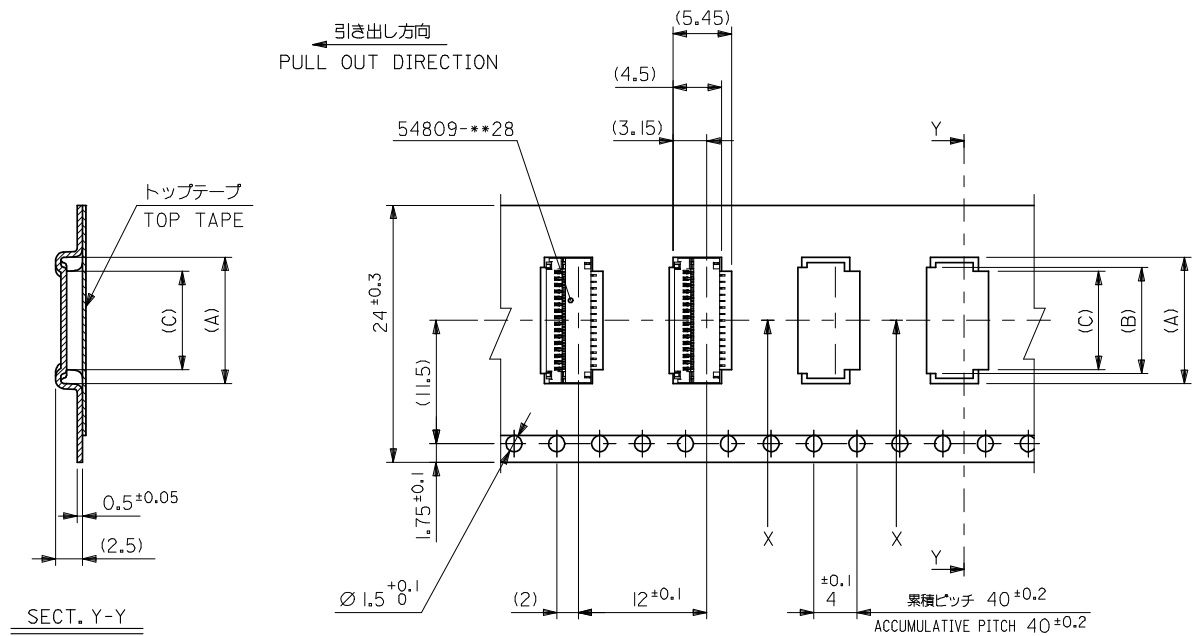
REVISED EC NO: J2008-4026 DRWN: NABEI 2008/05/27 CH'KD: THARUYAMA 2008/05/27 APPR: NUKITA 2008/05/27	GENERAL TOLERANCES (UNLESS SPECIFIED)		DIMENSION STYLE MM ONLY		SCALE ---	54809-**98	MODEL NO.	
	10 UNDER ±---		DRAWN BY DATE M. NABEI '03/12/22		TITLE EMBSTP PKG FOR 0.3 FPC CONN E/O -LEAD FREE-	DESIGN UNITS METRIC	THIRD ANGLE PROJECTION	
	10 OVER 30 UNDER ±---		CHECKED BY DATE K. TOJO '03/12/22			MOLEX INCORPORATED		
	30 OVER ±---		APPROVED BY DATE M. SASAO '03/12/22		MATERIAL NO. SEE TABLE	DOCUMENT NO. SD-54809-037	SHEET NO. 1 OF 4	
	ANGULAR ±--- °		DRAFT WHERE APPLICABLE MUST REMAIN WITHIN DIMENSIONS		THIS DRAWING CONTAINS INFORMATION THAT IS PROPRIETARY TO MOLEX INCORPORATED AND SHOULD NOT BE USED WITHOUT WRITTEN PERMISSION			



16mm幅キャリアテープ  
16mm WIDTH CARRIER TAPE

16	21.4	17.4	6.8	7.5	9.4	54809-2398	23
			6.2	6.9	8.8	54809-2198	21
			5.6	6.3	8.2	54809-1998	19
			4.4	5.1	7.0	54809-1598	15
			3.2	3.9	5.8	54809-1198	11
キャリアテープ幅 CARRIER TAPE WIDTH	E	D	C	B	A	MATERIAL NO.	種数 CKT.

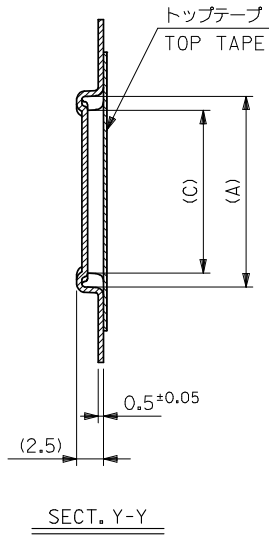
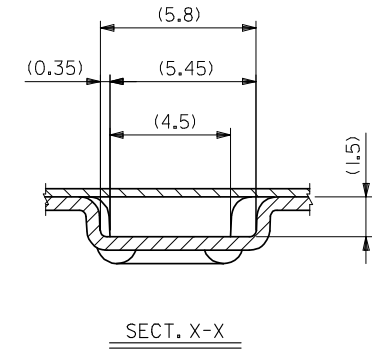
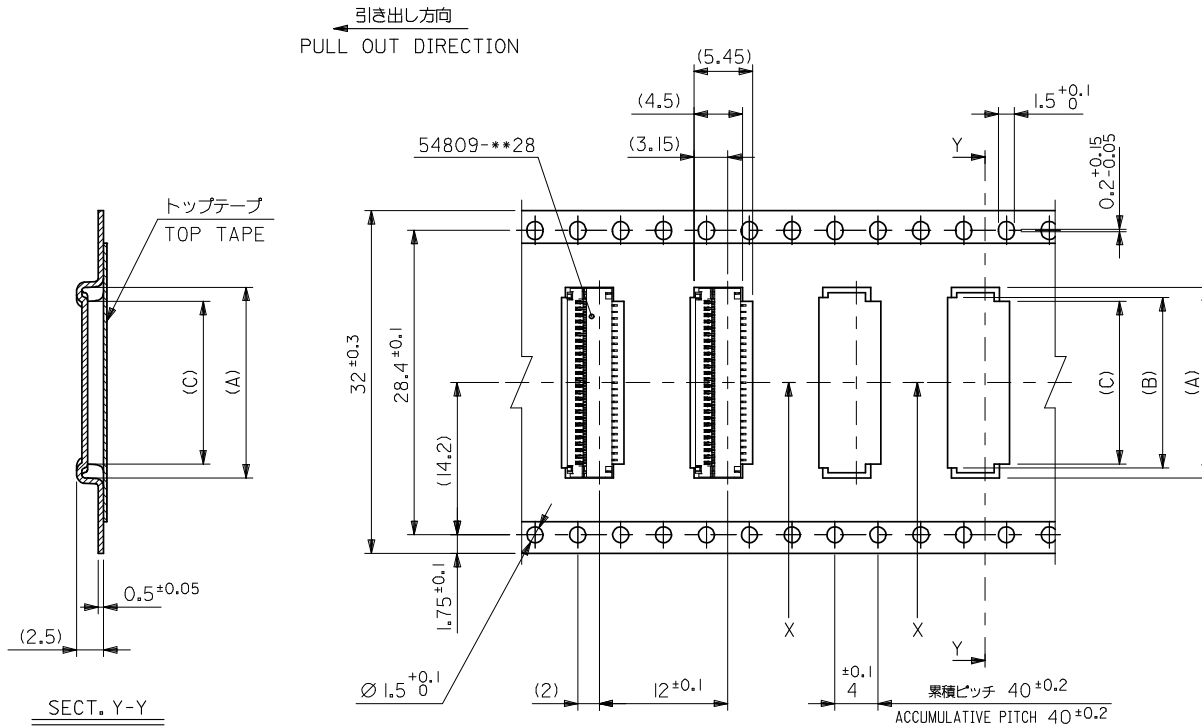
REVISED EC NO: J2008-4026 DRWN: NABEI 2008/05/27 CHKD: THARUYAMA 2008/05/27 APPR: NUKITA 2008/05/27	DESCRIPTION	GENERAL TOLERANCES (UNLESS SPECIFIED)	DIMENSION STYLE	SCALE	DESIGN UNITS	MODEL NO.	
	REV	10 UNDER	MM ONLY	---	METRIC	54809-***98	
		10 OVER 30 UNDER	± ---	DRAWN BY	DATE	TITLE	THIRD ANGLE PROJECTION
		30 OVER	± ---	M. NABEI	'03/12/22	EMBSTP PKG FOR 0.3 FPC CONN E/O -LEAD FREE-	
		ANGULAR	± --- °	CHECKED BY	DATE		
		DRAFT WHERE APPLICABLE MUST REMAIN WITHIN DIMENSIONS		M. TOJO	'03/12/22	MOLEX INCORPORATED	MODEL NO.
			APPROVED BY	DATE	DOCUMENT NO.	SHEET NO.	
			M. SASAO	'03/12/22	SD-54809-037	2 OF 4	
			MATERIAL NO.	SEE TABLE			
			SIZE	THIS DRAWING CONTAINS INFORMATION THAT IS PROPRIETARY TO MOLEX INCORPORATED AND SHOULD NOT BE USED WITHOUT WRITTEN PERMISSION			
			A3				



24mm幅キャリアテープ  
24mm WIDTH CARRIER TAPE

24	29.4	25.4	13.4	14.1	16.0	54809-4598	45
			11.6	12.3	14.2	54809-3998	39
			10.4	11.1	13.0	54809-3598	35
			9.8	10.5	12.4	54809-3398	33
			9.2	9.9	11.8	54809-3198	31
			8.0	8.7	10.6	54809-2798	27
			7.4	8.1	10.0	54809-2598	25
キャリアテープ幅 CARRIER TAPE WIDTH	E	D	C	B	A	MATERIAL NO.	種別 CKT.

REVISED EC NO: J2008-4026 DRWN: NABEI 2008/05/27 CHKD: THARUYAMA 2008/05/27 APPR: NUKITA 2008/05/27	GENERAL TOLERANCES (UNLESS SPECIFIED)		DIMENSION STYLE	SCALE	DESIGN UNITS	THIRD ANGLE PROJECTION	
	10 UNDER ± ---		MM ONLY	---	METRIC	◎ □	
	10 OVER	30 UNDER	± ---	DRAWN BY	DATE	TITLE	
	30 OVER	± ---	M. NABEI	'03/12/22	EMBSTP PKG FOR 0.3 FPC CONN E/O -LEAD FREE-		
	ANGULAR ± --- °		CHECKED BY	DATE	APPROVED BY		DATE
DRAFT WHERE APPLICABLE MUST REMAIN WITHIN DIMENSIONS		M. SASAO	'03/12/22	M. SASAO		'03/12/22	DOCUMENT NO. SD-54809-037
		SEE TABLE		SHEET NO. 3 OF 4			
		THIS DRAWING CONTAINS INFORMATION THAT IS PROPRIETARY TO MOLEX INCORPORATED AND SHOULD NOT BE USED WITHOUT WRITTEN PERMISSION					



32mm幅キャリアテープ  
32mm WIDTH CARRIER TAPE

32	37.4	33.4	15.2	15.9	17.8	54809-5198	51
			14.6	15.3	17.2	54809-4998	49
キャリアテープ幅 CARRIER TAPE WIDTH	E	D	C	B	A	MATERIAL NO.	種別 CKT.

REVISED EC NO: J2008-4026 DRWN: NABEI 2008/05/27 CH'KD: THARUYAMA 2008/05/27 APPR: NUKITA 2008/05/27	GENERAL TOLERANCES (UNLESS SPECIFIED)		DIMENSION STYLE	SCALE	DESIGN UNITS	MODEL NO.
	10 UNDER ±---		MM ONLY	---	METRIC	54809-***98
	10 OVER 30 UNDER ±---		DRAWN BY	DATE	TITLE	THIRD ANGLE PROJECTION
	30 OVER ±---		M. NABEI	'03/12/22	EMBSTP PKG FOR 0.3 FPC CONN E/O -LEAD FREE-	
	ANGULAR ±--- °		CHECKED BY	DATE		
DRAFT WHERE APPLICABLE MUST REMAIN WITHIN DIMENSIONS		K. TOJO	'03/12/22	MOLEX INCORPORATED		
		APPROVED BY	DATE	MATERIAL NO.	DOCUMENT NO.	SHEET NO.
		M. SASAO	'03/12/22	SEE TABLE	SD-54809-037	4 OF 4
		THIS DRAWING CONTAINS INFORMATION THAT IS PROPRIETARY TO MOLEX INCORPORATED AND SHOULD NOT BE USED WITHOUT WRITTEN PERMISSION				