

4

3

2

1

THIS DRAWING IS UNPUBLISHED
VERTRAULICHE UNVERÖFFENTLICHE ZEICHNUNG

RELEASE FOR PUBLIKATION
FREI FUER VERÖFFENTLICHUNG

MATED WITH:
PASSEND ZU:

LOC AI
DIST -

REVISIONS
ÄNDERUNGEN

© COPYRIGHT 2000 BY AMP INCORPORATED ALL RIGHTS RESERVED
ALLE RECHTE VORBEHALTEN

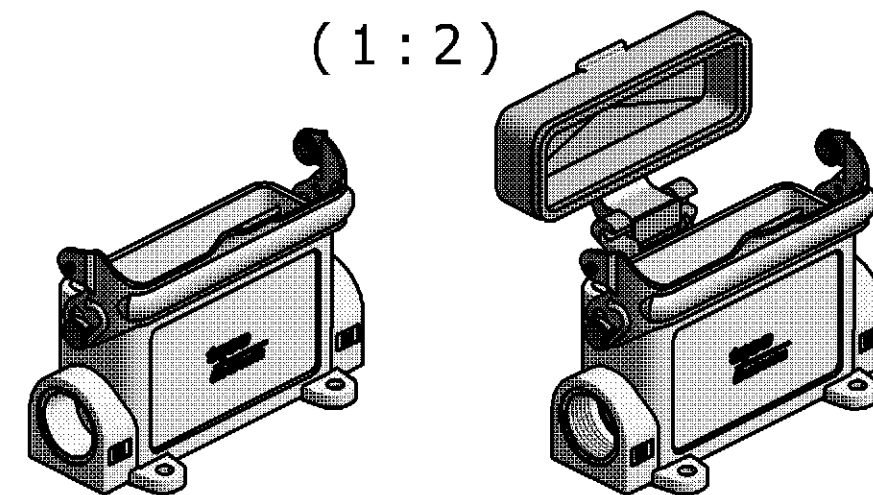
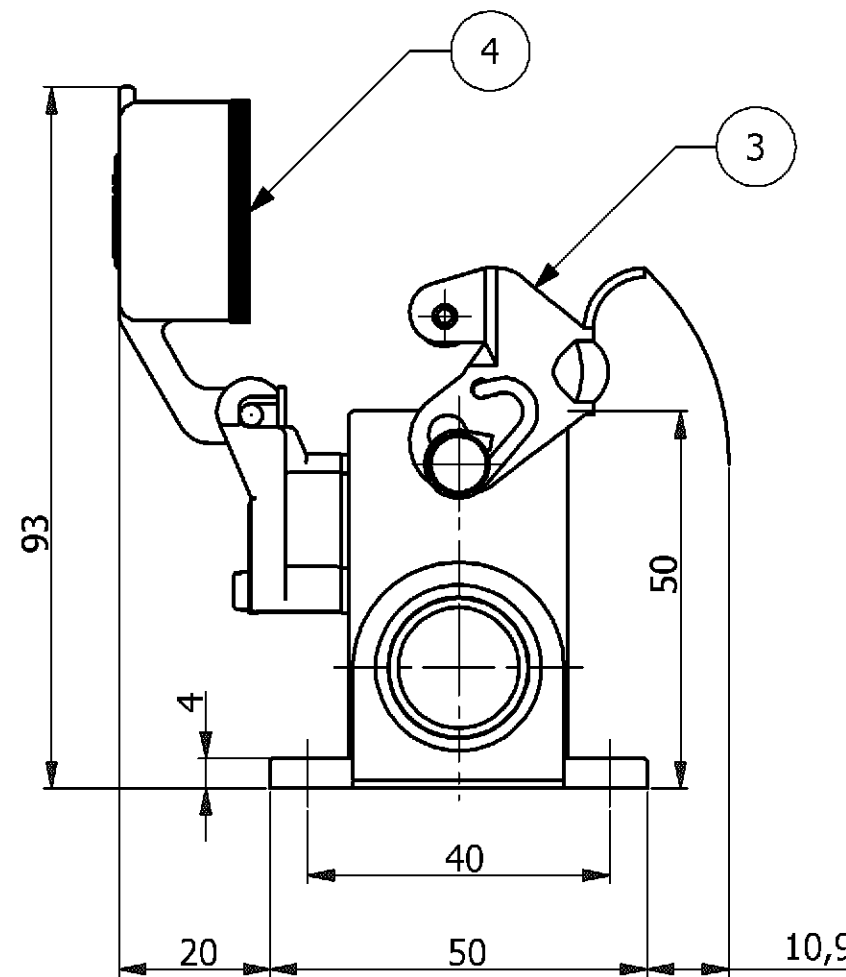
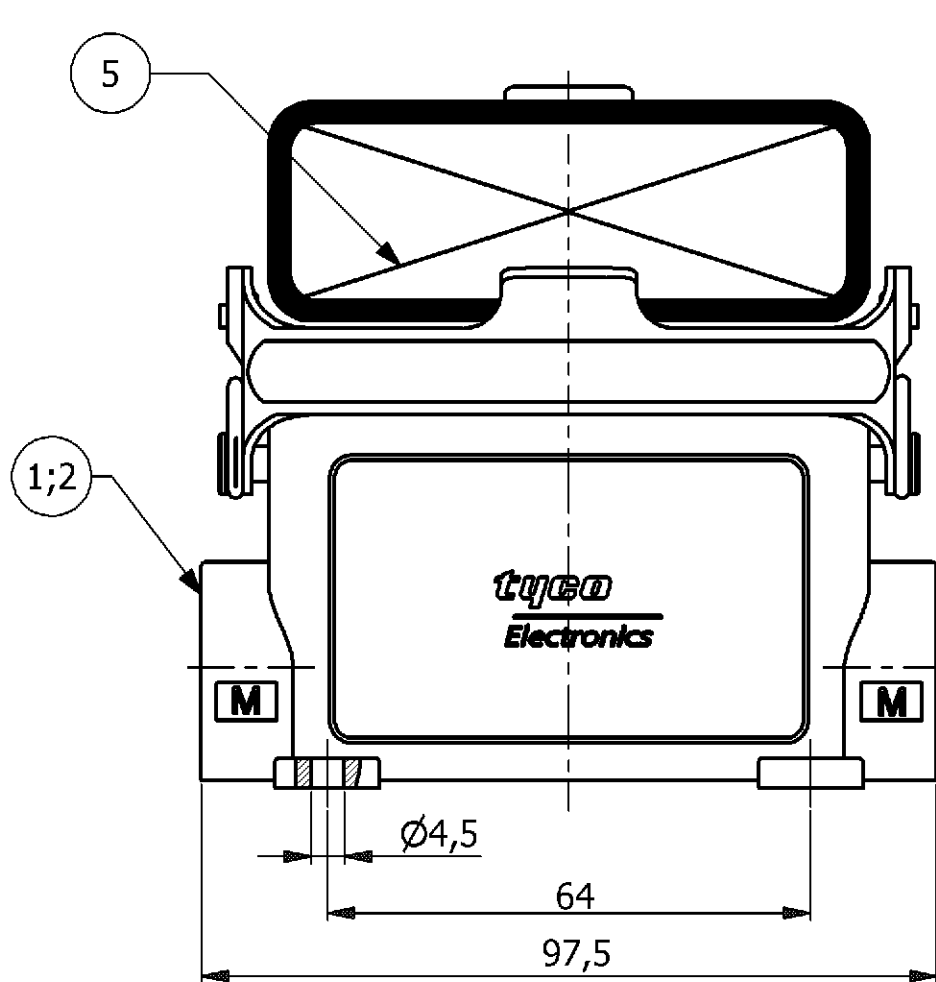
BG5

PROJEKT NR.
EGGMA05416

P	LTR	DESCRIPTION BESCHREIBUNG	DATE	DWN	APVD
B1		AS PER ECR-07-012982	5/28/2007	PB	ST
B2		ECR-17-001189	17AUG2017	RG	MKO

NOTES

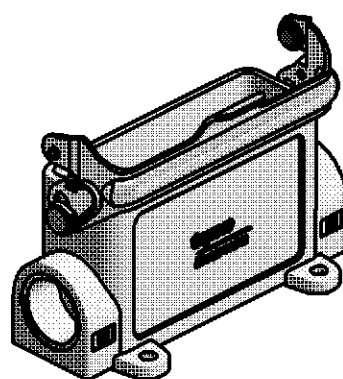
- 1 PACKAGING QUANTITY: 5 PIECES PER BOX
- 2 MATERIAL: SEE TABLE
- 3 FINISH: VARNISH
- 4 VARNISH ON THE INSIDE NOT NECESSARY



PN 0-2
Ordering Text
HA.16.SGD-LB.2.M20.Z

PN 0-1
Ordering Text
HA.16.SGD-LB.2.M20.Z

~~PN 0-1 as shown~~



PN 0-4
Ordering Text
HA-K.16.SGD-LB.2.M20.Z

QTY	DESCRIPTION	MATERIAL	SURFACE	COLOR	ITEM NO.	REMARKS
1	Surface Mounted Housing-Side Entry	Aluminium	HC	Black	6	-
-	Cover	Aluminium	-	Grey	5	-
-	Profile Seal	Neoprene	-	Black	4	-
1	Side Clip	Steel	Zinc Plated	Blue	3	-
-	Surface Mounted Housing-Side Entry	Aluminium	-	Grey	2	-
-	Surface Mounted Housing-Side Entry	Aluminium	-	Grey	1	-
0-4	0-2	0-1	PART LIST			

<small>THIS DRAWING IS A CONTROLLED DOCUMENT FOR AMP INCORPORATED. IT IS SUBJECT TO CHANGE AND THE CONTROLLING ENGINEERING ORGANIZATION SHOULD BE CONTACTED FOR THE LATEST REVISION. DIESSES ZEICHNUNGSDOKUMENT WIRD DURCH AMP INCORPORATED KONTROLLIERT. ÄNDERUNGEN, DIE DEM TECHNISCHEN FORTSCHRITT DIENEN, SIND VORBEHALTEN. DEN JEWELIGS LETZTGÜLTIGEN ÄNDERUNGSSTAND ERFAHREN SIE AUF ANFRAGE.</small>		DWN	P.BENNUR	3/2/2006		SURFACE MOUNTED HOUSING, SIDE ENTRY HA.16.SG/D-LB.2.M20.Z		
DIMENSIONS: DIMENSIONEN: mm		CHK	R.SRINIVAS	3/2/2006				
<small>TOLERANCES UNLESS OTHERWISE SPECIFIED: ALLGEMEINTOLERANZEN</small> n. ISO 8015 - # n. ISO 2768 - m H-E # n. DIN 16901- # 0 PLC # 1 PLC # 2 PLC # 3 PLC # ANGLES / WINKEL #		APVD	T.SCHNURPFEIL	3/2/2006				
MATERIAL		PRODUCT SPEC. PRODUKTSPEZ.	-					
FINISH / OBERFLÄECHE / FARBE		APPLICATION SPEC. VERARBEITUNGSSPEZ.	-		NAME			
DIMENSIONS:		WEIGHT GEWICHT	-		SIZE	A3		
DIMENSIONS:		CUSTOMER DRAWING / KUNDENZEICHNUNG		SCALE MASSSTAB	1:1	SHEET BLATT	1	
DIMENSIONS:		RESTRICTED TO NUR FUER		DRAWING NO. ZEICHNUNGS-NR.	1106438		OF VON	1
DIMENSIONS:		REV. B2						

H:\HITS\projects\ESQ\05-110-PPA-PD Hoods and Housing\HA_16\Assemblies\1106438_C-1106438.dwg