

NOTES

- 1. 端子テール部及びネイルの平坦度:0.1 MAX.
TAIL AND NAIL COPLANARITY TO BE 0.1 MAX.
- △2 極数/2 = 偶数に適用
APPLY FOR CIRCUIT SIZE / 2 =EVEN
- △3 適用製品及び各種仕様書はSHEET 5を参照のこと
REFER TO SHEET 5 ABOUT APPLICABLE PRODUCTS AND VARIOUS SPECIFICATIONS
- △4 オーダー番号(製品番号) : SHEET 6の製品一覧を参照ください
ORDER No (MATERIAL No) : REFER TO SHEET 6 FOR PRODUCT LIST

503339 ****

シリーズ番号 極数 色
SERIES NO. CIRCUIT SIZE COLOR
カバートープ COVER TAPE

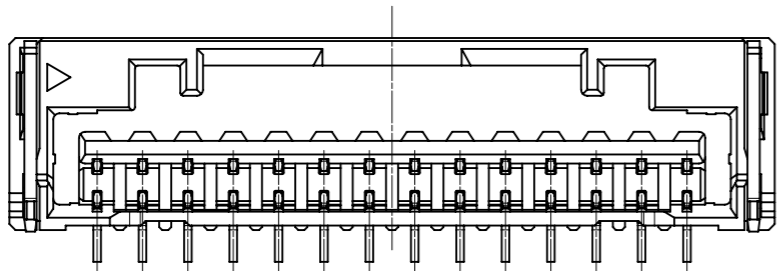
CIRCUIT	No	COVER TAPE	No	COLOR
02 ~ 15	6	WITH	0	ナチュラル NATURAL (ページユ) (BEIGE)
			1	黒 BLACK
	7	WITHOUT	2	赤 RED
			4	青 BLUE
			6	緑 GREEN

25	±0.25	21	26.8	±0.25	15
23.5		19.5	25.3		14
22		18	23.8		13
20.5		16.5	22.3		12
19		15	20.8		11
17.5		13.5	19.3		10
16	±0.20	12	17.8	±0.20	9
14.5		10.5	16.3		8
13		9	14.8		7
11.5		7.5	13.3		6
10		6	11.8		5
8.5		4.5	10.3		4
7	±0.20	3	8.8	±0.20	3
5.5		1.5	7.3		2
C		B	A	極数 CIRCUIT NO	

番号 NO.	部品 PART	材質 MATERIAL
①	ハウジング HOUSING	ポリアミド(PA) UL94V-0 色 : SEE CHART POLYAMIDE(PA) UL94V-0 COLOR : SEE CHART
②	ターミナル TERMINAL	銅合金 COPPER ALLOY
		錫めっき : 1.0 micro-meter MIN MATTE TIN PLATING ニッケルめっき(下地) : 1.0 micro-meter MIN NICKEL (UNDER PLATING)
③	ネイル NAIL	黄銅 BRASS
		錫めっき : 1.0 micro-meter MIN MATTE TIN PLATING ニッケルめっき(下地) : 1.0 micro-meter MIN NICKEL (UNDER PLATING)

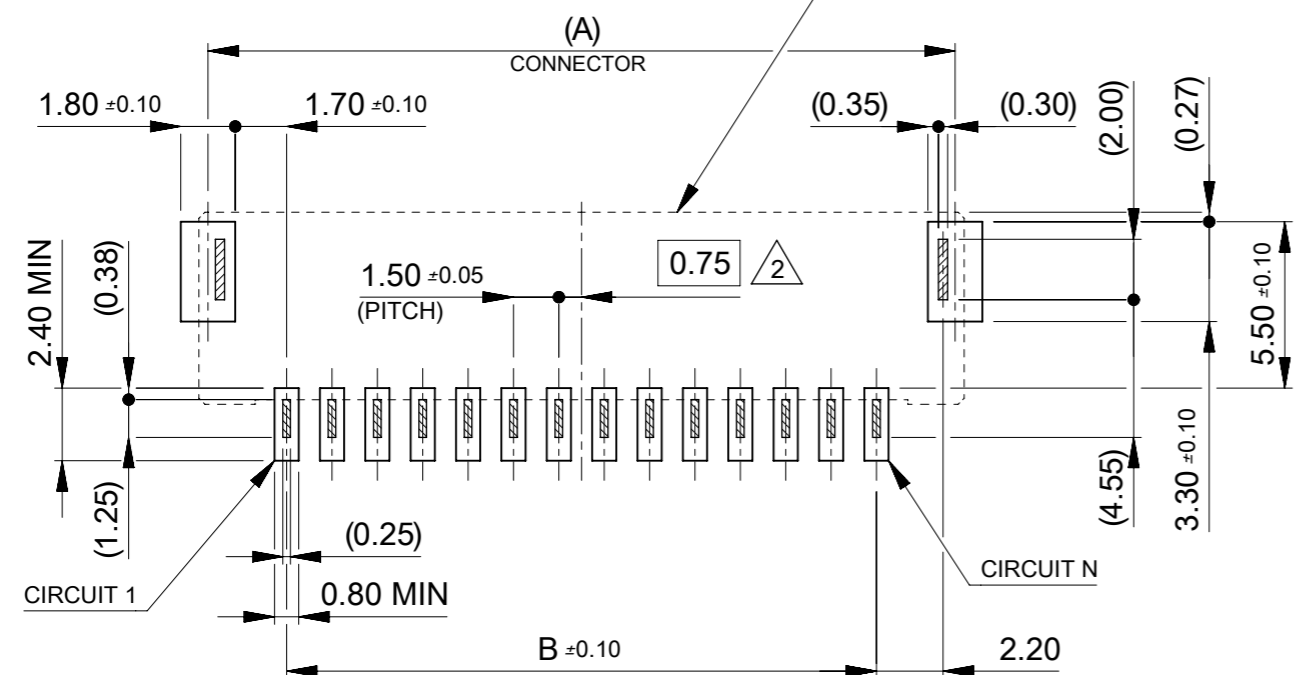
THIS DRAWING CONTAINS INFORMATION THAT IS PROPRIETARY TO MOLEX ELECTRONIC TECHNOLOGIES, LLC AND SHOULD NOT BE USED WITHOUT WRITTEN PERMISSION

DIMENSION UNITS mm	SCALE NTS	CURRENT REV DESC:	
GENERAL TOLERANCES (UNLESS SPECIFIED)		<p style="text-align: center;">molex</p> <p>CLIK-MATE 1.5 SMT ST PA6T SINGLE ROW SMT VT TYPE REC ASSY TIN PLATING</p> <p style="text-align: center;">PRODUCT CUSTOMER DRAWING</p>	
ANGULAR TOL	± 3.0 °		
4 PLACES	± 0.2		
3 PLACES	± 0.2		
2 PLACES	± 0.2		
1 PLACE	± 0.2		
0 PLACES	± 0.2	EC NO: 638671	2020/06/01
DRAFT WHERE APPLICABLE MUST REMAIN WITHIN DIMENSIONS		DRWN: MIKEDA01	2020/06/02
THIRD ANGLE PROJECTION		CHK'D: SAKIYAMA	2020/06/02
DRAWING		APPR: KOMURAKAMI	2020/06/02
SERIES		INITIAL REVISION:	
MATERIAL NUMBER		DRWN: MIKEDA01	2020/01/29
CUSTOMER		APPR: KOMURAKAMI	2020/03/03
SHEET NUMBER		DOCUMENT NUMBER	
A3-SIZE		5033390000-SD	
GENERAL		PSD 000 C	
1 OF 6			



製品レイアウト
PRODUCT LAYOUT

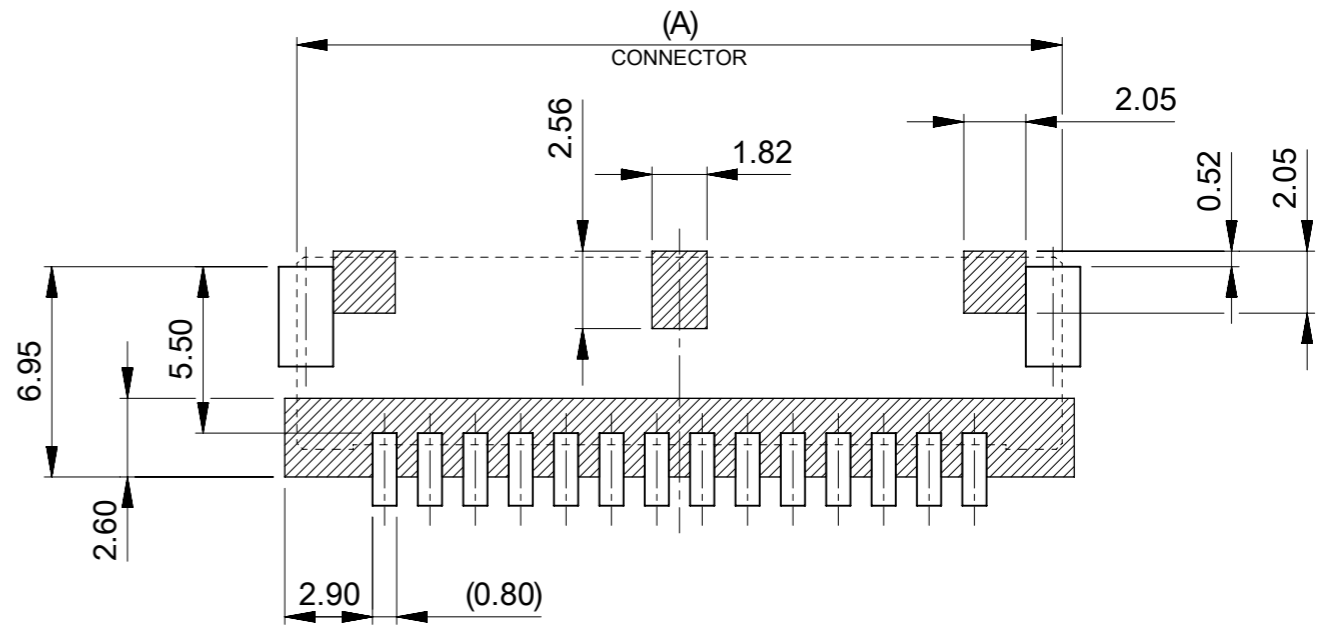
コネクタ外形
CONNECTOR OUTLINE



基板レイアウト(参考)

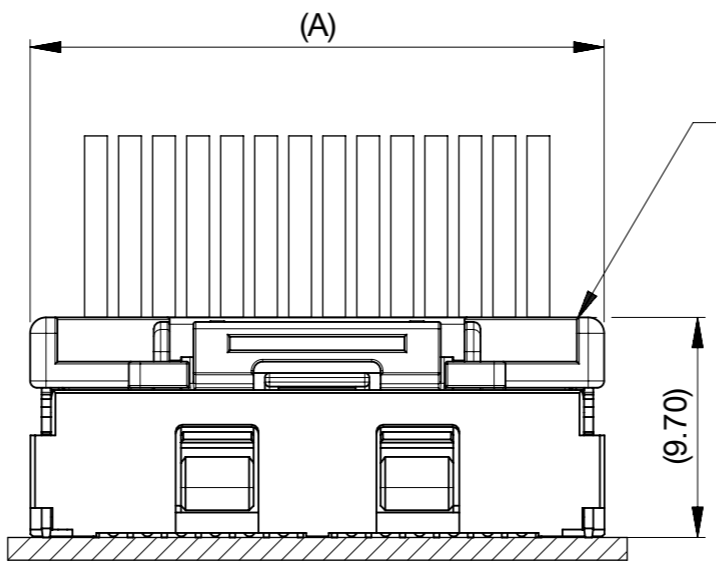
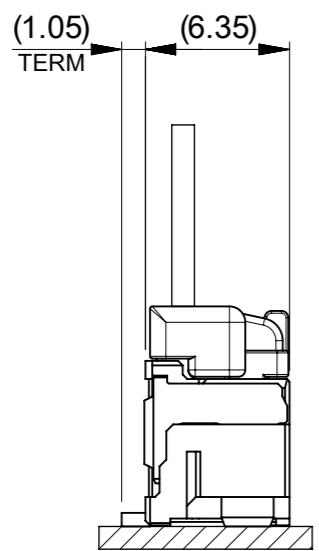
PCB PATTERN LAYOUT (REFERENCE)

(参考: メタルマスク厚さ 0.10mm, マスク開口率100%)
(REFERENCE: METAL STENCIL THICKNESS 0.10mm, APERTURE RATIO 100%)



パターン非推奨エリア

パターンを引き回す際は、製品機能に影響がないことをご確認ください。
PATTERN IS NOT RECCOMENDED ON THE HATCHED AREA.
PLEASE CHECK NOT TO HAVE PROBLEM FOR PRODUCT FUNCTION
WHEN SETTING PATTERN ON THE HATCHED AREA.



嵌合相手: 502578 シリーズ
MATE WITH: 502578 SERIES

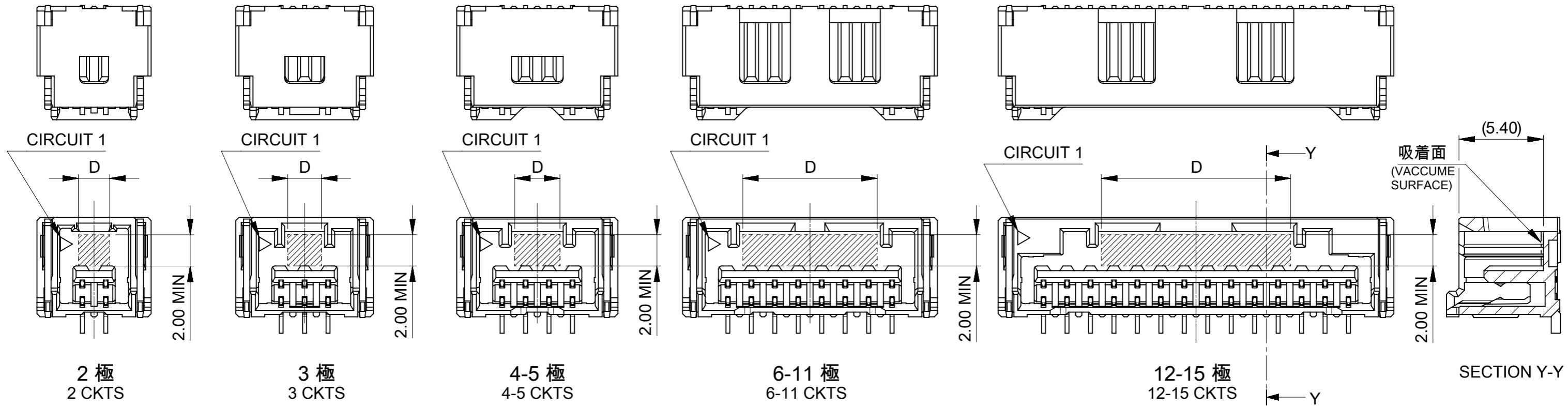
嵌合図
MATED CONNECTORS

THIS DRAWING CONTAINS INFORMATION THAT IS PROPRIETARY TO MOLEX ELECTRONIC TECHNOLOGIES, LLC AND SHOULD NOT BE USED WITHOUT WRITTEN PERMISSION		CURRENT REV DESC:		molex	
DIMENSION UNITS	SCALE				
mm	NTS			CLIK-MATE 1.5 SMT ST PA6T SINGLE ROW SMT VT TYPE REC ASSY TIN PLATING	
GENERAL TOLERANCES (UNLESS SPECIFIED)				PRODUCT CUSTOMER DRAWING	
ANGULAR TOL	± 3.0°			DOCUMENT NUMBER	
4 PLACES	± 0.2	EC NO: 638671		5033390000-SD	
3 PLACES	± 0.2	DRWN: MIKEDA01 2020/06/01		DOC TYPE	
2 PLACES	± 0.2	CHK'D: SAKIYAMA 2020/06/02		PSD	
1 PLACE	± 0.2	APPR: KOMURAKAMI 2020/06/02		DOC PART	
0 PLACES	± 0.2	INITIAL REVISION:		000	
DRAFT WHERE APPLICABLE MUST REMAIN WITHIN DIMENSIONS		DRWN: MIKEDA01 2020/01/29		REVISION	
THIRD ANGLE PROJECTION		APPR: KOMURAKAMI 2020/03/03		C	
DRAWING		SERIES		SHEET NUMBER	
A3-SIZE		503339		2 OF 6	
MATERIAL NUMBER		CUSTOMER			
		GENERAL			

WITHOUT COVER TAPE

MATERIAL No. : 503339 **7*

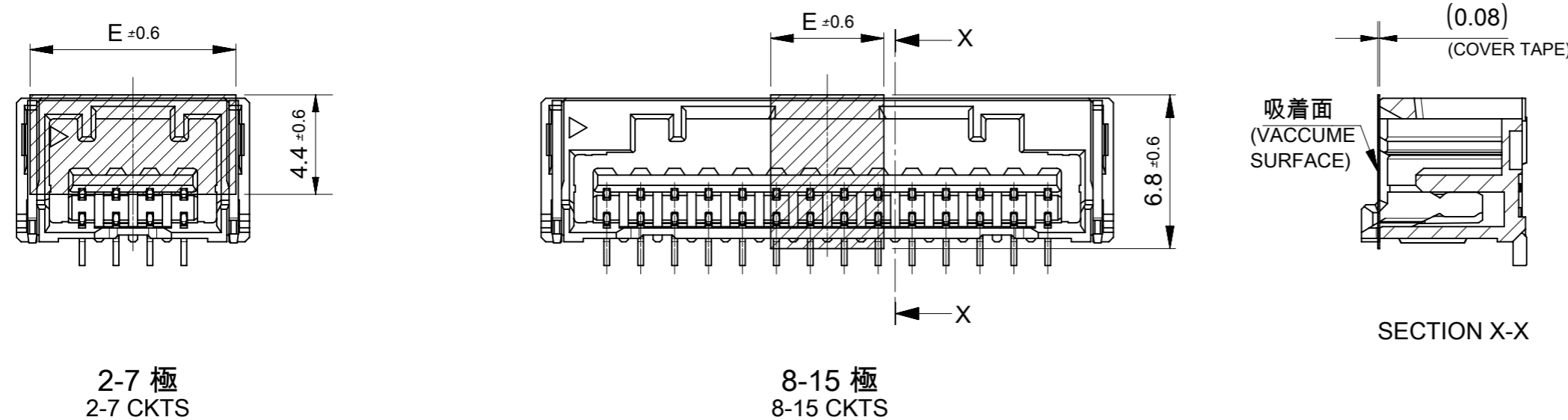
ロック形状および吸着エリア
LOCK SHAPE AND VACCUME AREA



WITH COVER TAPE

MATERIAL No. : 503339 **6*

ロック形状はカバーテープなし(503339 **7*)と共通
LOCK SHAPE IS SAME AS THAT WITHOUT COVER TAPE (503339 **7*)



5.0	12.1	15
		14
		13
10.1	10.1	12
		11
		10
8.6	8.6	9
		8
		7
13.6	7.1	7
12.1	6.2	6
10.6	3.2	5
9.1	2.9	4
7.6	2.15	3
6.1	2.0	2
E	D	極数 CIRCUIT NO

THIS DRAWING CONTAINS INFORMATION THAT IS PROPRIETARY TO MOLEX ELECTRONIC TECHNOLOGIES, LLC AND SHOULD NOT BE USED WITHOUT WRITTEN PERMISSION

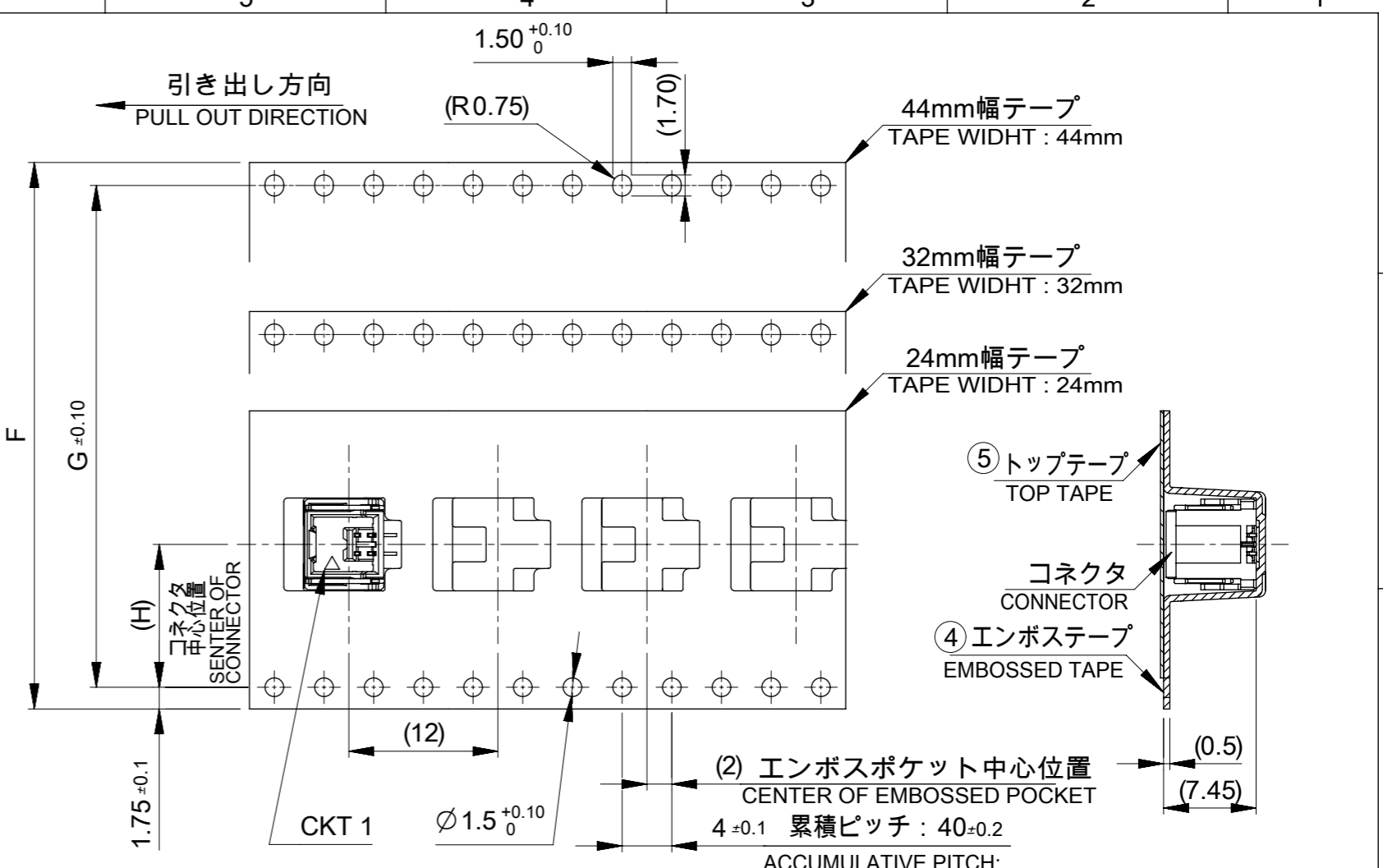
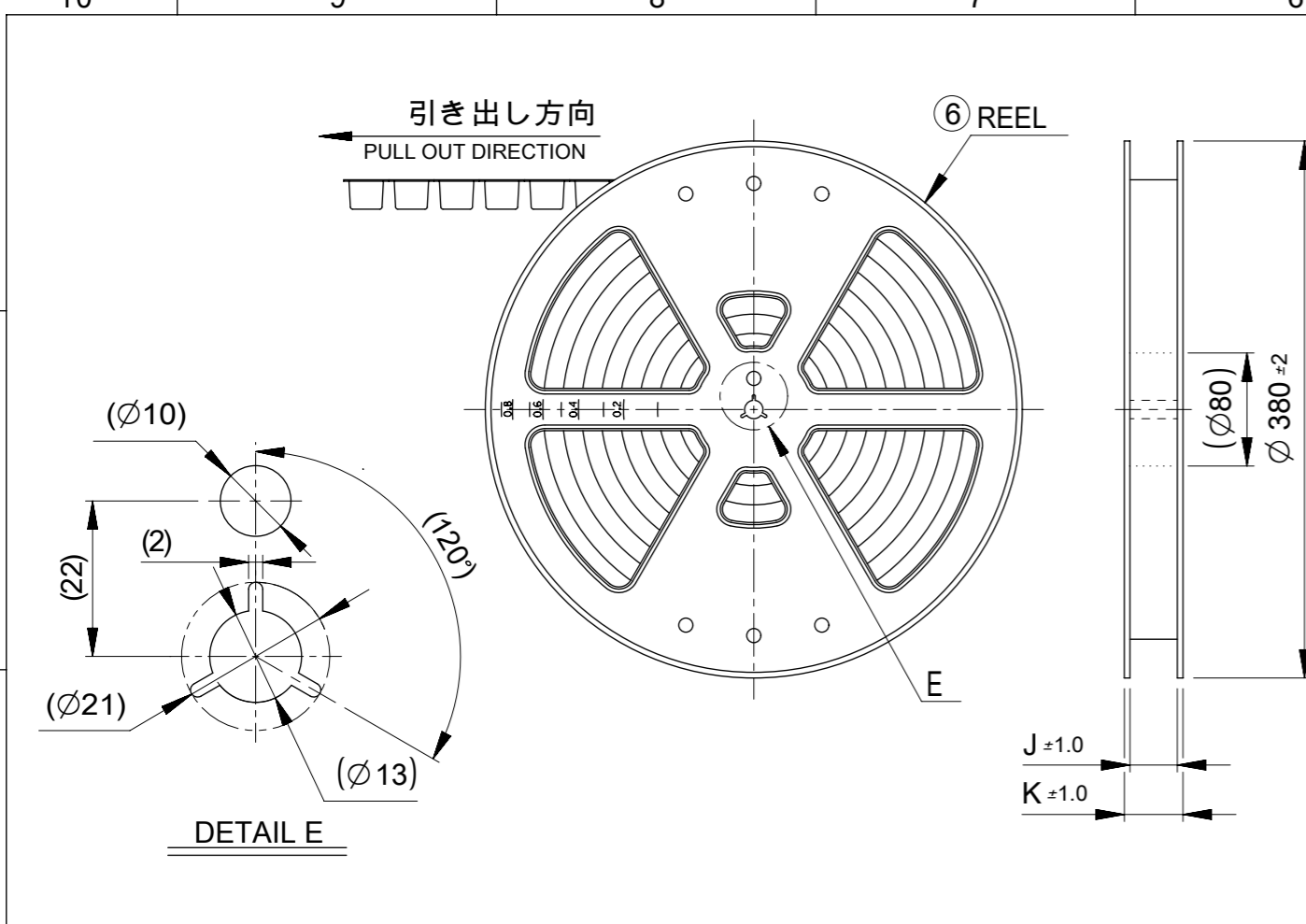
DIMENSION UNITS	SCALE	CURRENT REV DESC:	
mm	NTS		
GENERAL TOLERANCES (UNLESS SPECIFIED)			
ANGULAR TOL	± 3.0 °		
4 PLACES	± 0.2	EC NO: 638671	2020/06/01
3 PLACES	± 0.2	DRWN: MIKEDA01	2020/06/02
2 PLACES	± 0.2	CHK'D: SAKIYAMA	2020/06/02
1 PLACE	± 0.2	APPR: KOMURAKAMI	2020/06/02
0 PLACES	± 0.2	INITIAL REVISION:	
DRAFT WHERE APPLICABLE MUST REMAIN WITHIN DIMENSIONS		DRWN: MIKEDA01	2020/01/29
THIRD ANGLE PROJECTION		APPR: KOMURAKAMI	2020/03/03
DRAWING	SERIES	MATERIAL NUMBER	CUSTOMER
A3-SIZE	503339	5033390000-SD	GENERAL

molex

CLIK-MATE 1.5 SMT ST PA6T
SINGLE ROW SMT VT TYPE REC ASSY
TIN PLATING

PRODUCT CUSTOMER DRAWING

DOCUMENT NUMBER	DOC TYPE	DOC PART	REVISION
5033390000-SD	PSD	000	C
SHEET NUMBER		3 OF 6	



NOTES

- 5. 梱包数量 : 900個/リール
NUMBER OF CONNECTORS : 900 PIECES/REEL
 - 6. リードテープ長さ
LEAD TAPE LENGTH
-
- 7. トップテープの剥離強度はJIS C0806-3に準拠
TOP TAPE PEELING FORCE IS DEFINED BY JIS C0806-3.
 - 8. 本製品は乾燥剤入り、ハイバリア梱包である
THIS PRODUCT IS DELIVERD IN HIGH BARRIER PACKAGE WITH DESICCANT.

49.4	45.4	20.2	40.4	44 ± 0.3	15
					14
					13
					12
					11
					10
37.4	33.4	14.2	28.4	32 ± 0.3	9
					8
					7
					6
29.4	25.4	11.5	-	24 ^{+0.3} _{-0.1}	5
					4
					3
					2
K	J	H	G	エンボステープ幅F WIDTH OF TAPE	極数 CIRCUIT NO

番号 NO.	部品 PART	材質 MATERIAL
④	エンボステープ EMBOSSSED TAPE	ポリスチレン(PS) POLYSTYRENE(PS)
⑤	トップテープ TOP TAPE	ポリエチレン、ポリエチレンテレフタレート POLYETHLENE(PE), POLYETHYLENE TEREPHTHALATE(PET)
⑥	リール REEL	ポリスチレン(PS) <リサイクル材を含む> POLYSTYRENE(PS) <RECYCLE MATERIAL CONTAINED>

THIS DRAWING CONTAINS INFORMATION THAT IS PROPRIETARY TO MOLEX ELECTRONIC TECHNOLOGIES, LLC AND SHOULD NOT BE USED WITHOUT WRITTEN PERMISSION

DIMENSION UNITS mm	SCALE NTS	CURRENT REV DESC:		molex		
GENERAL TOLERANCES (UNLESS SPECIFIED)		EC NO: 638671				
ANGULAR TOL	± 3.0 °	DRWN: MIKEDA01 2020/06/01		PRODUCT CUSTOMER DRAWING		
4 PLACES	± 0.2	CHK'D: SAKIYAMA 2020/06/02		DOCUMENT NUMBER		
3 PLACES	± 0.2	APPR: KOMURAKAMI 2020/06/02		5033390000-SD		
2 PLACES	± 0.2	INITIAL REVISION:		DOC TYPE		
1 PLACE	± 0.2	DRWN: MIKEDA01 2020/01/29		PSD		
0 PLACES	± 0.2	APPR: KOMURAKAMI 2020/03/03		DOC PART		
DRAFT WHERE APPLICABLE MUST REMAIN WITHIN DIMENSIONS		THIRD ANGLE PROJECTION		REVISION		
		DRAWING A3-SIZE		000		
		SERIES 503339		C		
		MATERIAL NUMBER		SHEET NUMBER		
		CUSTOMER GENERAL		4 OF 6		

△₃ 適用製品及び各種仕様書
 APPLICABLE PRODUCTS AND VARIOUS SPECIFICATIONS

梱包仕様書 PACKAGING SPECIFICATION	PART NUMBER	DOCUMENT NUMBER
	503339 **6* 503339 **7*	SPK-503339-001

適用嵌合相手 MATE WITH	HOUSING	TERMINAL (TIN PLATING)	
		#24-28	#28-30
シリーズ番号 SERIES NUMBER	502578	502579 0000	503429 0000
製品仕様書 PRODUCT SPECIFICATION	5025780001-PS		

THIS DRAWING CONTAINS INFORMATION THAT IS PROPRIETARY TO MOLEX ELECTRONIC TECHNOLOGIES, LLC AND SHOULD NOT BE USED WITHOUT WRITTEN PERMISSION										
DIMENSION UNITS	SCALE	CURRENT REV DESC:				molex				
mm	NTS									
GENERAL TOLERANCES (UNLESS SPECIFIED)		EC NO: 638671 DRWN: MIKEDA01 2020/06/01 CHK'D: SAKIYAMA 2020/06/02 APPR: KOMURAKAMI 2020/06/02 INITIAL REVISION: DRWN: MIKEDA01 2020/01/29 APPR: KOMURAKAMI 2020/03/03				CLIK-MATE 1.5 SMT ST PA6T SINGLE ROW SMT VT TYPE REC ASSY TIN PLATING				
ANGULAR TOL ± 3.0 °						PRODUCT CUSTOMER DRAWING				
4 PLACES ± 0.2						DOCUMENT NUMBER		DOC TYPE	DOC PART	REVISION
3 PLACES ± 0.2						5033390000-SD		PSD	000	C
2 PLACES ± 0.2						MATERIAL NUMBER		CUSTOMER		SHEET NUMBER
1 PLACE ± 0.2						503339		GENERAL		5 OF 6
0 PLACES ± 0.2		DRAWING		SERIES						
DRAFT WHERE APPLICABLE MUST REMAIN WITHIN DIMENSIONS		THIRD ANGLE PROJECTION		A3-SIZE						

△ 4 製品一覧 PRODUCT LIST

HOUSING COLOR : GREEN		HOUSING COLOR : BLUE		HOUSING COLOR : RED		HOUSING COLOR : BLACK		HOUSING COLOR : NATURAL(BEIGE)		
WITHOUT COVER TAPE	WITH COVER TAPE	WITHOUT COVER TAPE	WITH COVER TAPE	WITHOUT COVER TAPE	WITH COVER TAPE	WITHOUT COVER TAPE	WITH COVER TAPE	WITHOUT COVER TAPE	WITH COVER TAPE	
---	503339 1566	---	503339 1564	---	503339 1562	---	503339 1561	503339 1570	503339 1560	15
	503339 1466		503339 1464		503339 1462		503339 1461	503339 1470	503339 1460	14
	503339 1366		503339 1364		503339 1362		503339 1361	503339 1370	503339 1360	13
	503339 1266		503339 1264		503339 1262		503339 1261	503339 1270	503339 1260	12
	503339 1166		503339 1164		503339 1162		503339 1161	503339 1170	503339 1160	11
	503339 1066		503339 1064		503339 1062		503339 1061	503339 1070	503339 1060	10
	503339 0966		503339 0964		503339 0962		503339 0961	503339 0970	503339 0960	9
	503339 0866		503339 0864		503339 0862		503339 0861	503339 0870	503339 0860	8
	503339 0766		503339 0764		503339 0762		503339 0761	503339 0770	503339 0760	7
	503339 0666		503339 0664		503339 0662		503339 0661	503339 0670	503339 0660	6
	503339 0566		503339 0564		503339 0562		503339 0561	503339 0570	503339 0560	5
	503339 0466		503339 0464		503339 0462		503339 0461	503339 0470	503339 0460	4
	503339 0366		503339 0364		503339 0362		503339 0361	503339 0370	503339 0360	3
	503339 0266		503339 0264		503339 0262		503339 0261	503339 0270	503339 0260	2
オーダー番号 ORDER No										極数 CIRCUIT

THIS DRAWING CONTAINS INFORMATION THAT IS PROPRIETARY TO MOLEX ELECTRONIC TECHNOLOGIES, LLC AND SHOULD NOT BE USED WITHOUT WRITTEN PERMISSION													
DIMENSION UNITS		SCALE		CURRENT REV DESC:				molex					
mm		NTS											
GENERAL TOLERANCES (UNLESS SPECIFIED)				EC NO: 638671 DRWN: MIKEDA01 2020/06/01 CHK'D: SAKIYAMA 2020/06/02 APPR: KOMURAKAMI 2020/06/02 INITIAL REVISION: DRWN: MIKEDA01 2020/01/29 APPR: KOMURAKAMI 2020/03/03				CLIK-MATE 1.5 SMT ST PA6T SINGLE ROW SMT VT TYPE REC ASSY TIN PLATING					
ANGULAR TOL ± 3.0 °								PRODUCT CUSTOMER DRAWING					
4 PLACES ± 0.2		3 PLACES ± 0.2						2 PLACES ± 0.2		1 PLACE ± 0.2		0 PLACES ± 0.2	
DRAFT WHERE APPLICABLE MUST REMAIN WITHIN DIMENSIONS								THIRD ANGLE PROJECTION		DRAWING		SERIES	
										A3-SIZE		503339	
DOCUMENT STATUS		P1		RELEASE DATE		2020/06/02 07:06:23		DOCUMENT NUMBER		DOC TYPE	DOC PART	REVISION	
								5033390000-SD		PSD	000	C	
								MATERIAL NUMBER		CUSTOMER		SHEET NUMBER	
										GENERAL		6 OF 6	