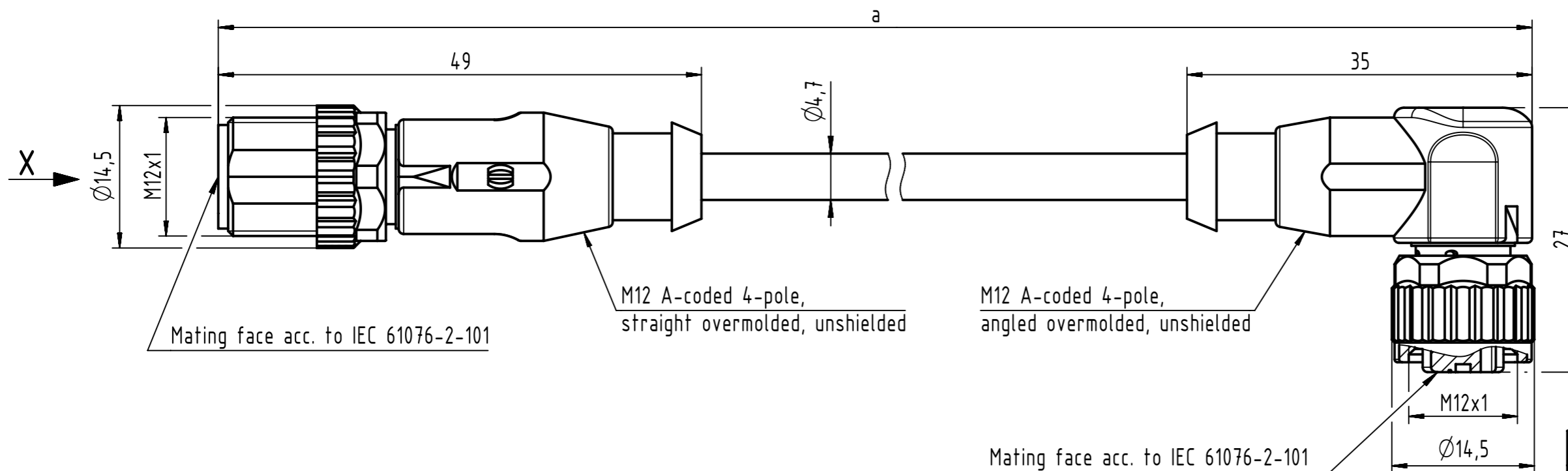


Connector Location A

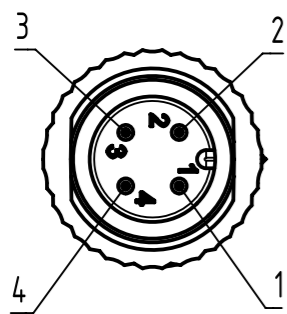
Connector Location B



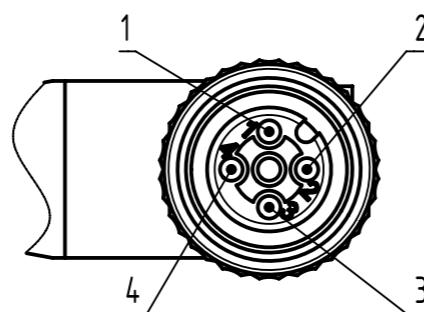
X
male

Loading-Plan

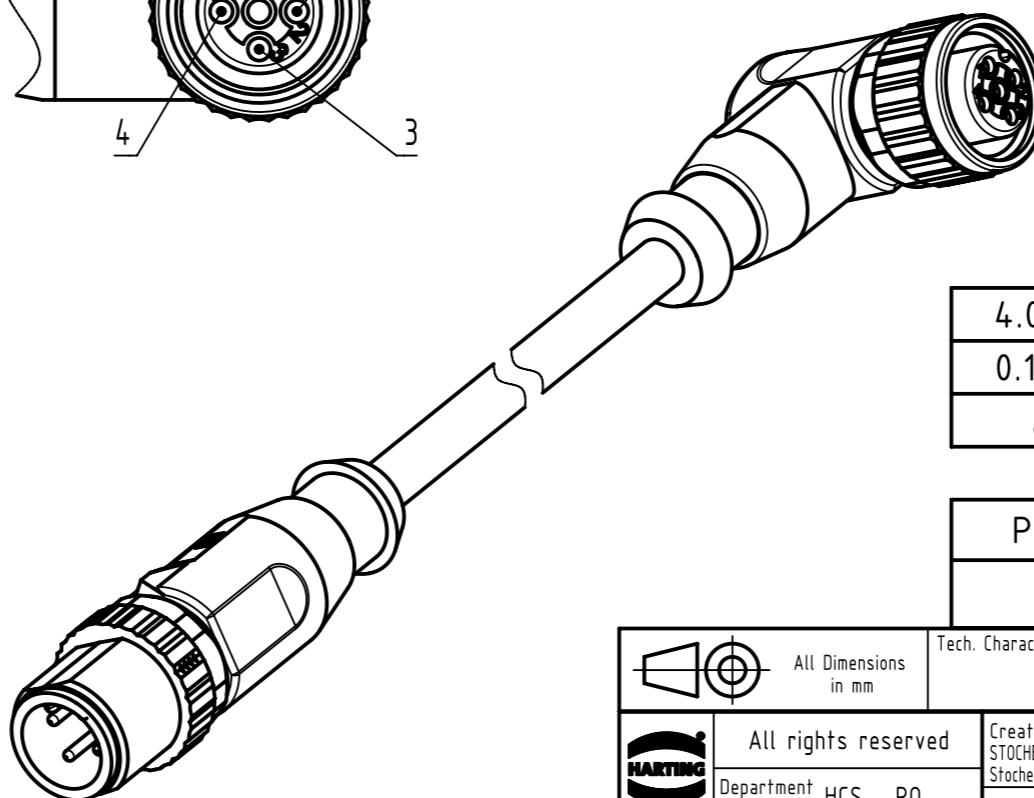
Y
female



- 1 — brown — 1
- 2 — white — 2
- 3 — blue — 3
- 4 — black — 4



- Protection level: IP 65/67
- Temperature range: -25°C ... +80°C



4.0 to 40	±1%
0.1 to 3.9	+0.04
a [m]	Tolerance

length in "1m" step	40	XXX=400
	39	XXX=390
	.	.
	12	XXX=120
length in "0.1m" step	11	XXX=110
	10	XXX=100
	9.9	XXX=099
	9.8	XXX=098
	.	.
	0.4	XXX=004
	0.3	XXX=003
	0.2	XXX=002
	0.1	XXX=001
Step	a [m]	XXX

PUR black, 4x0.34mm ²	21348487491XXX
Type of cable	Part no.

All Dimensions in mm		Tech. Character.		Free size tol.		According to production drawing	
All rights reserved Department HCS - RO HARTING Customised Solutions D-32339 Espelkamp	Created by STOCHECIC Stochechi	Inspected by COSTEA Costea	Standardisation MUNTEANV Muntean	Date 2018-12-14	State Final Release		Doc-Key / ECM-Nr. 100806544/UGD/009/A 500000144869 Rev. A Page 1/1
	Title M12 Cable Assembly A-cod st/an m/f			Type TB	Number 21348487491XXX		