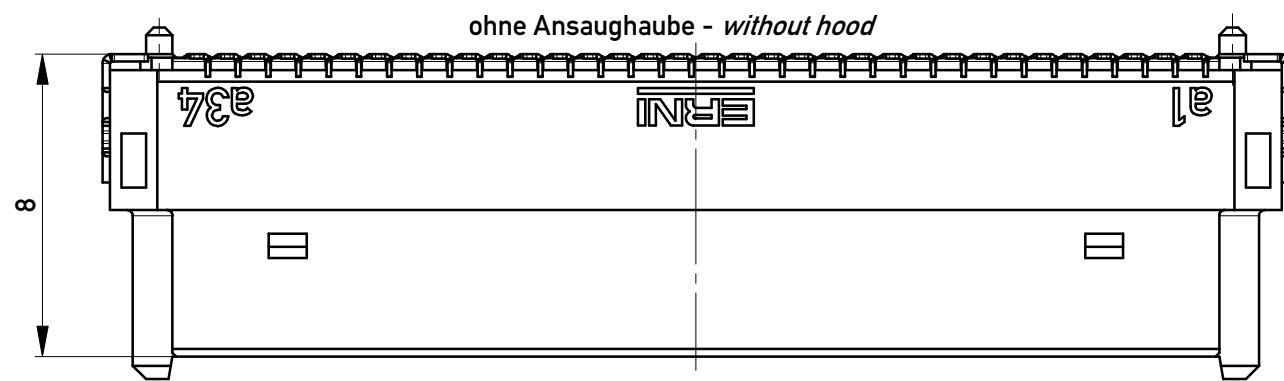
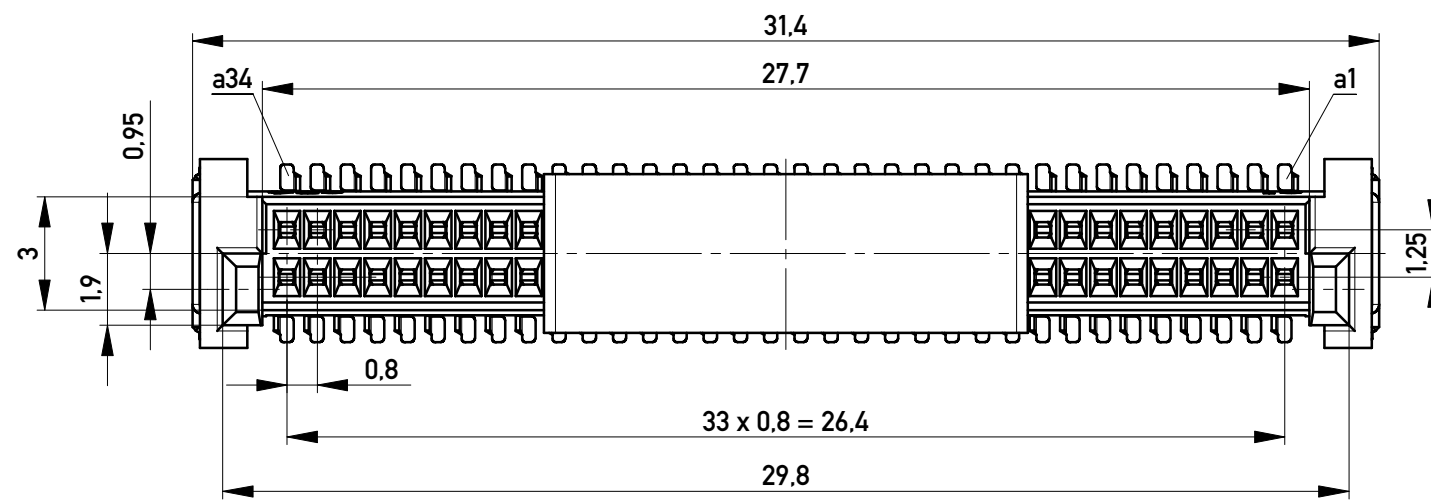
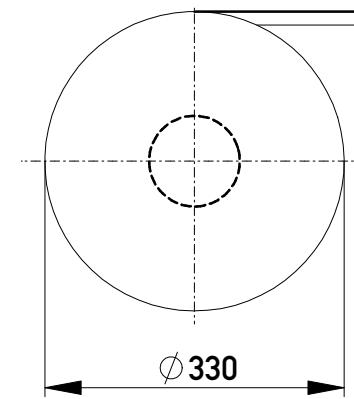


Verpackt im Gurt in Anlehnung an DIN IEC 60286-3  
 Tape on Reel Packaging according to DIN IEC 60286-3  
 Verpackungseinheit: 420 Stück  
 Packaging unit: 420 pcs



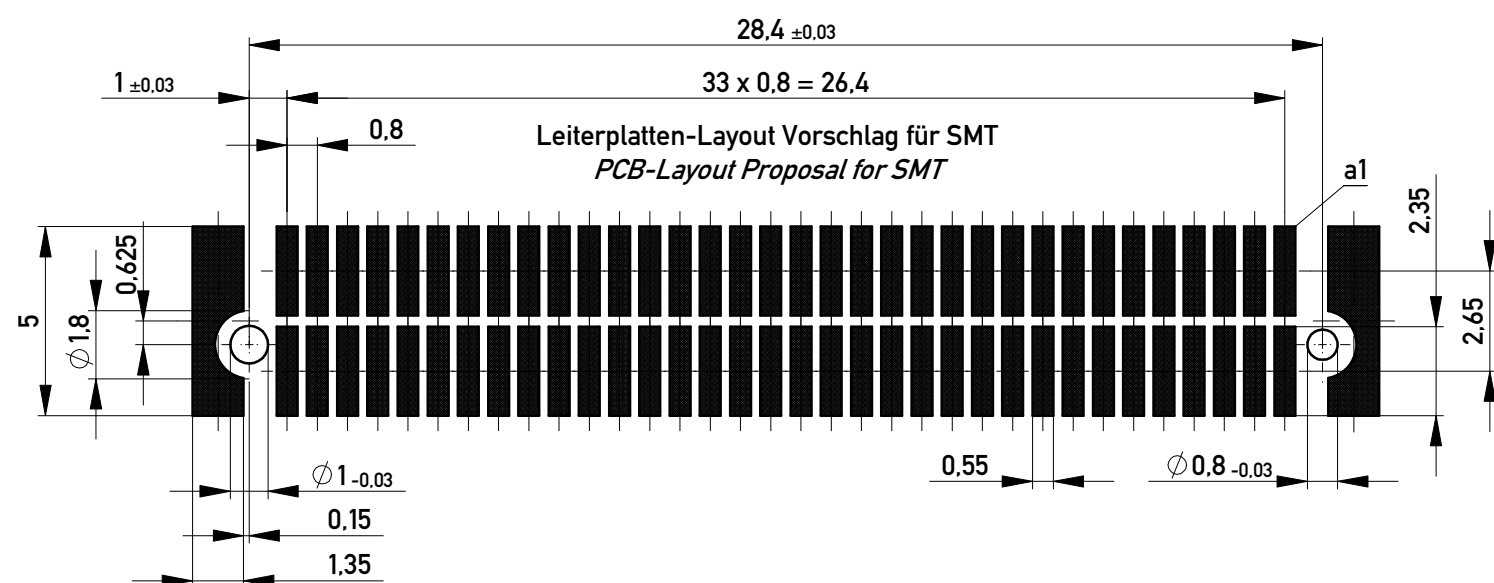
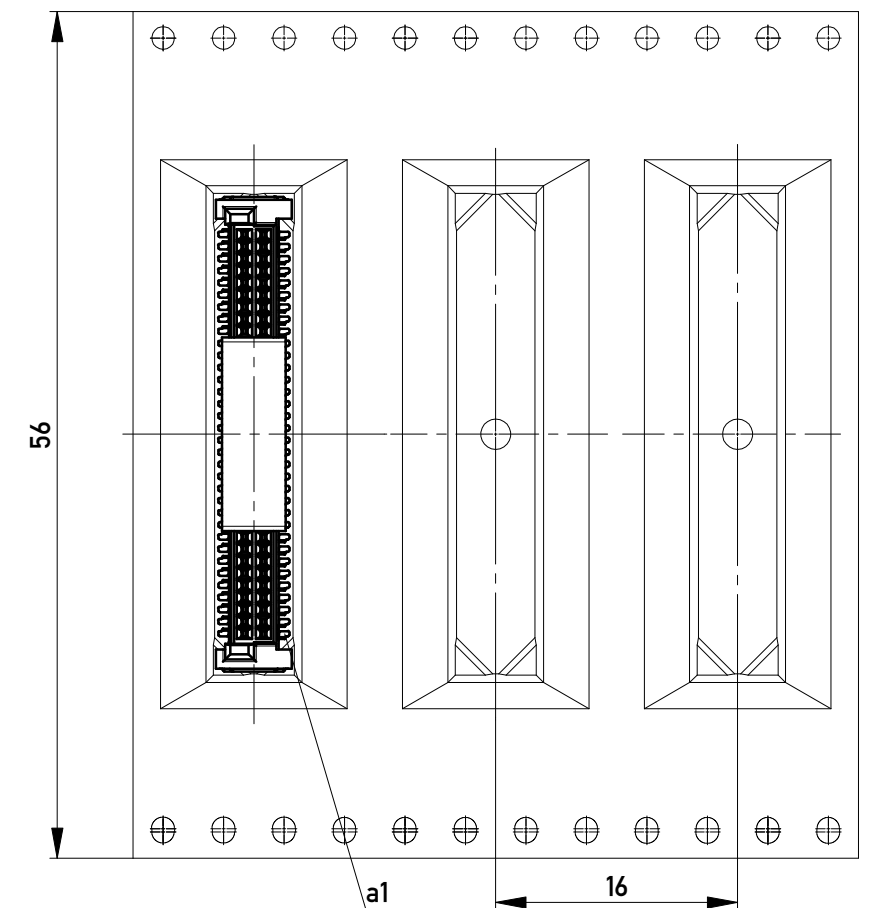
Anforderungsstufe 1  
 Performance Level 1

Kontaktbereich vergoldet  
 Mating Area gold plating

Anschlussbereich verzinkt 4-6 µm  
 Terminal Area 4-6 µm tin plating

Koplanarität der Anschlüsse ≤ 0,1 mm  
 Coplanarity Area of Termination ≤ 0,1 mm

Abspulrichtung - Reel off Direction



Copyright by ERNI Production GmbH & Co. KG  
 Proprietary notice pursuant to ISO 16016 to be observed.

Information:		Tolerances	Scale	5:1
All rights reserved. Only for Information. To ensure that this is the latest version of this drawing, please contact one of the ERNI companies before using.		All Dimensions in mm		
Subject to modification without prior notice. Drawing will not be updated.		Designation		
		0,8 DRC-B, F 8mm, 68 polig		
		0,8 DRC-B, F 8mm, 68 pin		
		294031		I
		www.ERNI.com		A3
b	23.06.2016	Class		DRCB
Index	Date			