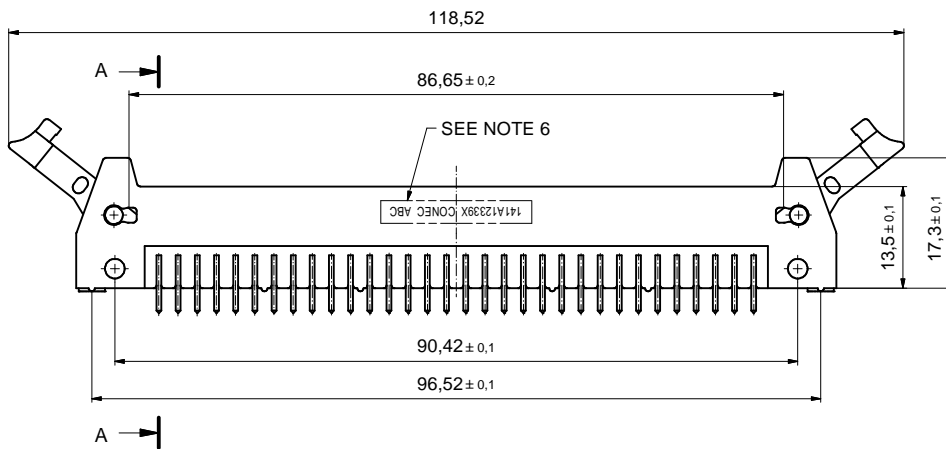
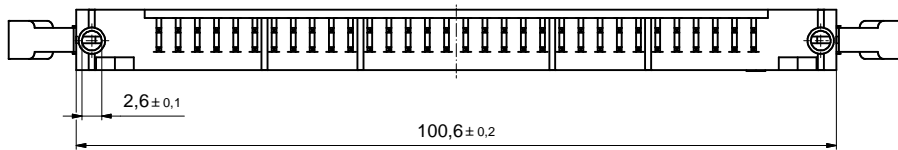
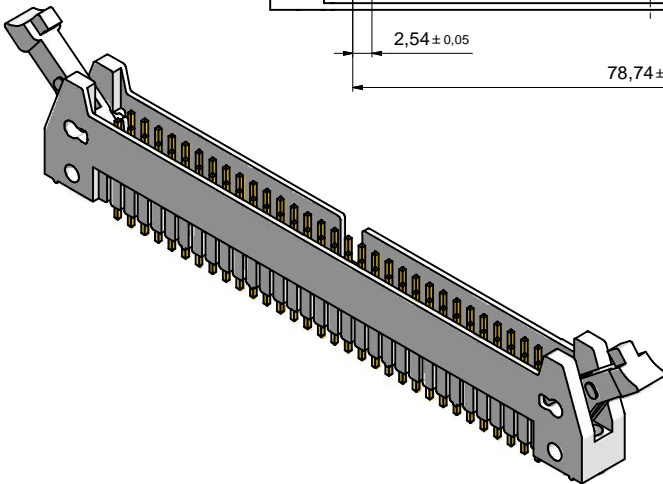
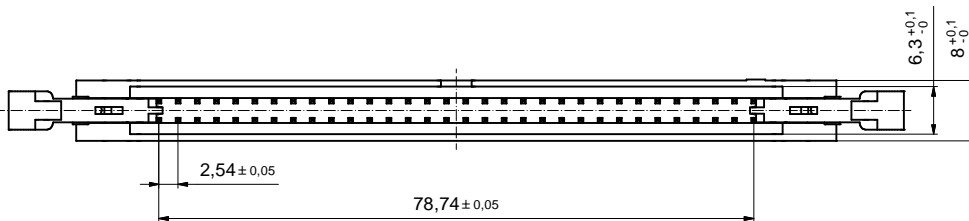
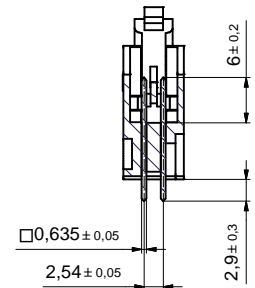


P.C.B. HOLE DRILLINGS  
(P.C.B. TOP SIDE)



A-A (2:1)



NOTES:

- INSULATORS: PBT, V0 UL 94 V-0, GREY
- CONTACTS: COPPER ALLOY  
PLATING: GOLD OVER NICKEL  
50 MATING CYCLES
- OPERATING TEMPERATURE RANGE: -40°C TO +105°C
- CURRENT CARRYING CAPACITY: 1A
- TEST VOLTAGE: 1000 Veff.
- CONNECTOR IS PART MARKED: 141A12339X CONEC ABC

APPROVAL # FREIGABE # DEBLOCAGE # AUTORIZACION # APPROVAL	
CUSTOMER APPROVAL DATE:	
NAME:	TITLE:
COMPANY NAME:	
APPROVAL # FREIGABE # DEBLOCAGE # AUTORIZACION # APPROVAL	

THIS DRAWING MAY NOT BE COPIED OR REPRODUCED IN ANY MANNER AND MAY NOT BE PASSED ON TO A THIRD PARTY WITHOUT WRITTEN PERMISSION.  
 OWNERSHIP AND COPYRIGHT OF CONEC GmbH  
 DO NOT ALTER CAD DRAWING BY HAND

finish:		tolerance		scale: 2:1
rev. description date name		dim. in mm		material: SEE NOTES
drawn 06.11.09 Sonnenberg		title:		
appd. 06.11.09 Mickenbecker		HEADER		
norm		64pos. STRAIGHT SOLDER PINS		
d-old		with long latch		
a Origin		dwg no:	Inventor	DIN-A2
CONEC		14K1A025		sh: 1
part no:		141A12339X		

