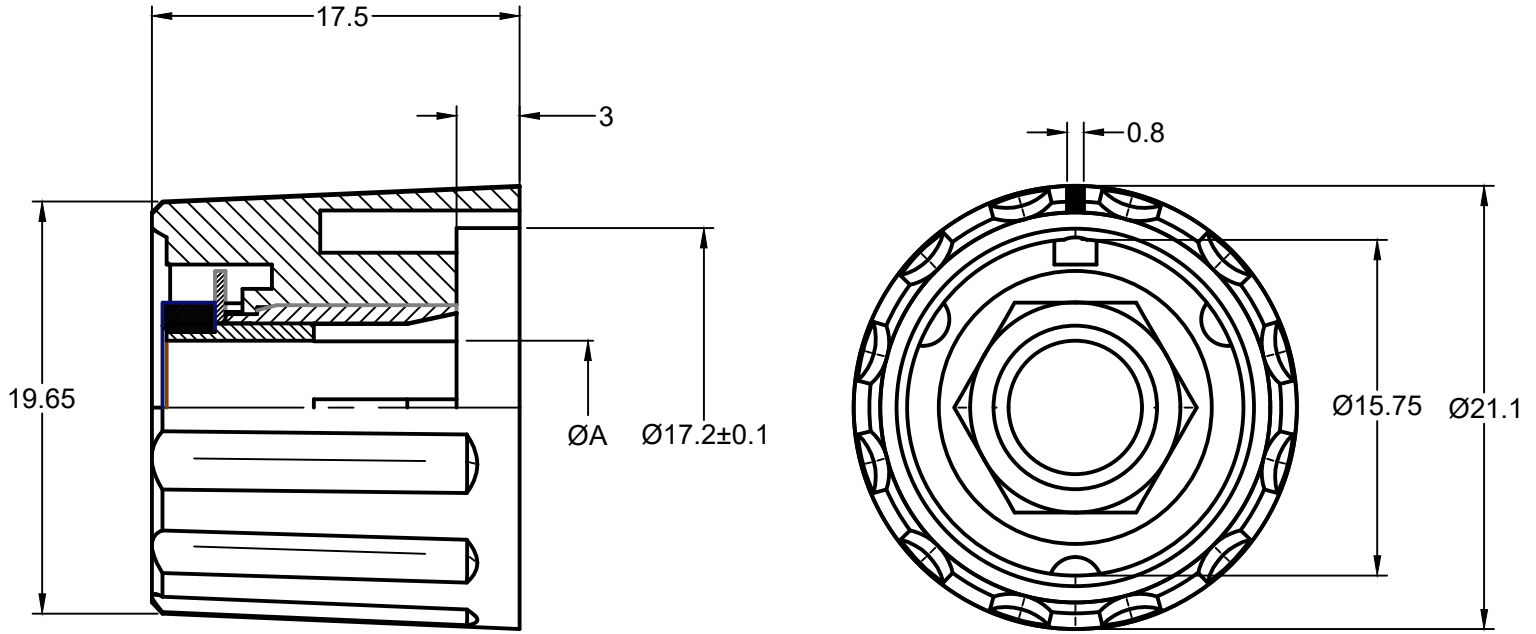


MATERIAL AND FINISH
 Knob: Polyamide, Matte Finish
 Collet, Sleeve & nut: Brass 58

RoHS
 COMPLIANT



ORDERING CODE:

27-21-XX X
 1 2

1) SHAFT DIAMETER (A)

- 36 = 3mm
- 37 = 1/8"
- 46 = 4mm
- 76 = 6mm
- 75 = 1/4"

2) COLOR (SEE CHART)

P/N	COLOR
27-21-XX1	LIGHT GRAY
27-21-XX2	GRAY
27-21-XX3	BLACK
27-21-XX4	RED

TOLERANCE UNLESS OTHERWISE SPECIFIED	
X	± 1
X.X	± 0.4
X.XX	± 0.13
DRAWN BY	PB
CHECK BY	DATE: 3/17/22
APPR BY	DATE:

Power Dynamics, Inc.
 Phone: 973 560-0019 Whippary, New Jersey Fax: 973 560-0076

PART: STANDARD KNOB; MATTE FINISH WITH LINE
 21mm KNOB DIAMETER; COAXIAL TYPE

PART #: **26-21-XXX**

SIZE: A
 SCALE: NTS

ALL DIMENSIONS FOR REFERENCE ONLY
 DIMENSIONS ARE IN MILLIMETERS

SHEET 1 of 1
 REV:

REVISIONS	CHANGE	CHK	CHK	APPR
REV	DATE			