



Features:

- Competitive cross to the 3M (MDR) connectors
- High speed, high density shielded I/O connectors
- Ribbon contact is on a grid that provides small footprint connectors
- "D" shape interface assures correct polarity
- Metal shells improve EMI / RFI shielding
- Contacts : 14 / 26 / 36 way PCB side connectors
- Accepts a wide variety of cable constructions
- Accepts a wide variety of shielded junction shells

Overview:

The 858 series of MDR connectors from Amphenol are a range of high density I/O connectors with shielding and ribbon contacts on a 0.5 pitch. The reliable connection and EMI/ESD protection give the 858 series excellent electrical performance in high data rate, low voltage and differential signal transmission applications.

Applications:

- Control Systems
- SCSi Applications
- Telecom Equipment
- Scientific Instruments



To learn more about 858 series of MDR connectors:

web: amphenolcanada.com

email: sales@amphenolcanada.com

Technical Characteristics:

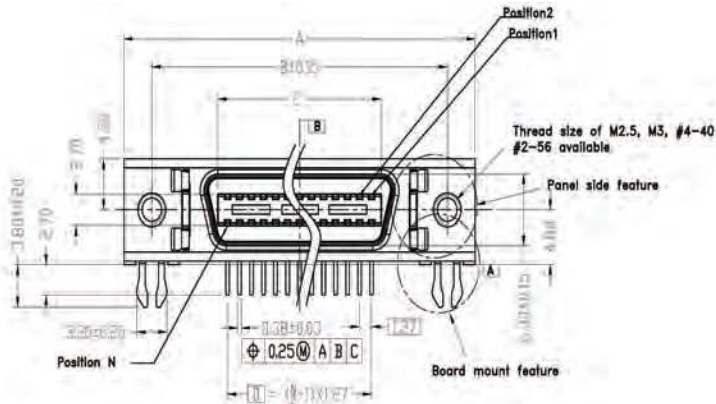
| Part Number | Type | Gender | PCB/Cable Mount | Board Lock | Number of Pins | Contact | Contact Resistance | Plating | Packaging |
|-----------------|-------|------------|-------------------------------|--------------------|----------------|--|--------------------|---------|---------------|
| 858F014821200D1 | PCB | Receptacle | Right Angle Through Hole Type | Without Board Lock | 14 Pins | Phosphor Bronze Nickel UnderPlated Tin Plated on termination area | 60mΩ max | 30u" | Tape and Reel |
| 858F026821200D1 | | | | | 26 Pins | | | | Tape and Reel |
| 858F036821200D1 | | | | | 36 Pins | | | | Tape and Reel |
| 858F03684010022 | | | Press Fit Type | Board Lock | 36 Pins | | | | N/A |
| 858M036C1120011 | Cable | Plug | IDCVER | N/A | 36 Pins | Phosphor Copper Nickel UnderPlated Gold Flash Plating in Tail Area | 35mΩ max. | 30u" | Tray |

| 858FXXXB21200DX | |
|-----------------|---|
| Number of Pins | • 14 Pins • 26 Pins • 36 Pins • 50 Pins • 68 Pins • 80 Pins |
| Plating | • 30 u" Gold Plating + Gold Flash • 15 u" • Gold Flash |
| PCB Mount | • R/A Through Hole Type • Press Fit Type |

| C858MXXXC112001X | |
|------------------|---|
| Number of Pins | • 26 Pins • 36 Pins |
| Plating | • 30 u" Gold Plating or Gold Flash Over Pd/Ni for IDC Type • 15 u" • Gold Flash |
| Cable Mount | • IDC VER • IDC HOR • Slodder VER • Slodder "U" form |

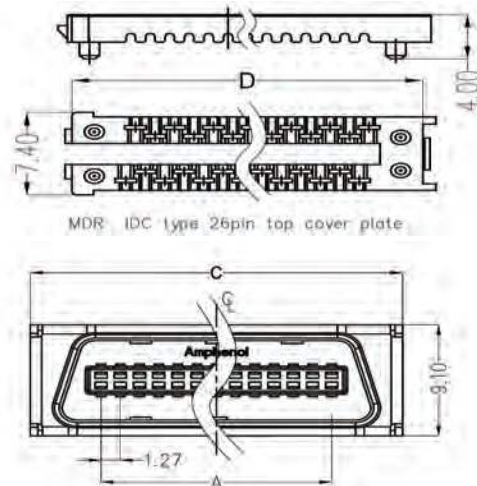
Dimensions:

858FXXXB21200DX



All drawings are measured in inches (mm).

C858MXXXC112001X



* Please visit amphenolcanada.com to find drawings for other products in this series.