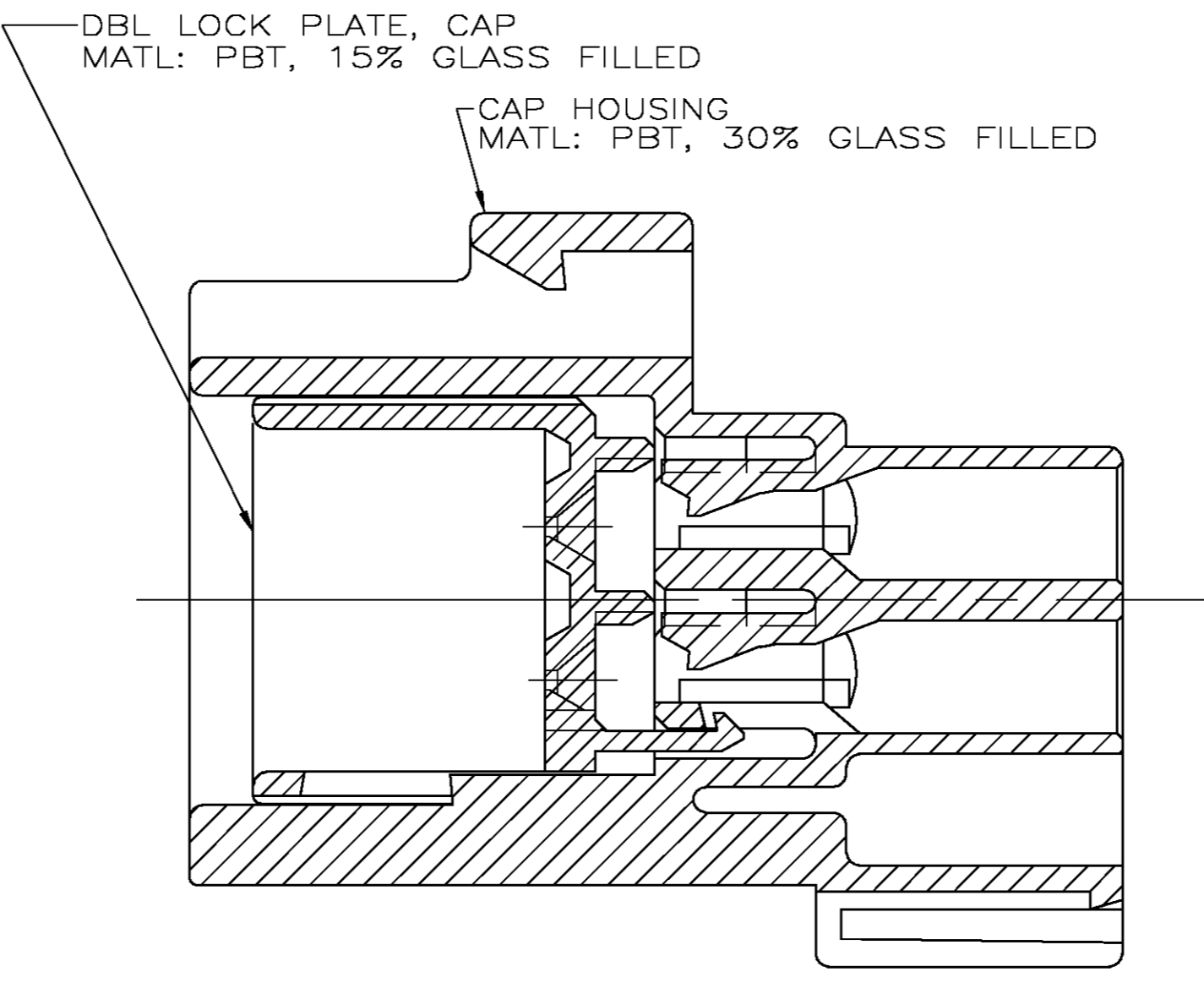
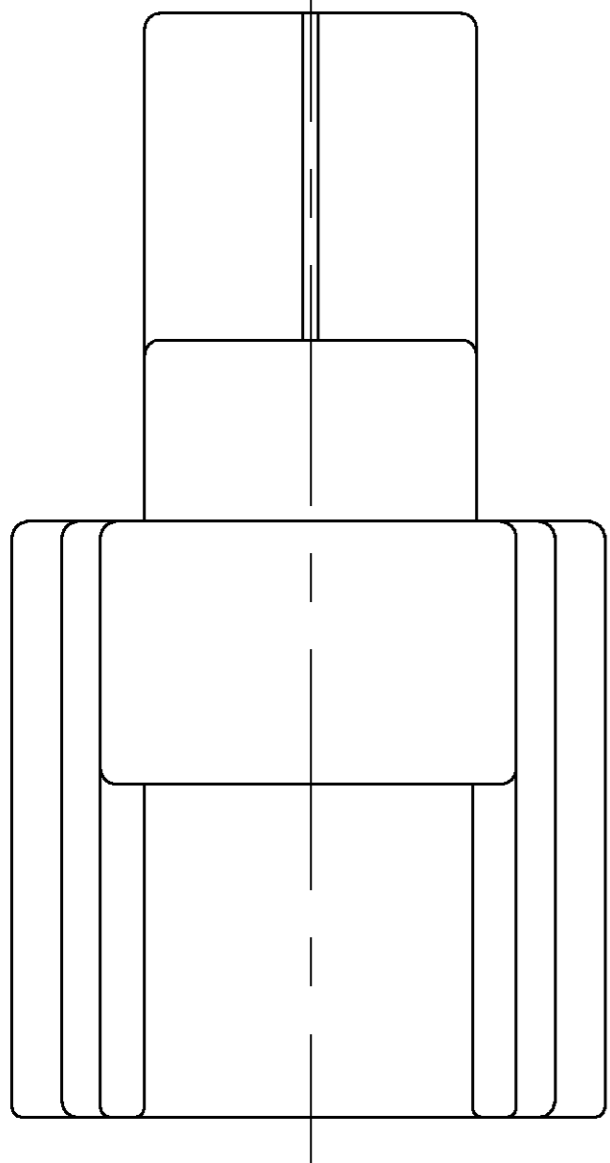
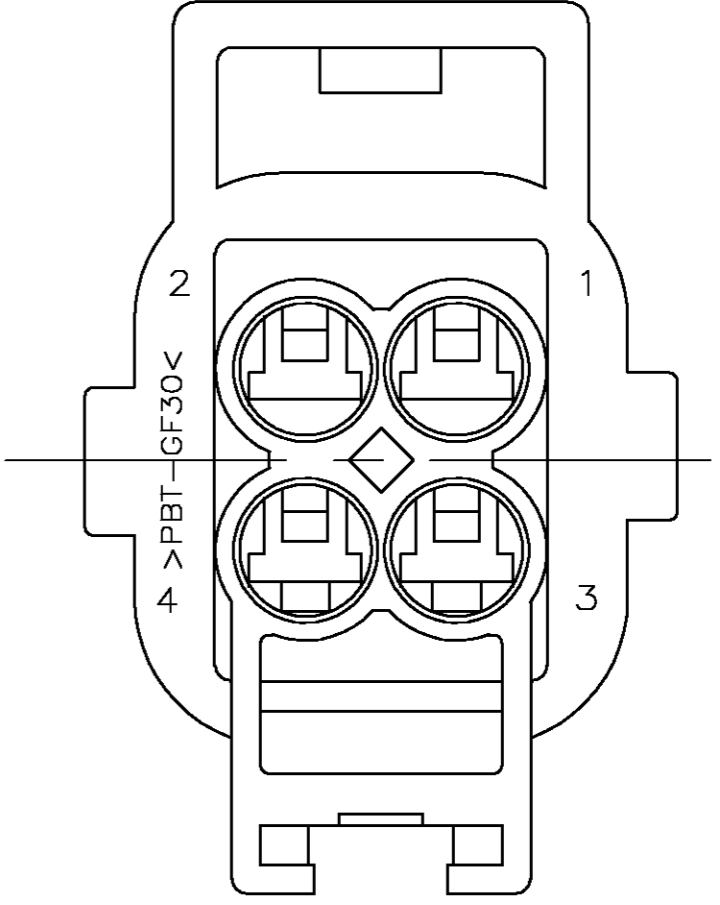
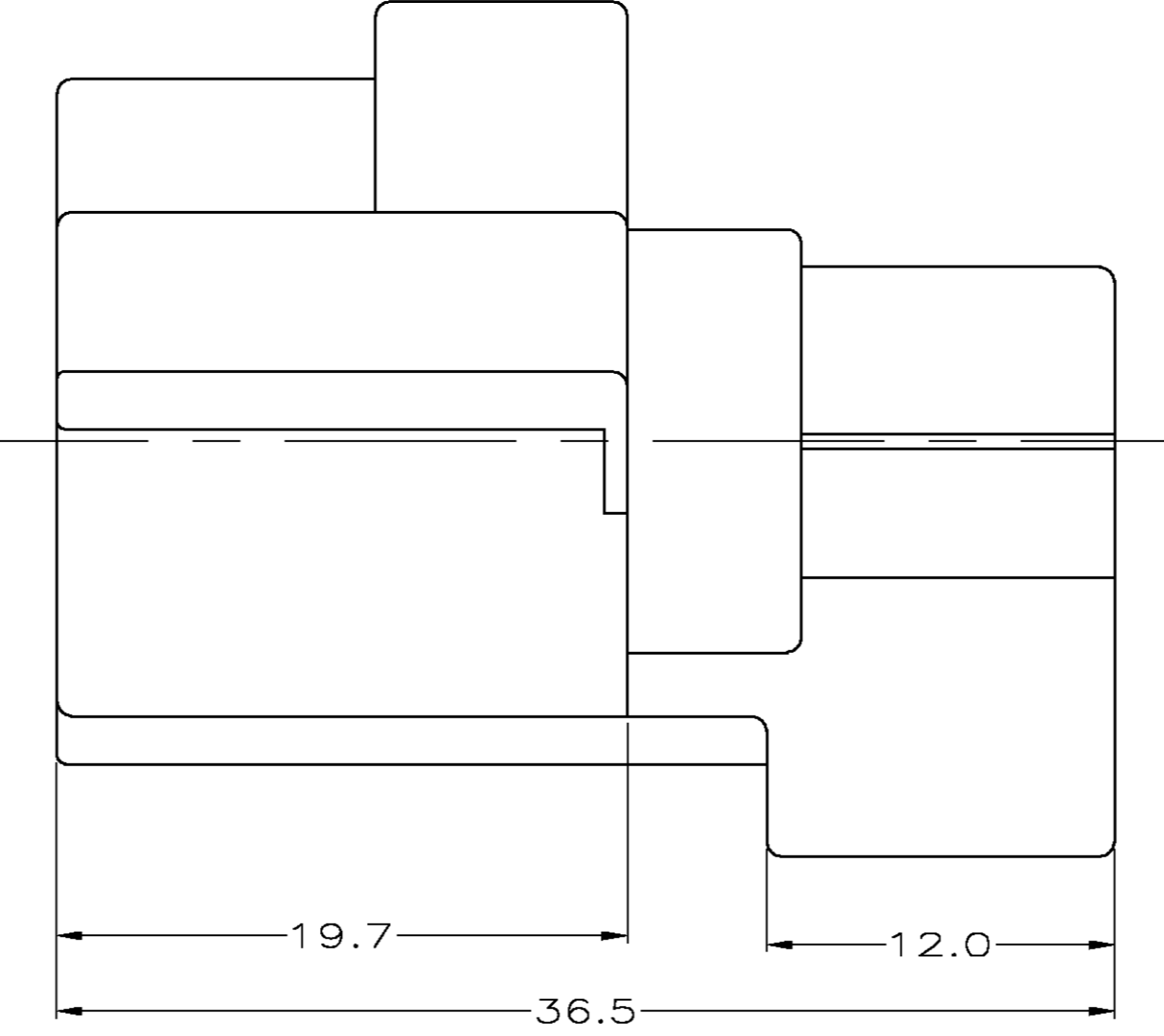
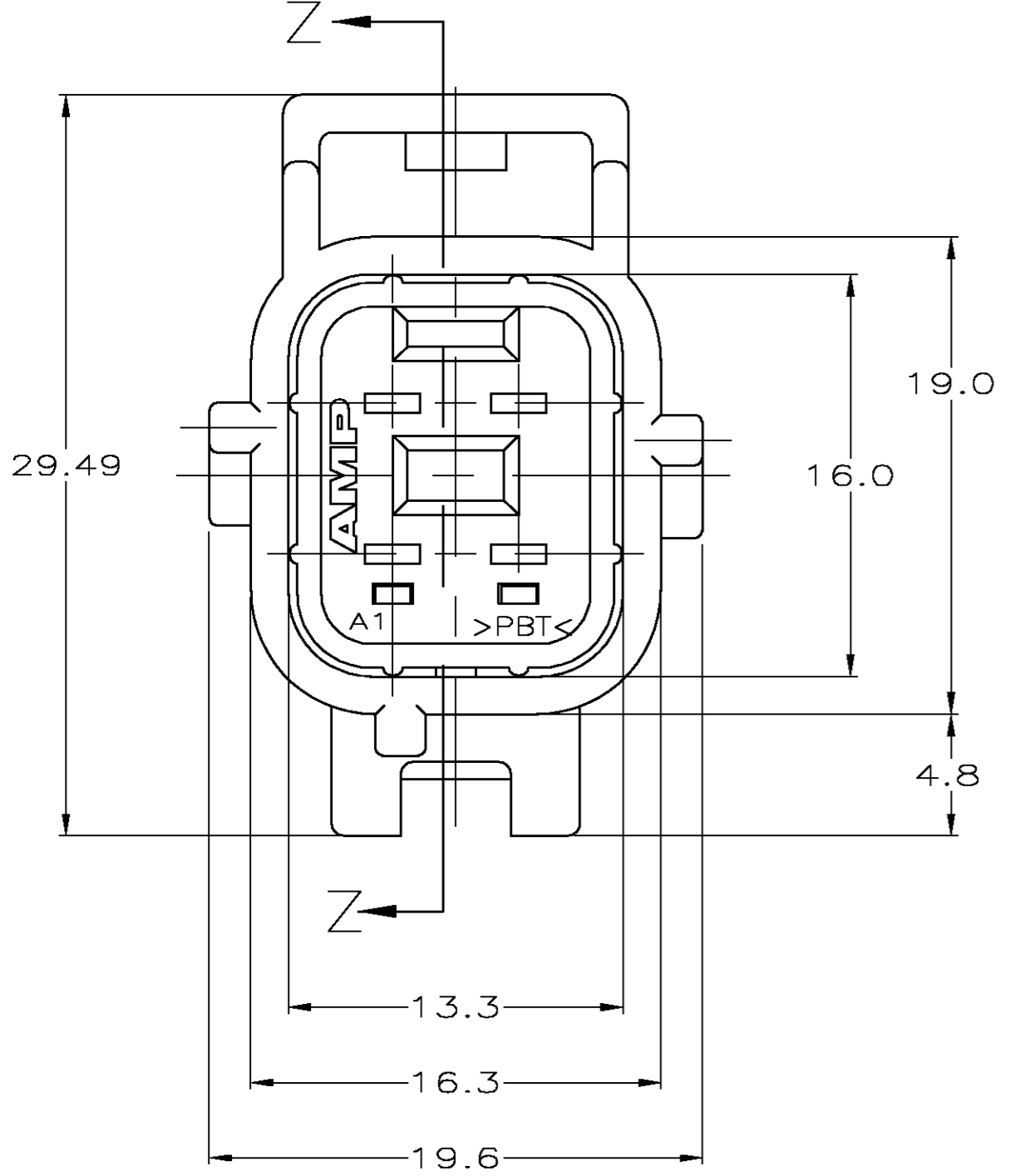


THIS DRAWING IS UNPUBLISHED. RELEASED FOR PUBLICATION
 © COPYRIGHT BY TYCO ELECTRONICS CORPORATION. ALL RIGHTS RESERVED.

LOC	DIST	REVISIONS					
GE	00	P	LTR	DESCRIPTION	DATE	DWN	APVD
		B		EC 0K40-0014-03	03FEB03	JRB	KLC



SECTION Z-Z
SCALE 4:1



BLACK	184406-1
CAP COLOR	PART NUMBER

THIS DRAWING IS A CONTROLLED DOCUMENT.		DWN	AJ GRAFF	03AUG01	 Tyco Electronics Corporation Harrisburg, PA 17105-3608
DIMENSIONS: MM		CHK	K COBLE	03AUG01	
TOLERANCES UNLESS OTHERWISE SPECIFIED:		APVD	K COBLE	03AUG01	
0 PLC ± - 1 PLC ± 0.3 2 PLC ± 0.30 3 PLC ± - 4 PLC ± - ANGLES ± - FINISH -		PRODUCT SPEC			
MATERIAL		APPLICATION SPEC	NAME		2 X 2 CAP ASY, KEY E-C3
		WEIGHT	SIZE		A2
		CUSTOMER DRAWING	CAGE CODE	DRAWING NO	00779 C=184406
		SCALE	SHEET	OF	1 1
		REV	B		