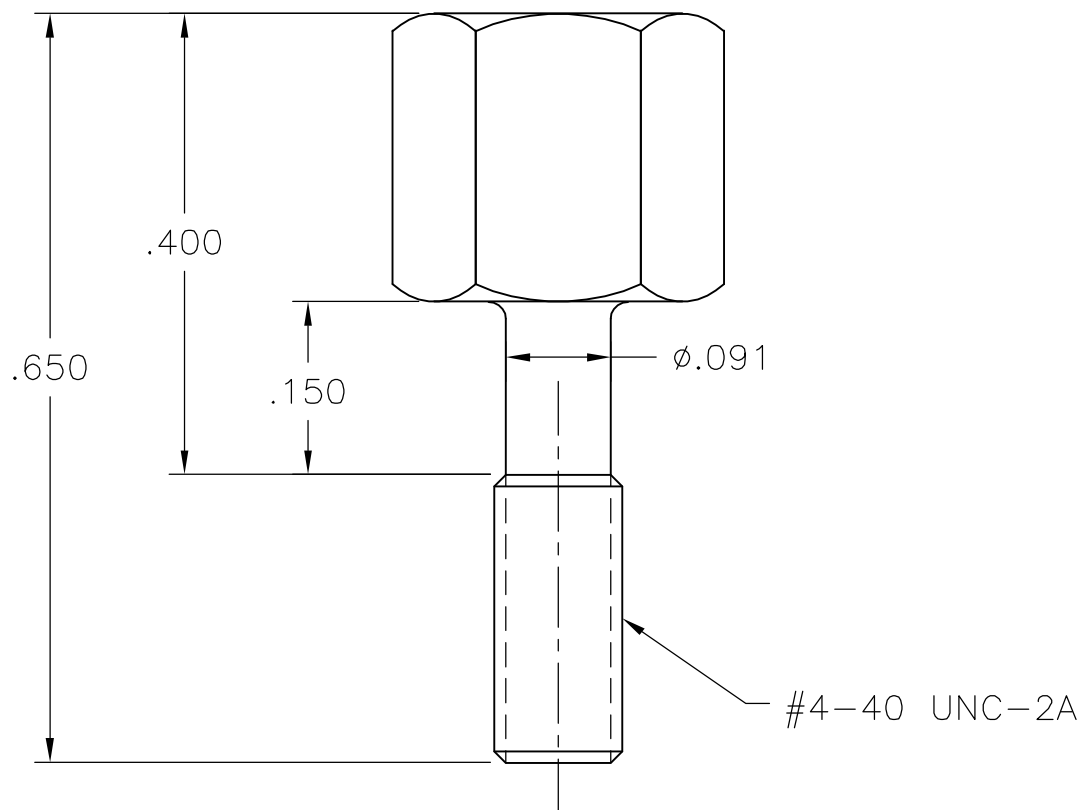


1 MATERIAL: ZINC PLATE WITH YELLOW TRIVALENT CHROMATE OVER STEEL.

2. ALL DIMENSIONS SHOWN ARE FOR REFERENCE ONLY UNLESS OTHERWISE SPECIFIED.



1	AS SHOWN, PLATED	5552657-1
FINISH	DESCRIPTION	PART NUMBER

DWN	25JAN07	MATERIAL	1	HEAT TREAT	-
B. MCMASTER					
CHK	25JAN07	Tyco Electronics Corporation Harrisburg, Pa 17105-3608			
W. MILLHIMES					
APVD	25JAN07				
W. MILLHIMES					
NAME SCREW, MTG, HEX HD (FOR .062 BACK PANEL MTG)					
SCALE	SIZE	DRAWING NO	SHEET	OF	REV
4:1	A3	5552657	1	1	0

DIMENSIONS: INCHES		TOLERANCES UNLESS OTHERWISE SPECIFIED:	
	0 PLC	±	-
	1 PLC	±	-
	2 PLC	±	.02
	3 PLC	±	.005
	4 PLC	±	-
ANGLES ±		-	
SURFACE TEXTURE			

	O	RELEASED	25JAN07	BM	WM	
P	LTR	REVISION RECORD	DATE	DWN	APVD	

THIS INFORMATION IS CONFIDENTIAL AND PROPRIETARY TO TYCO ELECTRONICS CORPORATION AND ITS WORLDWIDE SUBSIDIARIES AND AFFILIATES. IT MAY NOT BE DISCLOSED TO ANYONE, OTHER THAN TYCO ELECTRONICS PERSONNEL, WITHOUT WRITTEN AUTHORIZATION FROM TYCO ELECTRONICS CORPORATION, HARRISBURG, PENNSYLVANIA USA.

LOC
GP
DIST
00

D
C
B
A