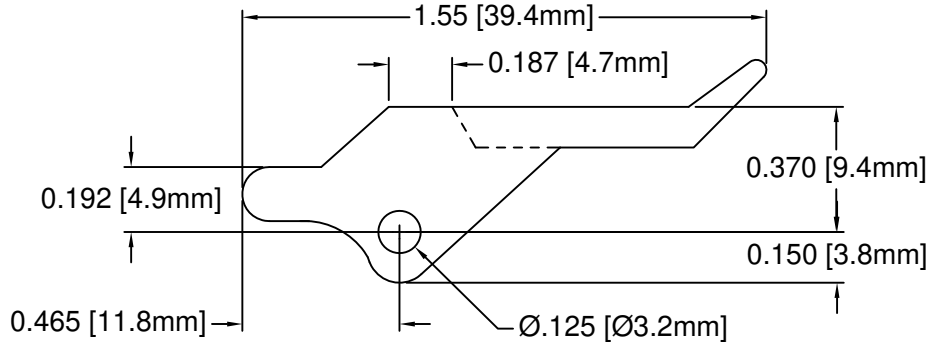
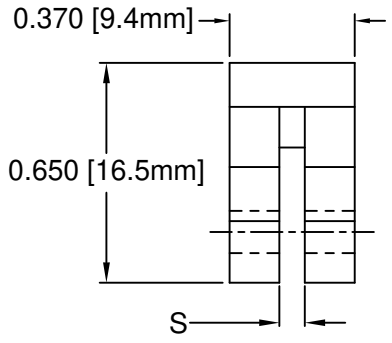
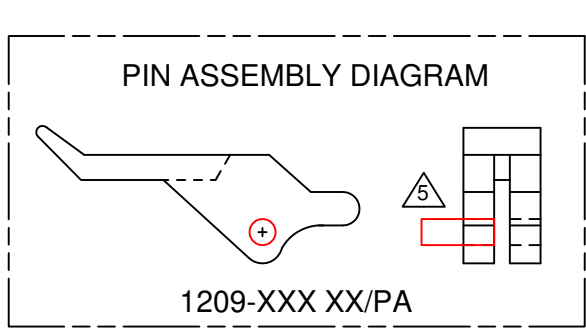
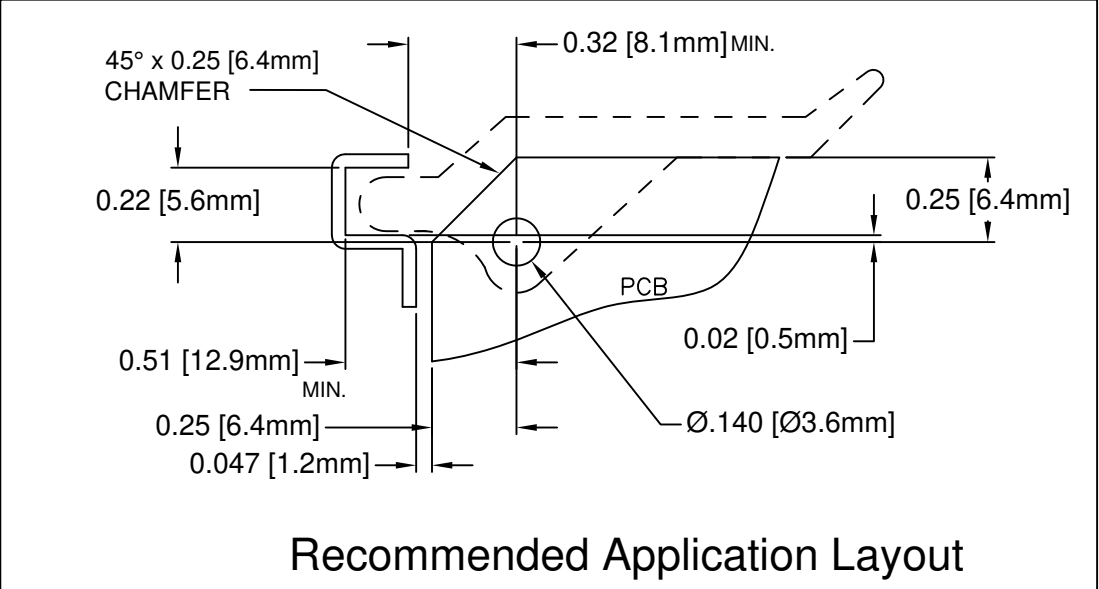


REV.	DESCRIPTION	DATE	APPROVED
D	Added Note 5 Pin Assembly	05/01/08	M. C.
E	Added /PA Diagram	05/14/09	T. Y.
F	Added 1209-093 WE	09/05/12	T. Y.
G	Removed Part From Part Offering List	09/29/15	J. C.
H	Added Note 4, 5, 6 & Color Options Sheet #2	05/16/16	J. C.



PART NO.	COLOR	ROLL PIN	S	PCB THICKNESS
1209-062 NT	NATURAL	RP-375	.075"(1.9mm)	.062"(1.6mm)
1209-062 WE	WHITE	RP-375		
1209-062 XX	SEE S.#2	RP-375		



Recommended Application Layout

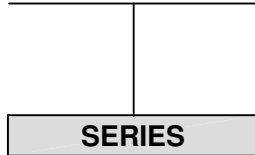
5. PRE-ASSEMBLED ROLL PINS AVAILABLE UPON REQUEST. ADD /PA SUFFIX ON P/N. INSERT PIN INTO Ø.125" HOLE.
- ROLL PINS INCLUDED. PACKAGED SEPARATELY.
 - MATERIAL: NYLON 6/6, 94V-0, WHITE.
 - MATERIAL: NYLON 6/6, 94V-2, NATURAL.
 - GENERAL SPECIFICATIONS: BIVAR MOLDED COMPONENT SPECIFICATION BV00-E101.

STANDARD TOLERANCE (UNLESS OTHERWISE SPECIFIED)		 4 THOMAS, IRVINE, CA. 92618 TEL.: (949) 951-8808 FAX: (949) 951-3974	
DECIMALS	ANGULAR		
.X ± .1	X° ± 1°		TITLE: PCB INSERTER/EXTRACTOR, CARD-O-PULL
.XX ± .01			PART NO: 1209-XXX XX
.XXX ± .005			REVISION: H
DESIGNED: M. Chen	DATE: 02/24/03	CAGE CODE : 32559	SHEET # 1 OF 2
CHECKED: D. Green	DATE: 02/25/03	CAD GENERATED DOCUMENT. DO NOT MEASURE DRAWING.	

OTHER AVAILABLE COLORS
 * SEE TABLE FOR ORDERING INFORMATION



REV.	DESCRIPTION	DATE	APPROVED
	SEE SHEET #1		

1209-062



ORDER CODE	COLOR
AA	AQUA
BK	BLACK
BE	BLUE
BN	BROWN
FG	FOREST GREEN
GY	GRAY
GN	GREEN
LE	LIME
OE	ORANGE
PK	PINK
RD	RED
VT	VIOLET
YW	YELLOW

6. PARTS ARE DYED TO COLOR UPON REQUEST.

STANDARD TOLERANCE (UNLESS OTHERWISE SPECIFIED) DECIMALS ANGULAR		 4 THOMAS, IRVINE, CA. 92618 TEL: (949) 951-8808 FAX: (949) 951-3974	
			
DESIGNED: M. Chen	DATE: 02/24/03	TITLE: PCB INSERTER/EXTRACTOR, CARD-O-PULL	REVISION: H
CHECKED: D. Green	DATE: 02/25/03	PART NO: 1209-XXX XX	SHEET # 2 OF 2
		CAGE CODE : 32559	
CAD GENERATED DOCUMENT. DO NOT MEASURE DRAWING.			