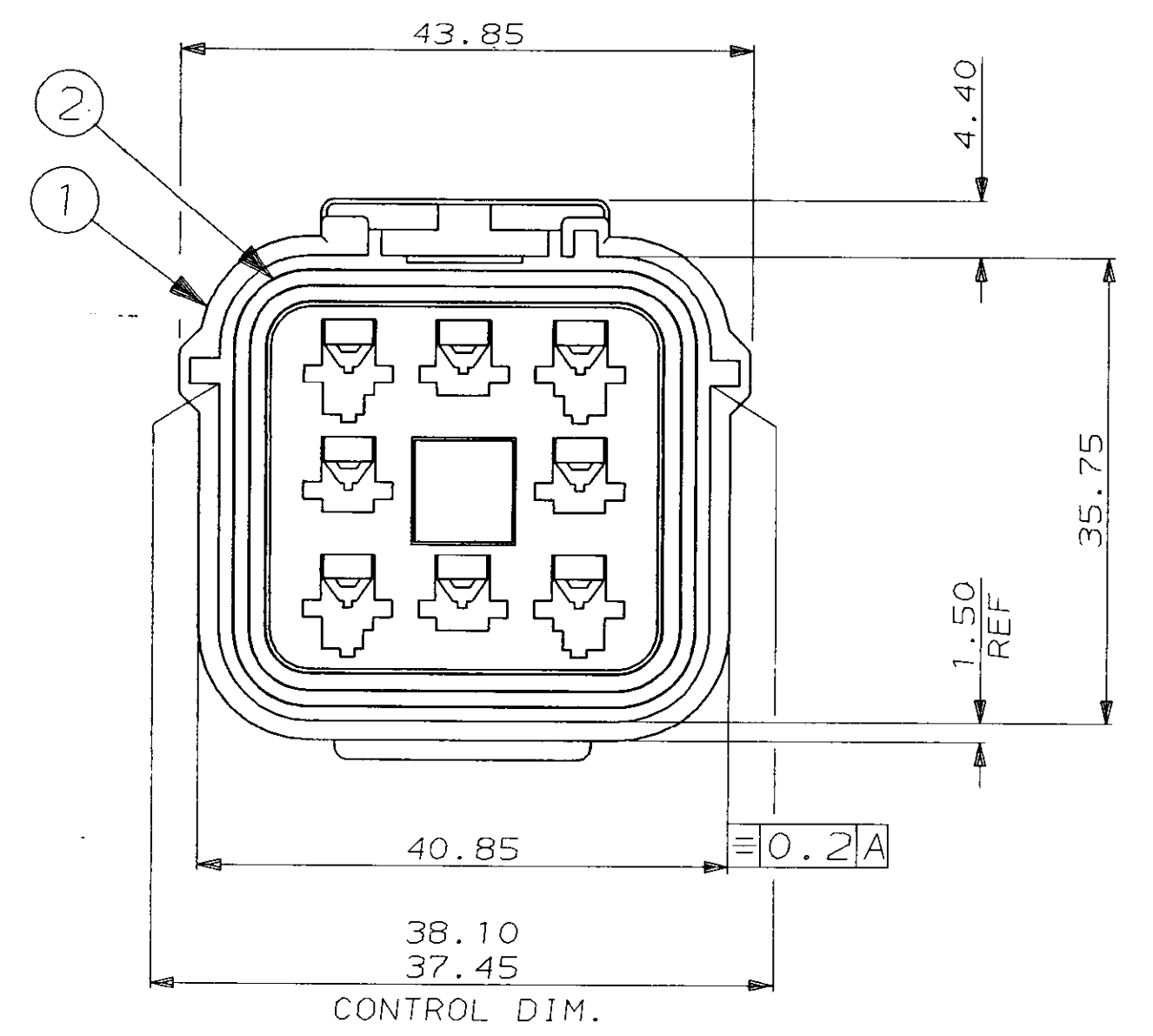
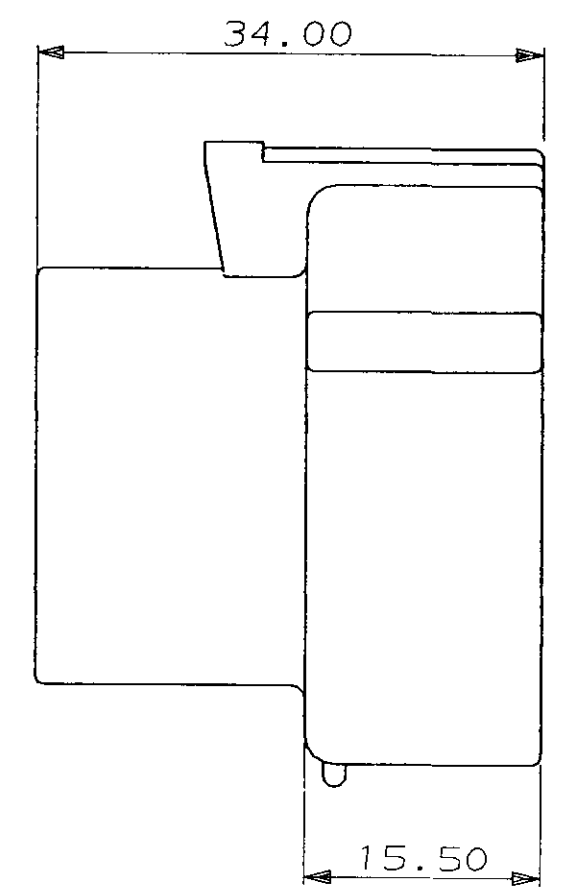
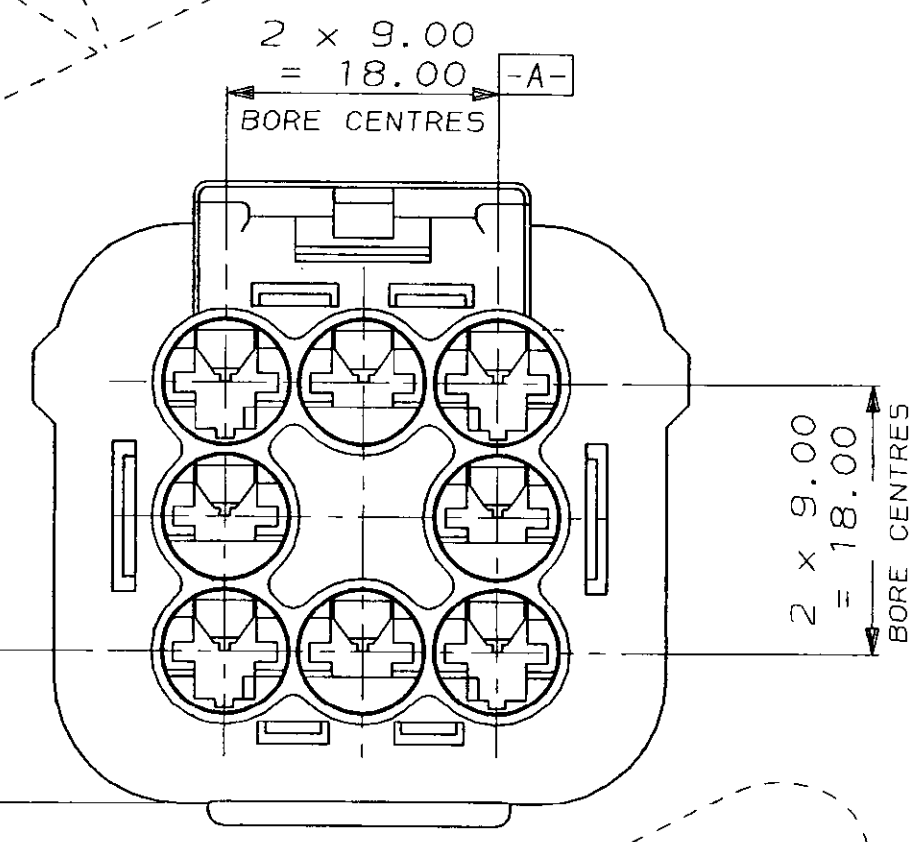
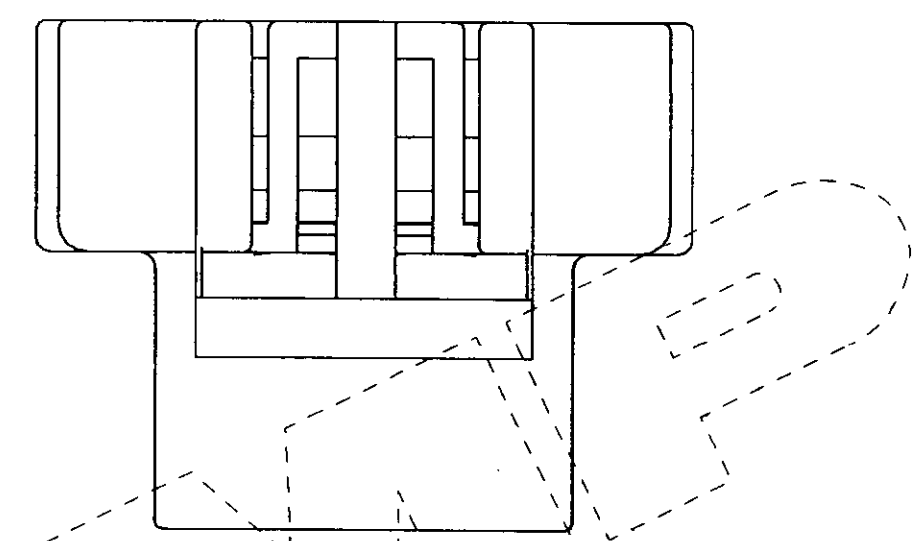
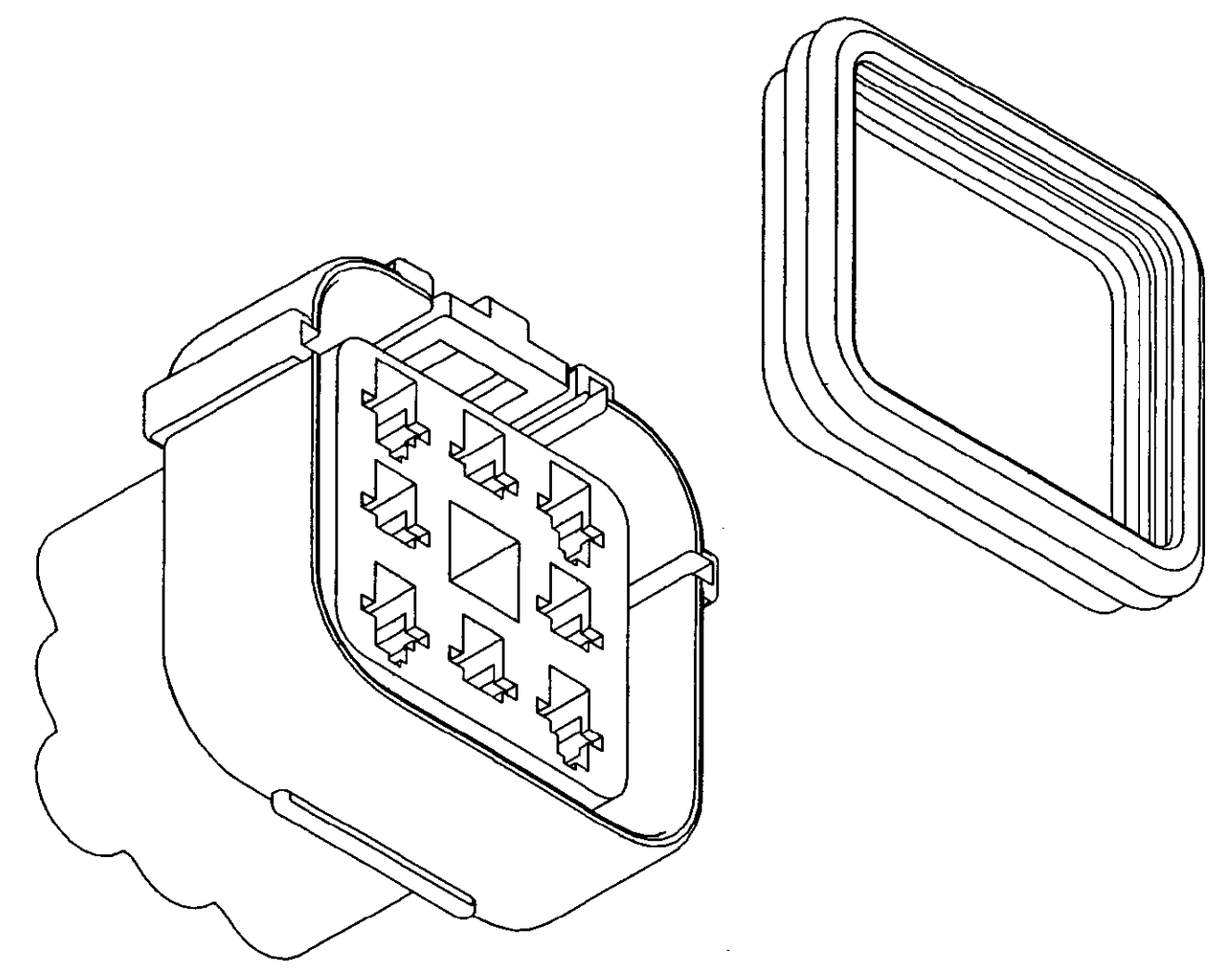


SCRAP VIEW (SEAL NOT SHOWN)



ITEM No.	MATERIAL	PART NO. OR COLOUR	DESCRIPTION	QTY. PER ASSY.	ASSEMBLY PART No.
2	SILICONE RUBBER	ORANGE	PERIPHERAL SEAL	1	344079-4 (WHITE)
1	NYLON 6.6	344076-4	8 WAY REC. HSG.	1	344079-3 (BLUE)
2	SILICONE RUBBER	ORANGE	PERIPHERAL SEAL	1	344079-2 (RED)
1	NYLON 6.6	344076-3	8 WAY REC. HSG.	1	344079-1 (BLACK)
2	SILICONE RUBBER	ORANGE	PERIPHERAL SEAL	1	
1	NYLON 6.6	344076-2	8 WAY REC. HSG.	1	
2	SILICONE RUBBER	ORANGE	PERIPHERAL SEAL	1	
1	NYLON 6.6	344076-1	8 WAY REC. HSG.	1	

CUSTOMER DWG FOR REFERENCE ONLY				© COPYRIGHT 1987 BY AMP OF GREAT BRITAIN LTD. ALL INTERNATIONAL RIGHTS RESERVED. ALL PRODUCTS MAY BE COVERED BY BRITISH AND FOREIGN PATENTS AND/OR PATENTS PENDING.		RELEASED FOR PUBLICATION 23/06/87	
-	-	-	-	TOLERANCES UNLESS OTHERWISE STATED :		DR. I. J. 23/06/87	
E	PER. SEAL MOD.	E800-0134-94	11.10.94	DEC ± 0.5		CH. R. J. S. APP. B. J.	
D	ADDED -2, -3 & 4	C5970	26.11.91	ANGLES ± 1°		AMP of Great Britain Ltd. TERMINAL HOUSE STANMORE MIDD.	
C	R1B REMOVED	C5331	5/9/89	NAME 8 WAY RECEPTACLE HSG ASSY ECONOSEAL 3 HIGH CURRENT			
B	UPDATED	C5241	14.6.89	SCALE 2/1 LOC E SIZE A2 DWG.No. C344079			
A	UPDATED	C5008	21.7.88	REV SHEET E 1/1			
O	REL. FOR PROD.	C4755	24.2.88				
REV	MODIFICATION	ECN	DATE				

C.A.D. FILE CODE S. C344079.E