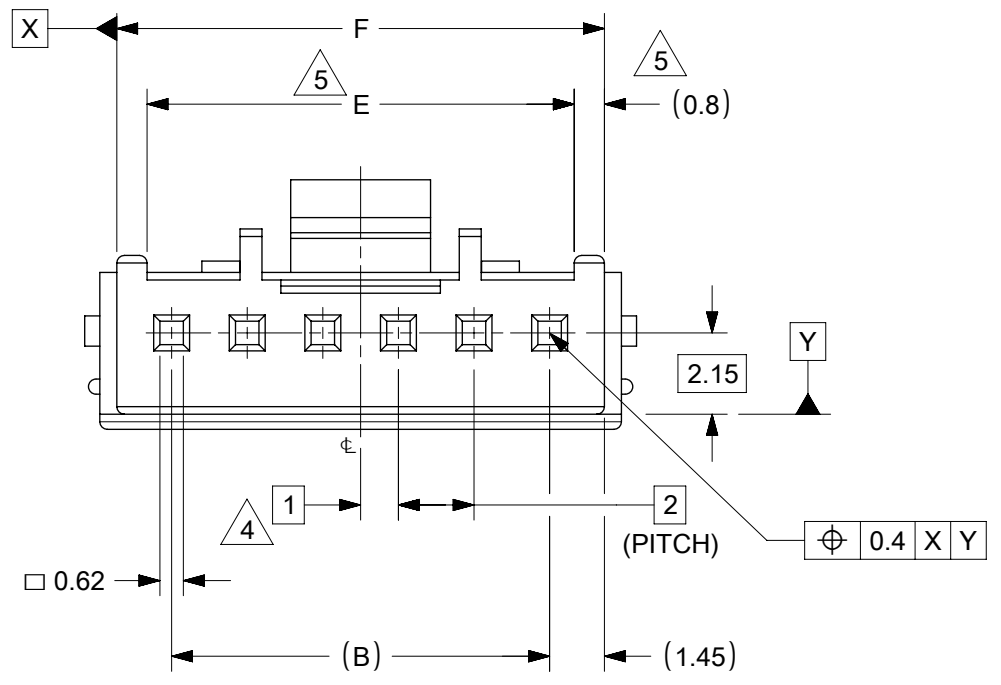
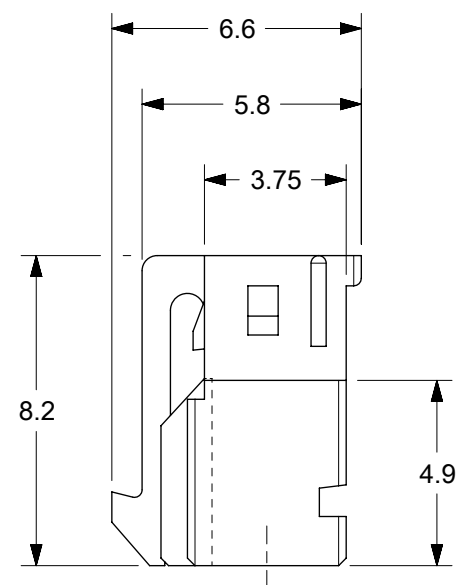
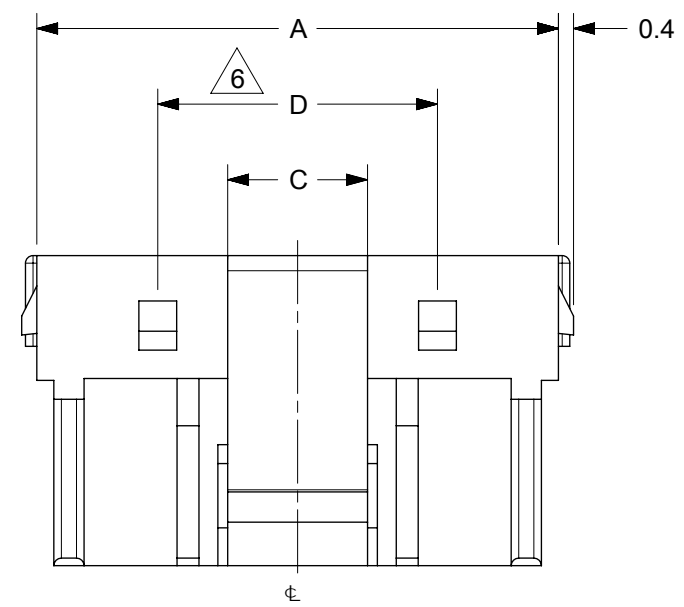
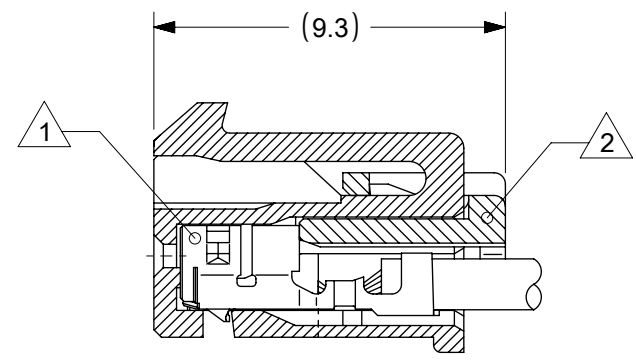
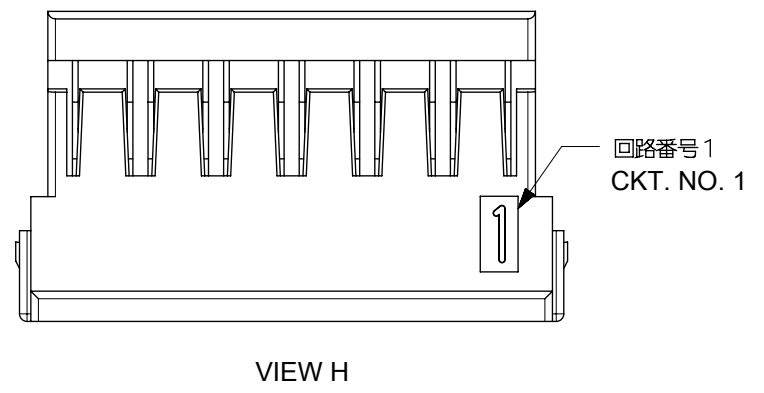
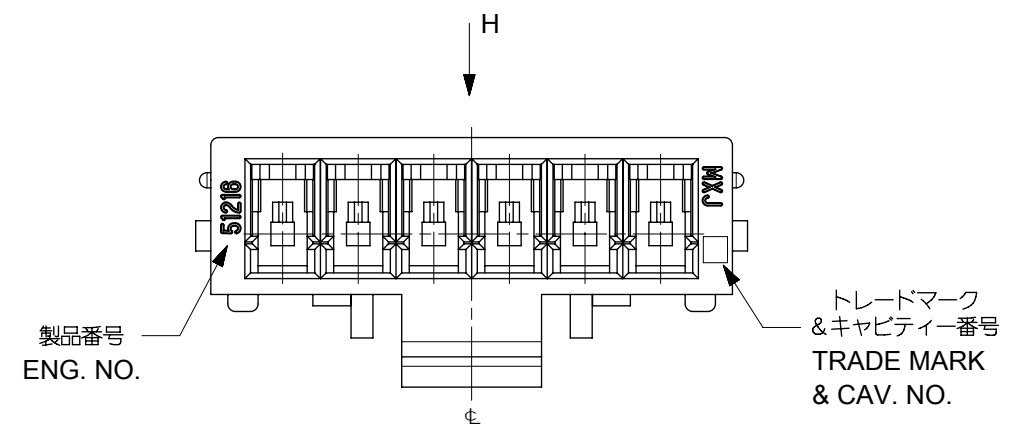


注記  
NOTES

- 1 適合ターミナル : 59370 シリーズ  
APPLICABLE TERMINAL : 59370 SERIES
- 2 適合リテーナー : 51217 シリーズ  
APPLICABLE RETAINER : 51217 SERIES
- 3. 嵌合相手 : 55487、55755シリーズ  
MATE WITH : 55487、55755
- 4 偶数極に適用。  
APPLY EVEN CIRCUIT PRODUCTS.
- 5 4~15 極に適用。  
APPLY 4-15 CIRCUITS.
- 6 5~15 極に適用。  
APPLY 5-15 CIRCUITS.
- 7. ELVおよびRoHS適合品  
ELV AND RoHS COMPLIANT
- 8.ハウジングの色 ( MATERIAL NO. の下1桁に対応 ) :  
HSG COLOR:           WHITE : 51216-\*\*\*0  
                              BLACK : 51216-\*\*\*1  
                              RED : 51216-\*\*\*2  
                              YELLOW : 51216-\*\*\*3  
                              BLUE : 51216-\*\*\*4  
                              GREEN : 51216-\*\*\*6



30.9	29.3	7.4	3.7	28	31.8	51216-150*	15
28.9	27.3	7.4	3.7	26	29.8	51216-140*	14
26.9	25.3	7.4	3.7	24	27.8	51216-130*	13
24.9	23.3	7.4	3.7	22	25.8	51216-120*	12
22.9	21.3	7.4	3.7	20	23.8	51216-110*	11
20.9	19.3	7.4	3.7	18	21.8	51216-100*	10
18.9	17.3	7.4	3.7	16	19.8	51216-090*	9
16.9	15.3	7.4	3.7	14	17.8	51216-080*	8
14.9	13.3	7.4	3.7	12	15.8	51216-070*	7
12.9	11.3	7.4	3.7	10	13.8	51216-060*	6
10.9	9.3	7.4	3.7	8	11.8	51216-050*	5
8.9	7.3	X	3.7	6	9.8	51216-040*	4
6.9	3.7		4	7.8	51216-030*	3	
4.9	X	2.2	2	5.8	51216-020*	2	
F		E	D	C	B	A	MATERIAL NO.

材料 MATERIAL	PBTP, UL94V-0
仕上げ FINISH	— / —
適用電線範囲 WIRE RANGE	— / —
被覆外径 INS. RANGE	— / —

THIS DRAWING CONTAINS INFORMATION THAT IS PROPRIETARY TO MOLEX ELECTRONIC TECHNOLOGIES, LLC AND SHOULD NOT BE USED WITHOUT WRITTEN PERMISSION

DIMENSION UNITS	SCALE	CURRENT REV DESC: OBSOLETE PART NUMBER AS PER PCN#508517
mm	NTS	
GENERAL TOLERANCES (UNLESS SPECIFIED)		
4 PLACES	±	
3 PLACES	±	
2 PLACES	±	0.2
1 PLACE	±	0.2
0 PLACES	±	0.2
DRAFT WHERE APPLICABLE MUST REMAIN WITHIN DIMENSIONS		
THIRD ANGLE PROJECTION		
DRAWING	SERIES	MATERIAL NUMBER
A3-SIZE	51216	SEE TABLE
CUSTOMER		
GENERAL MARKET		
SHEET NUMBER		
1 OF 2		

EC NO: 667105  
DRWN: SUGEEB  
CHK'D: GGA  
APPR: GGA

2021/05/26  
2021/06/29  
2021/06/29

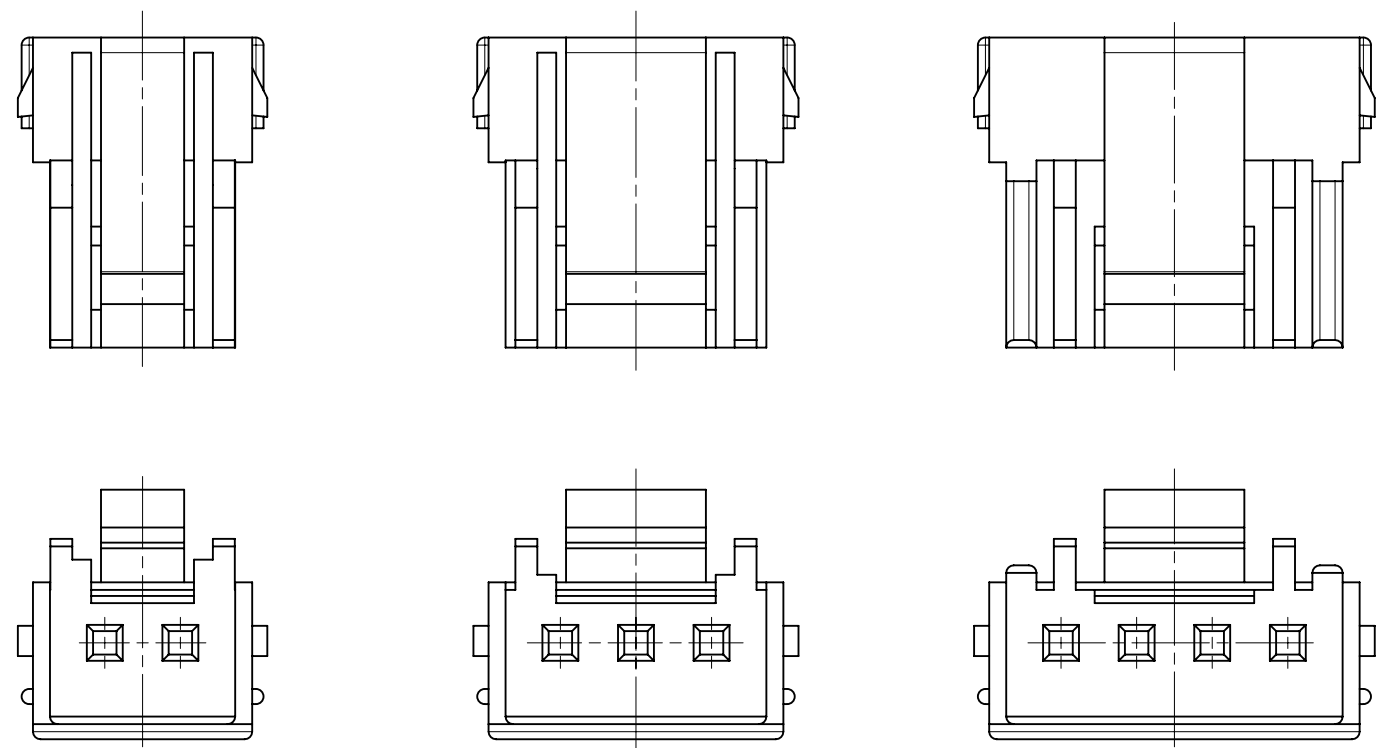
INITIAL REVISION:  
DRWN: T.YASUI  
APPR: M.FUKUSHIMA

2000/02/22  
2000/02/22

DOCUMENT NUMBER: SD-51216-004  
DOC TYPE: PSD  
DOC PART: 001  
REVISION: D2

2.0MM WIRE TO BOARD RECEPTACLE HOUSING

PRODUCT CUSTOMER DRAWING




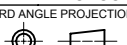
2 CKTS.

3 CKTS.

4 CKTS.

極数レイアウト図  
LAYOUT OF EACH CKTS.

白 WHITE	黒 BLACK	赤 RED	黄 YELLOW	青 BLUE	緑 GREEN
512161500	512161501			512161504	
512161400	512161401			512161404	
512161300	512161301			512161304	
512161200	512161201			512161204	
512161100				512161104	
512161000	512161001			512161004	
512160900	512160901			512160904	
512160800	512160801			512160804	
512160700	512160701			512160704	
512160600	512160601			512160604	
512160500	512160501	512160502		512160504	
512160400	512160401		512160403	512160404	
512160300	512160301			512160304	
512160200	512160201		512160203	512160204	512160206
R MATERIAL NO.	R MATERIAL NO.	R MATERIAL NO.	R MATERIAL NO.	R MATERIAL NO.	R MATERIAL NO.

THIS DRAWING CONTAINS INFORMATION THAT IS PROPRIETARY TO MOLEX ELECTRONIC TECHNOLOGIES, LLC AND SHOULD NOT BE USED WITHOUT WRITTEN PERMISSION					
DIMENSION UNITS <b>mm</b>	SCALE <b>NTS</b>	CURRENT REV DESC: OBSOLETE PART NUMBER AS PER PCN#508517		 2.0MM WIRE TO BOARD RECEPTACLE HOUSING	
GENERAL TOLERANCES (UNLESS SPECIFIED)		EC NO: 667105 DRWN: SUGEEB CHK'D: GGA APPR: GGA			
ANGULAR TOL	± 3.0 °	INITIAL REVISION:		DOCUMENT NUMBER	DOC TYPE
4 PLACES	±	DRWN: T.YASUI		<b>SD-51216-004</b>	PSD 001 D2
3 PLACES	±	APPR: M.FUKUSHIMA			
2 PLACES	± 0.2	SERIES		MATERIAL NUMBER	CUSTOMER
1 PLACE	± 0.2	A3-SIZE		51216	GENERAL MARKET
0 PLACES	± 0.2	SHEET NUMBER		SEE TABLE	2 OF 2
DRAFT WHERE APPLICABLE MUST REMAIN WITHIN DIMENSIONS		THIRD ANGLE PROJECTION	DRAWING	SHEET NUMBER	
				2 OF 2	