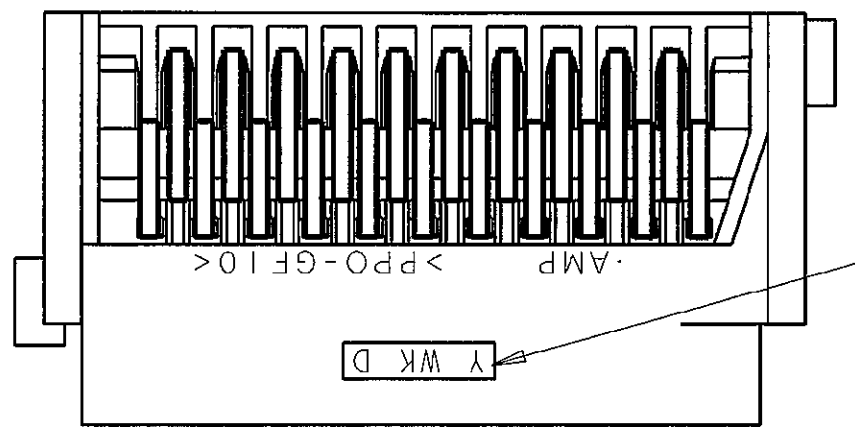
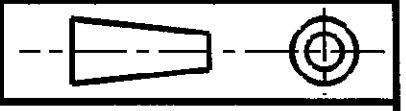
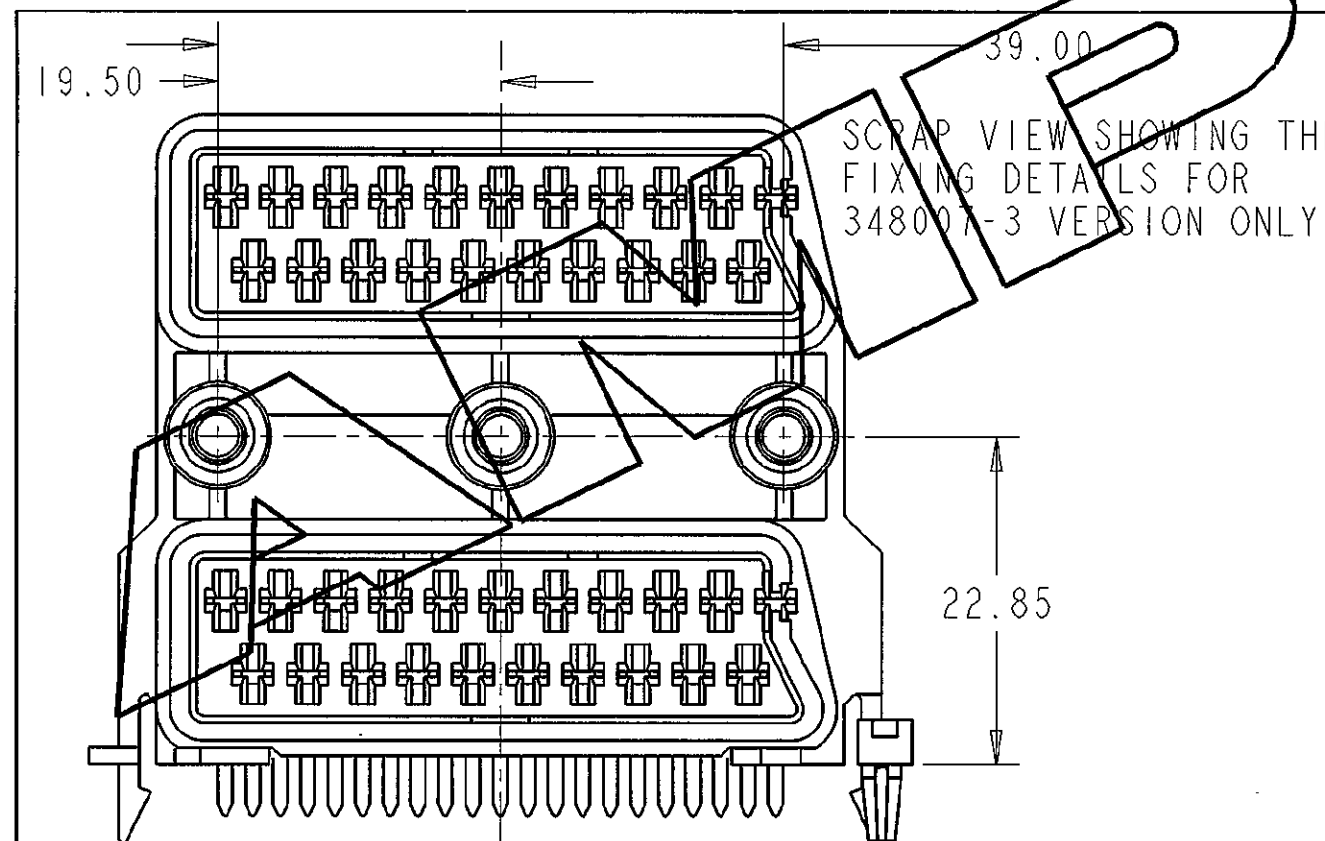
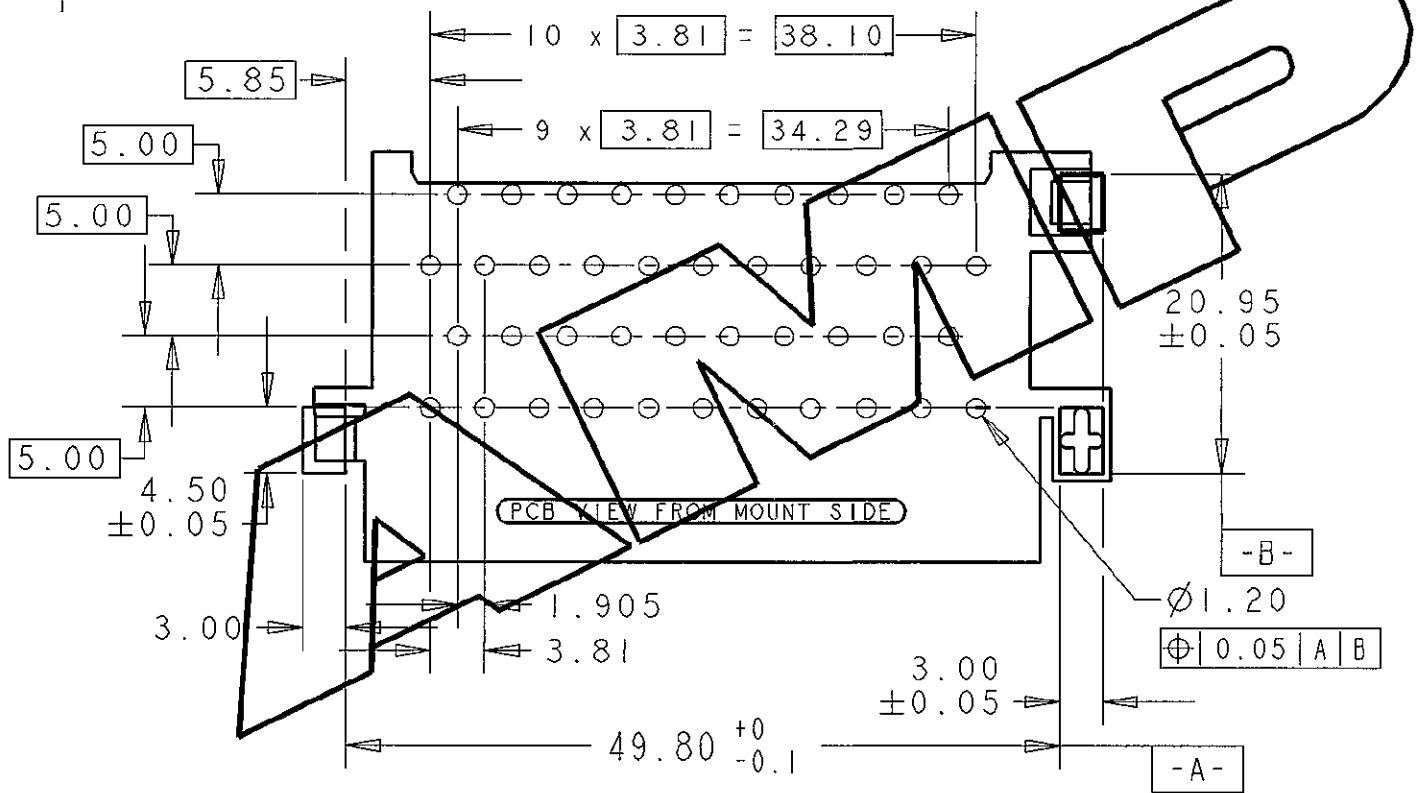
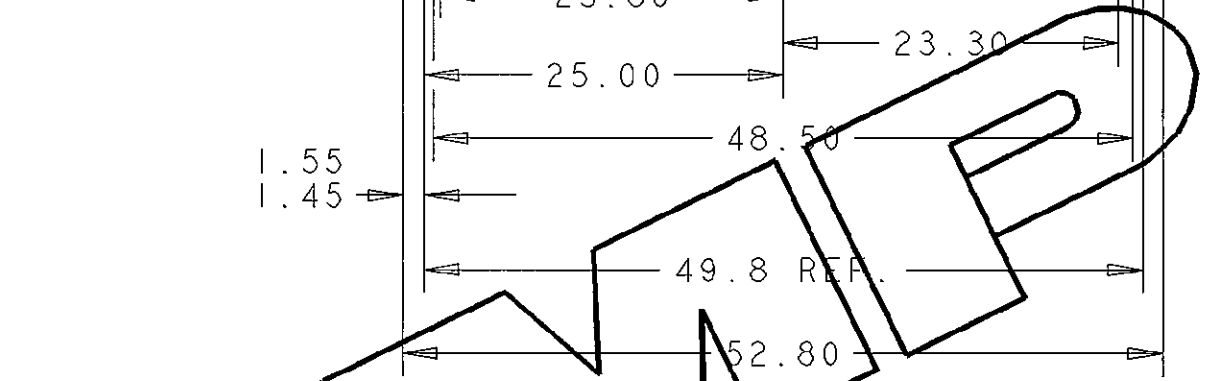
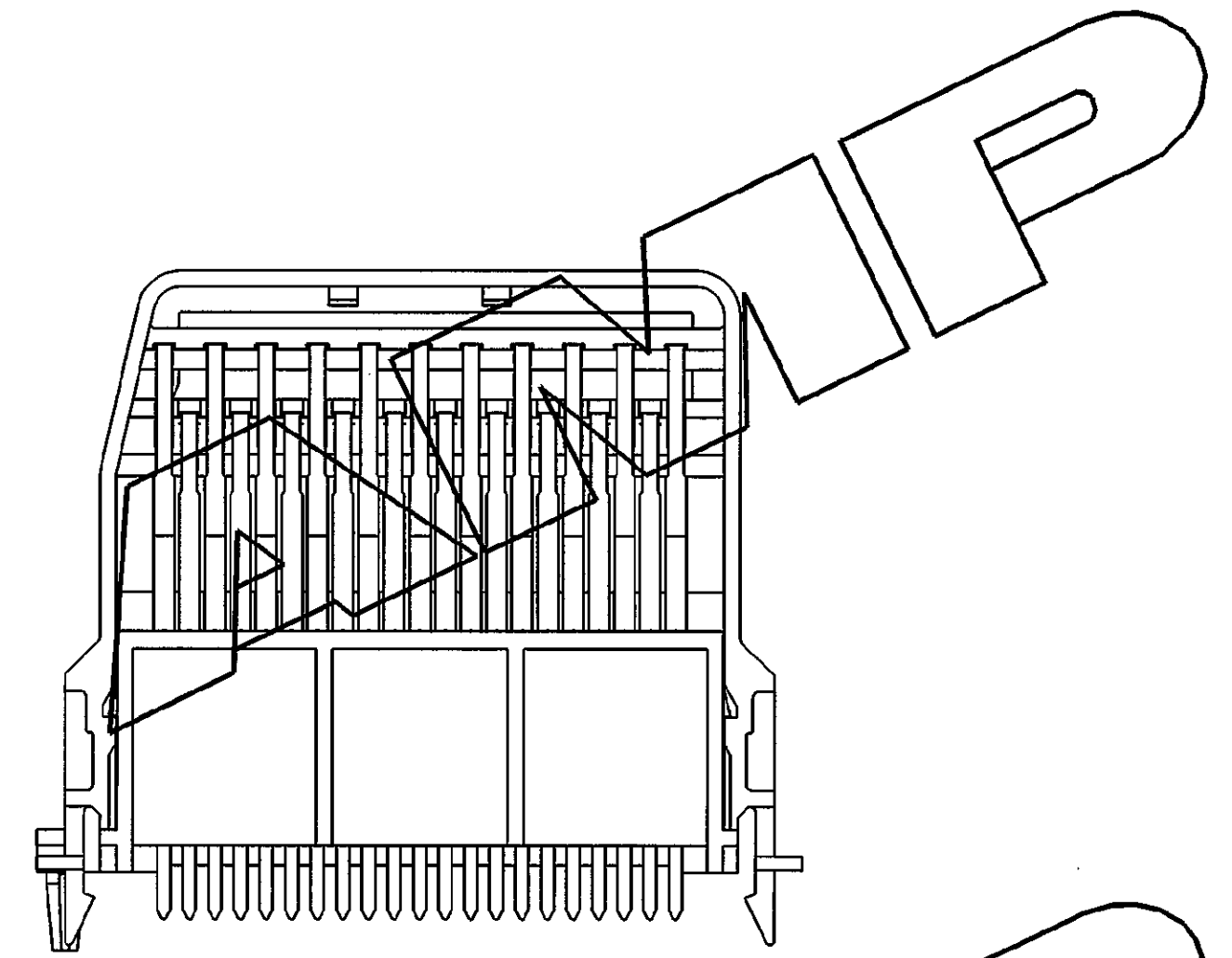
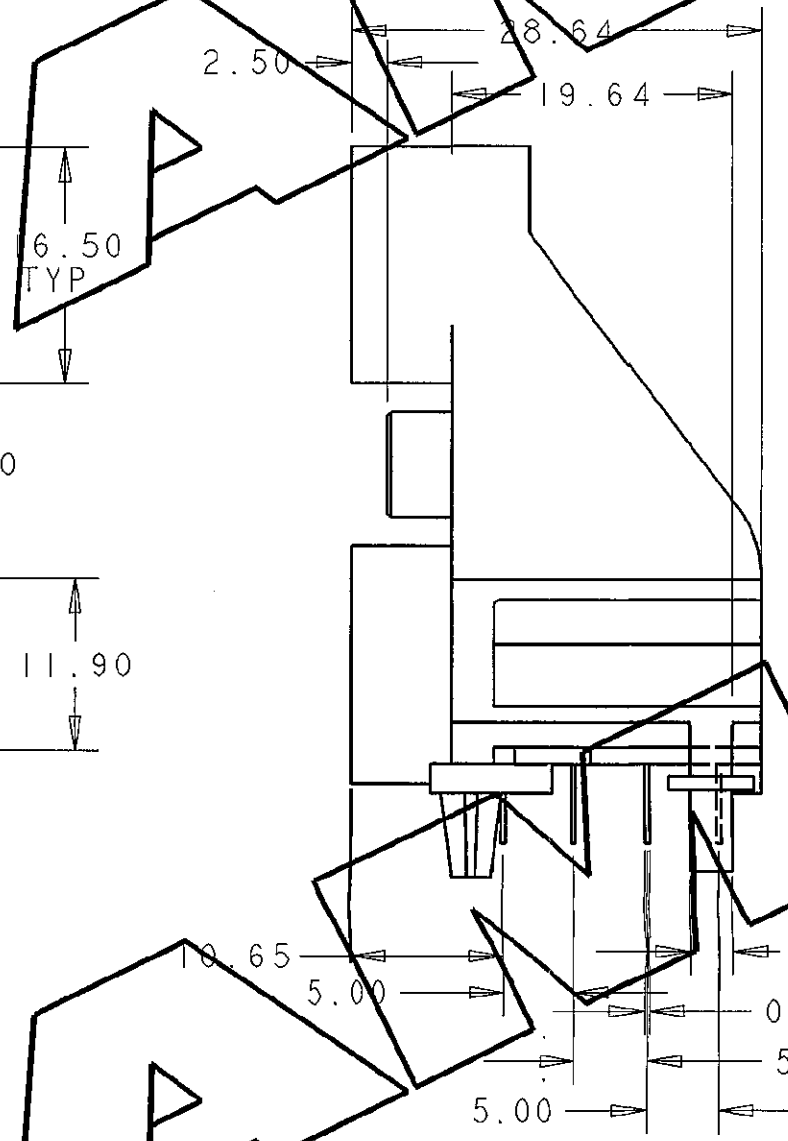
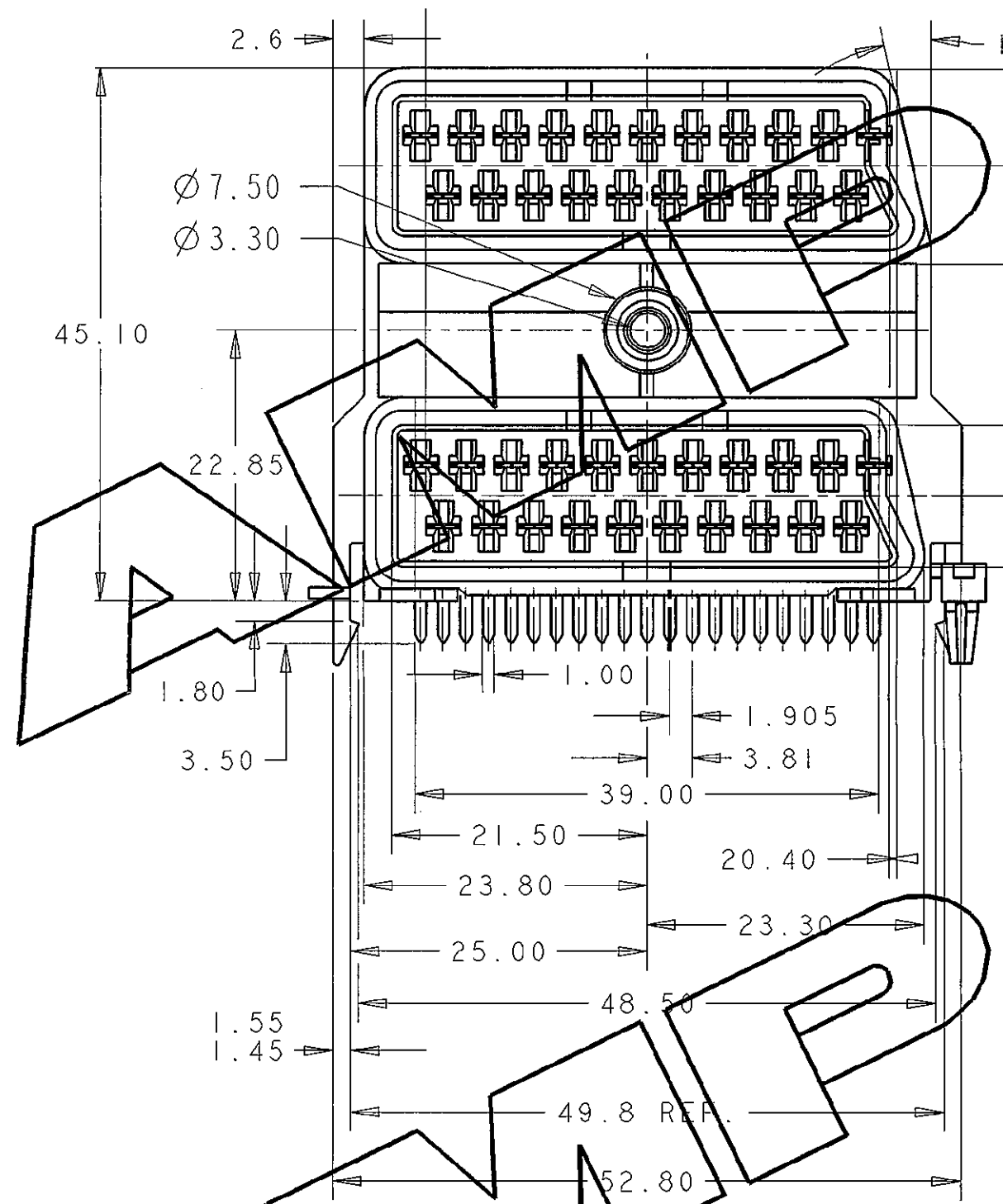


DO NOT SCALE DIMENSIONS IN MM.



DUAL SCART CONNECTOR TO BE MARKED WITH YEAR WEEK DAY OF MANUFACTURE IN LOCATION INDICATED.



SCRAP VIEW SHOWING THREE FIXING DETAILS FOR 348007-3 VERSION ONLY.

DUAL SCART CONNECTOR THREE FIXING VERSION		348007-3	
DUAL SCART CONNECTOR SINGLE FIXING VERSION		348007-2	
DUAL SCART CONNECTOR SINGLE FIXING VERSION		348007-1	
DESCRIPTION		PART NUMBER	
CUSTOMER DWG FOR REFERENCE ONLY		RELEASED FOR PUBLICATION	
COPYRIGHT 1994 BY AMP OF GREAT BRITAIN LTD. ALL INTERNATIONAL RIGHTS RESERVED. ALL PRODUCTS MAY BE COVERED BY BRITISH AND FOREIGN PATENTS AND/OR PATENTS PENDING.		DR. J. BROOK 17 OCT 1997	
TOLERANCES UNLESS OTHERWISE STATED : DEC ± 0.5 ANGLES ± 1°		CH. J. AMBROSE APP. C. KAMINSKI	
O1 AEG ECO-10-000445 09JAN10		AMP of Great Britain Ltd. TERMINAL HOUSE STANNORE MIDDX.	
D P. BATES EB00-0165-99 ECOC TRANSFER 19/3/99		NAME DUAL SCART ASSY SINGLE FIXING VERSION	
0 Jim Brook EB00-0179-98 16/4/98		SCALE LOC SIZE DWG. No.	
3 J. BROOK EB00-0540-97 17/10/97		2 / 1 E A 2 C348007	
REV APPROVED CHANGE No. DATE		REV SHEET	
		01 1 / 1	