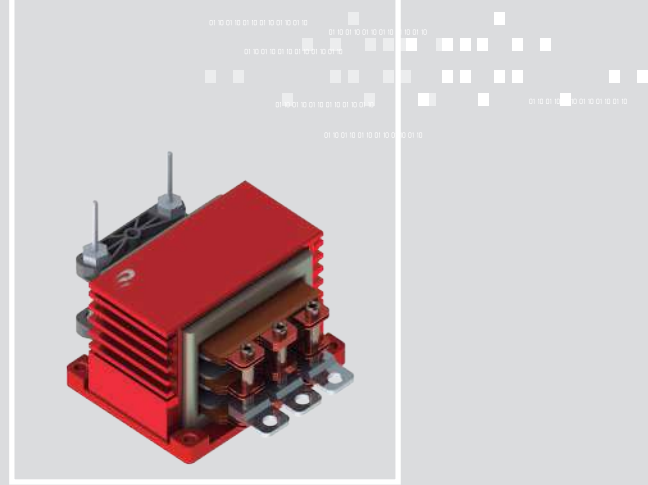


New

DCDC2400-001

Push-Pull Transformer 2kW 100kHz 1+1:12

INDUCTIVE COMPONENTS / DCDC TRANSFORMERS



APPLICATIONS

- › Automotive HV/LV DCDC onboard converters

01 FEATURES

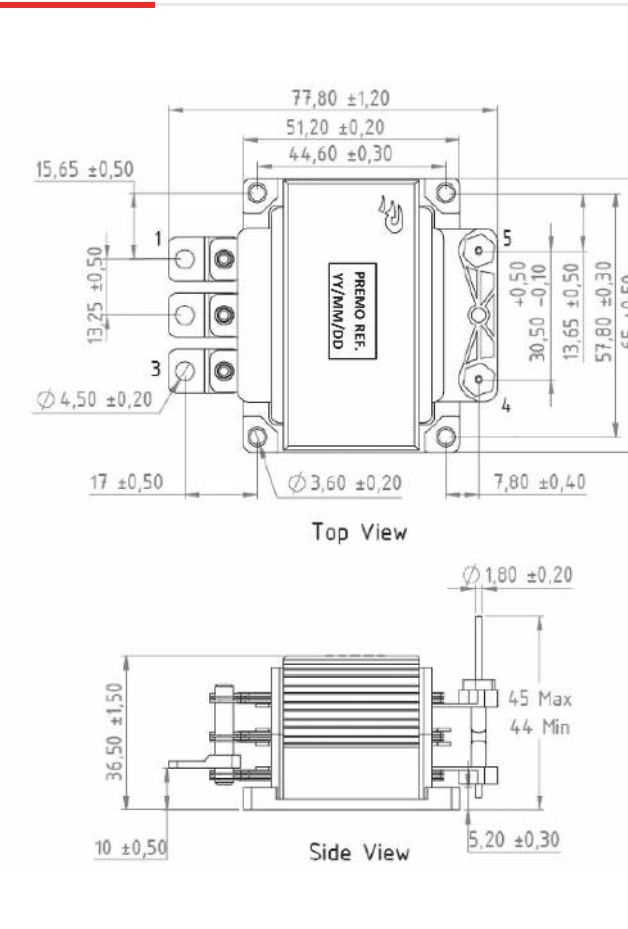
- › Push-Pull 2kW transformer
- › Switching frequency 100kHz
- › UL94 and RoHS materials (F/155°C)
- › Design based on AEC-Q200
- › Weight : approx 350grams

02 OPERATION

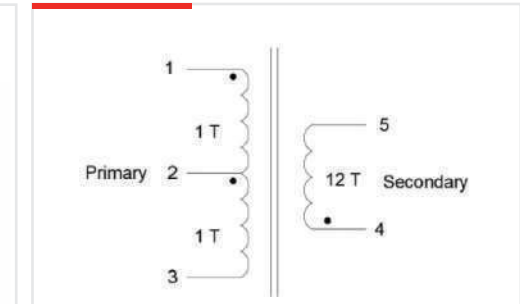
- › $V_{in} = 16-32V_{dc}$ / $V_{out} = 400V_{dc}$
- › Operating temperature $-40/+125^{\circ}C$ with cooling

03 SPECIFICATIONS

DIMENSIONS



ELECTRICAL DIAGRAM



ELECTRICAL SPECIFICATIONS

INDUCTANCE at 25°C

L1-3 = L_p
(100kHz/1Vac) $18,5\mu H \pm 20\%$

DC RESISTANCE at 25°C

R1-3 $0,30m\Omega$ MAX

R4-5 $25m\Omega$ MAX

TURN-RATIO

$N_p:N_s$ $1+1:12$

LEAKAGE INDUCTANCE

Llk4-5
(100kHz/1Vac, 1-3 shorted) $1,80\mu H$ MAX

DIELECTRIC STRENGTH

{ N_p }/{CORE} $500V_{ac}/50Hz/5mA/1min^*$

{ N_p }/{ N_s +CORE} $3kV_{ac}/50Hz/5mA/1min^*$

(*) 1min in qualification / 2sec in mass production