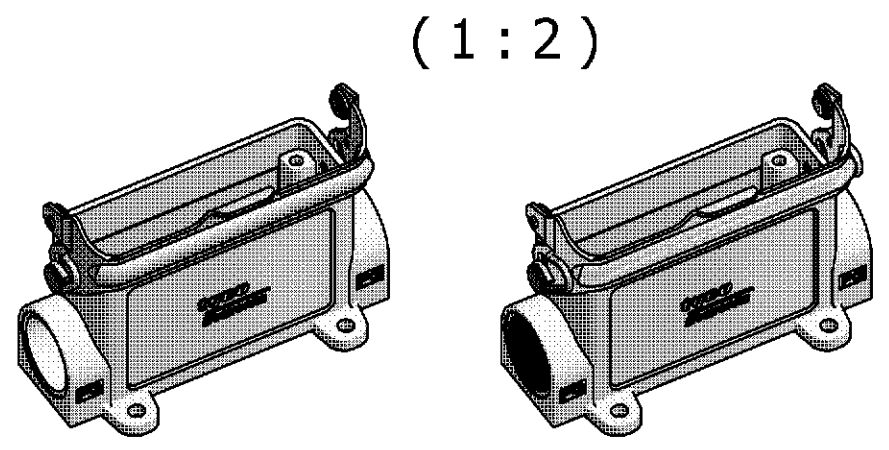
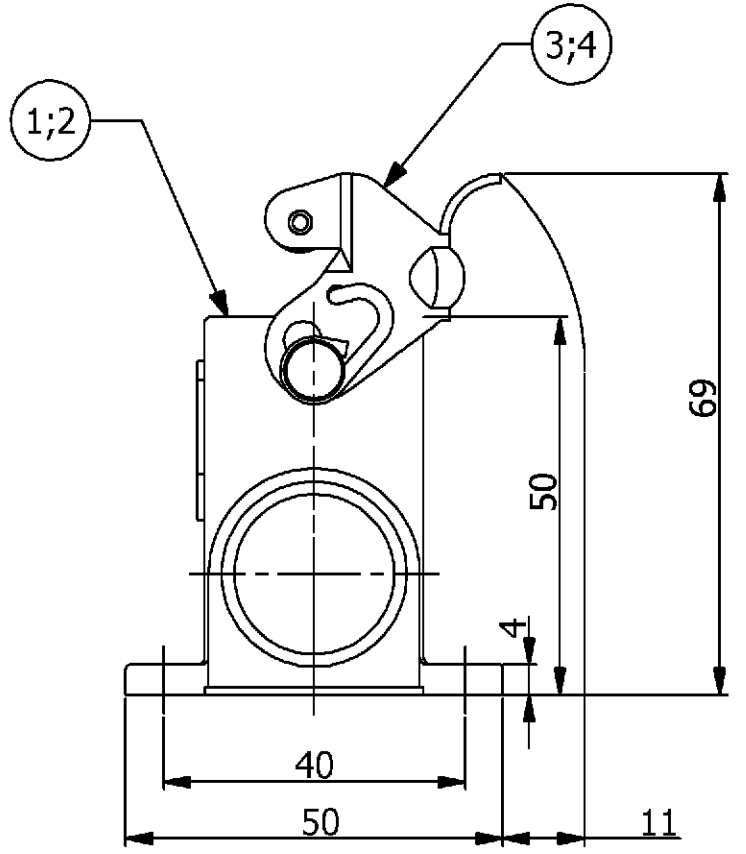
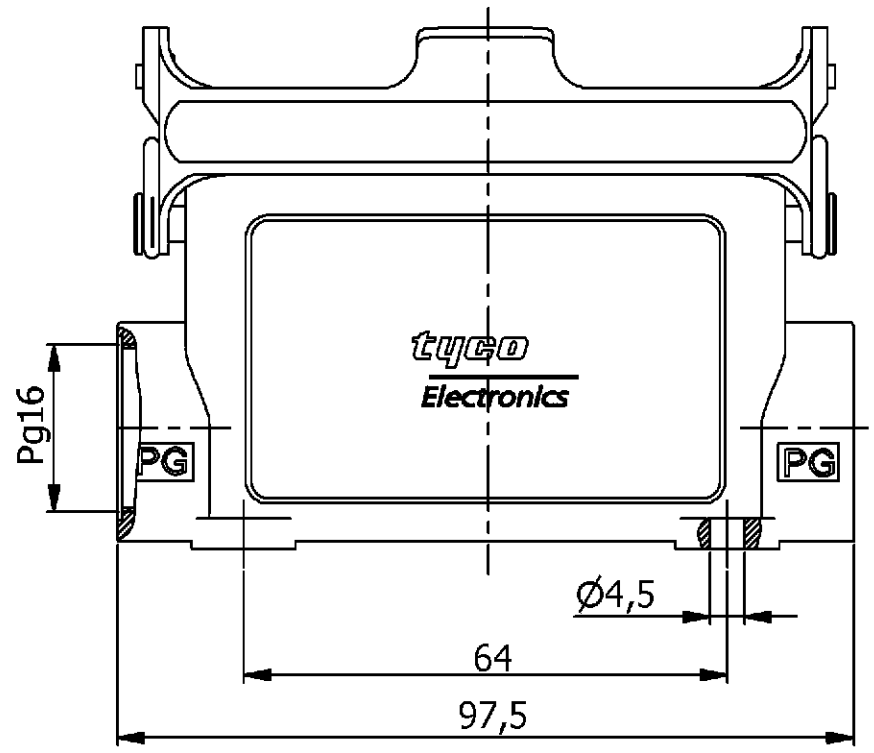


### NOTES

- 1 PACKAGING QUANTITY: 5 PIECES PER BOX
- △2 MATERIAL: HOUSING: ALUMINIUM DIECASTING ALLOY
- △3 FINISH: VARNISH GREY  
POWDER COATED
- 4 VARNISH ON THE INSIDE NOT NECESSARY



<b>OBSOLETE</b>	△2	△3	△3					
1	-	Side Clip	V2A	Blank	-	4	-	
1	1	Side Clip	Steel	Zinc Plated	Blue	3	-	
1	-	Surface Mounted Housing HA.16.1.Pg16	Aluminium	-	No varnish	2	-	
1	1	Surface Mounted Housing HA.16.1.Pg16	Aluminium	-	Grey	1	-	
<b>0-1</b>	<b>2-3</b>	<b>1-2</b>	<b>DESCRIPTION</b>	<b>MATERIAL</b>	<b>SURFACE</b>	<b>COLOR</b>	<b>ITEM NO.</b>	<b>REMARKS</b>
ORDERING TEXT								
HA.16.SG-LB.1.16.Z								
HA.16.SG-LB.1.16.Z								
HA.16.SG-LB.2.16.Z								

DWN P.BENNUR 2/24/2006		<b>SURFACE MOUNTED HOUSING</b> HA.16.SG-LB.16	RESTRICTED TO NUR FUER
CHK R.SRINIVAS 2/24/2006			
APVD T.SCHNURPFEIL 2/24/2006			
PRODUCT SPEC. 108-74009			
APPLICATION SPEC. 114-74004	NAME	DRAWING NO. ZEICHNUNGS-NR.	REVISIONS
MATERIAL	FINISH / OBERFLAECHE / FARBE	WEIGHT GEWICHT	SCALE MASSSTAB
DIMENSIONS: DIMENSIONEN: mm	TOLERANCES UNLESS OTHERWISE SPECIFIED: ALLGEMEINTOLERANZEN	SIZE A3	CAGE CODE 00779
0 PLC #	n. ISO 8015 - mH-E	DRAWING NO. 1102143	SHEET BLATT
1 PLC #	n. ISO 2768 - 140	CUSTOMER DRAWING / KUNDENZEICHNUNG	1
2 PLC #	n. DIN 16901-	SCALE 1:1	OF VON
3 PLC #	ANGLES / WINKEL #	1	1
MATERIAL	FINISH / OBERFLAECHE / FARBE	1	REV. B2

H:\HITS\EGGMA05416\HA\_16\_1\ASSEMBL\1102143\C\_1102143\_LB.Lbr