

6

5

4

3

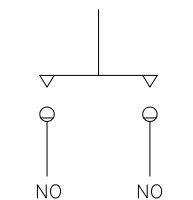
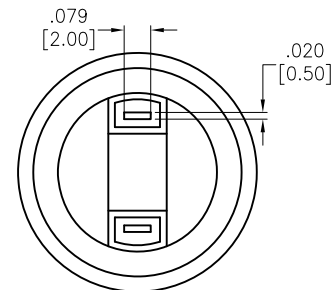
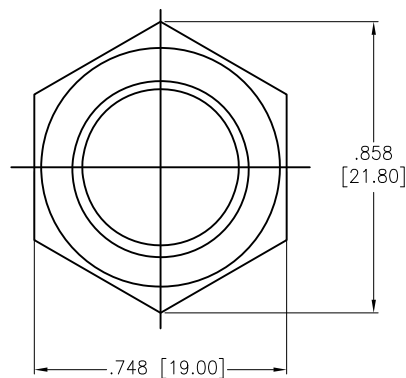
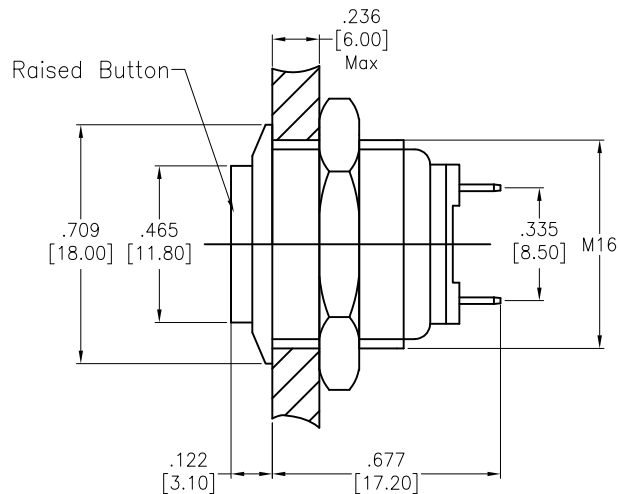
2

1

APPROVED: _____

DATE: _____ TITLE: _____

Rev	AWO #	Description	Date	Appr
-		RELEASED	11/2/21	



CIRCUIT DIAGRAM (SPST) OFF-MOM

SPECIFICATIONS:

Material:
 Bushing&Button: Stainless steel, Varnish polished
 Base: PBT
 Contact Material: Silver Alloy, (2.0x0.5mm)
 Electrical:
 Switch Rating: 2A @ 36V AC
 Contact resistance: 50 mΩ max initial.
 Insulation resistance: 1000M ohms min.@ 500VDC.
 Dielectric withstanding voltage: 2,000V RMS 50~60Hz.
 Electrical Life: 200,000cycles.
 Mechanical:
 Operating Force: 4N
 Nut Torque: 0.6Nm max.
 Temperature Rating:
 Operating temperature: -25°C to +55°C
 Environmental:
 IP Rating: IP65 (Front Panel)
 Lead free, RoHS compliant



UNLESS OTHERWISE SPECIFIED ALL DIMENSIONS ARE INCHES [MM]. TOLERANCES: EXCEPT AS NOTED		
INCHES	HOLES	
.X ± .10	ØX	± .10
.XX ± .020	ØXX	± .015
.XXX ± .015	ØXXX	± .010



909 Rahway Avenue,
 Union, NJ 07083
 Phone: 908-687-5000
 Fax: 908-687-5710

DRAWN	WX	11/2/21
CHECKED	RC	11/2/21
APPROVED		

TITLE SWITCH, ANTI-VANDAL, PUSH BUTTON, SPST, OFF-MOM, 16mm, MOMENTARY, RAISED BUTTON

THIS DRAWING CONTAINS INFORMATION THAT IS PROPRIETARY AND SHOULD NOT BE USED WITHOUT PRIOR WRITTEN PERMISSION FROM ADAM TECH

SIZE X	PART NO. SW-PB7-01B32BRM	REV. -
REF: S00198T	SCALE: NTS	SHEET 1 OF 1

6

5

4

3

2

1