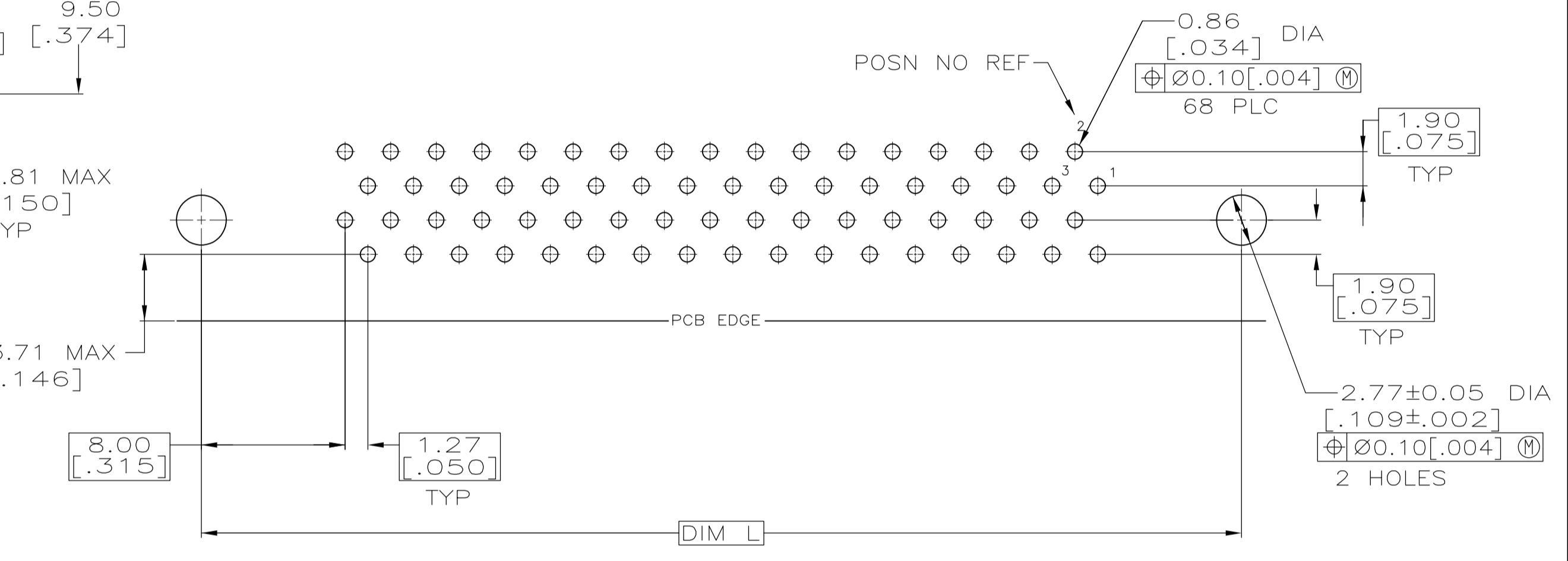
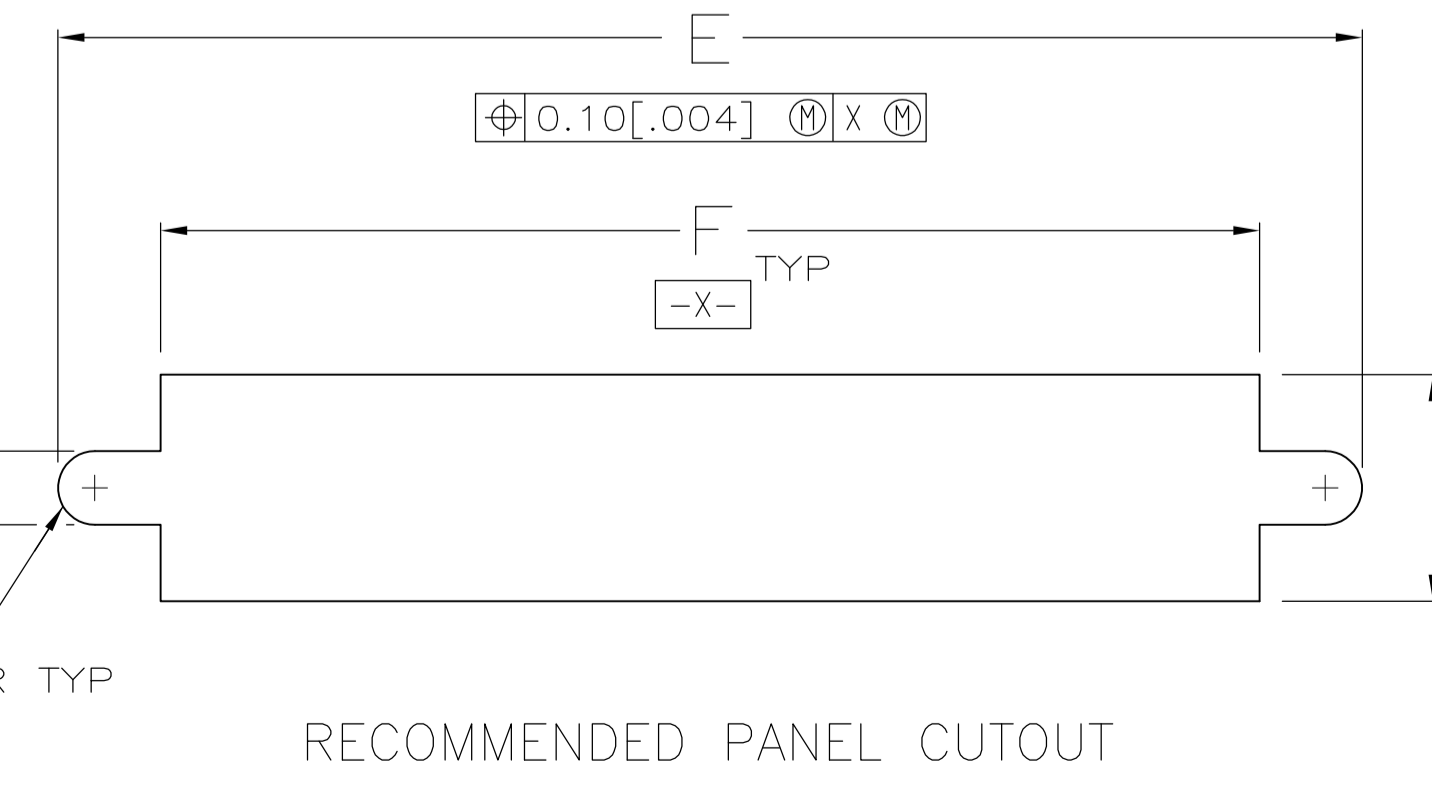
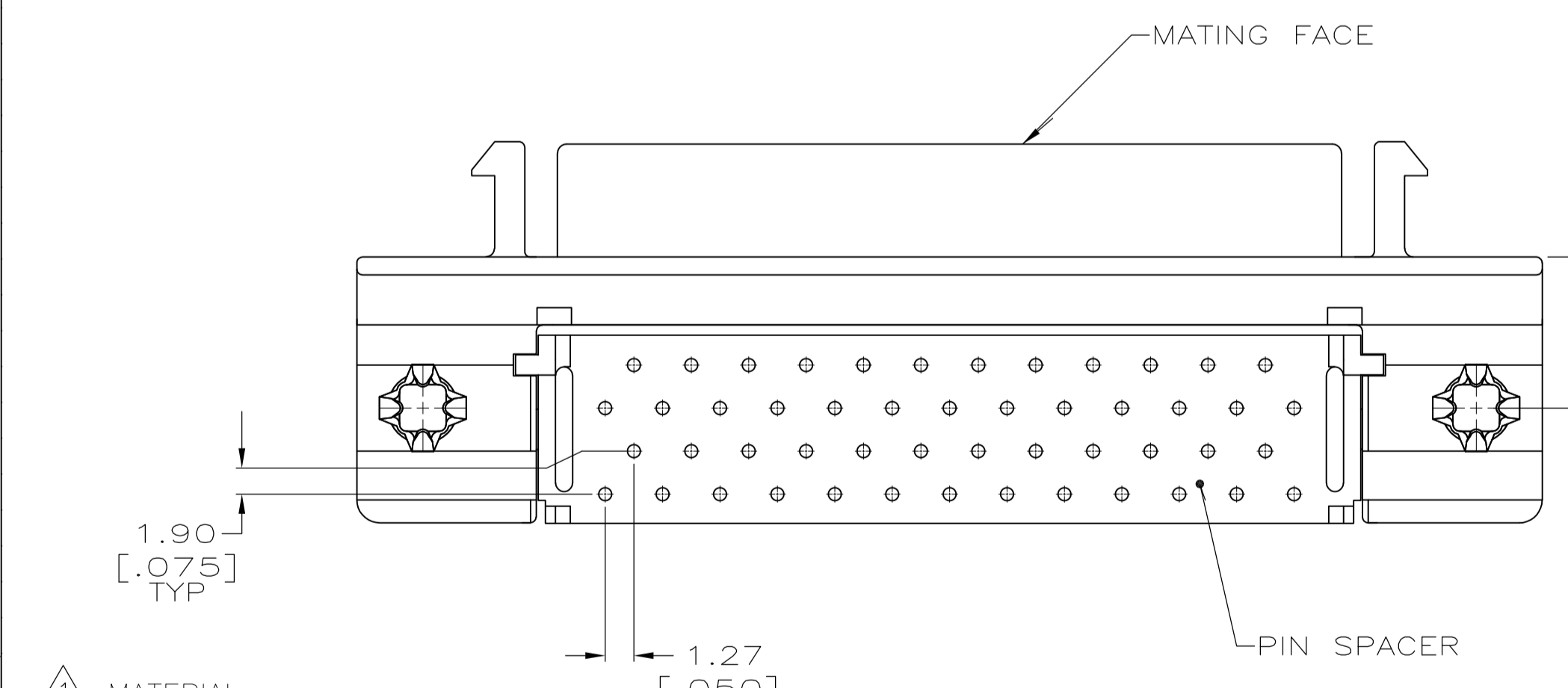


P.C. BOARD MOUNTING DIMENSIONS  
CONNECTOR SIDE  
P.C. BOARD THICKNESS 1.57±0.20 [.062±.008]  
PC BOARD PATTERN S



P.C. BOARD MOUNTING DIMENSIONS  
CONNECTOR SIDE  
P.C. BOARD THICKNESS 1.57±0.20 [.062±.008]  
PC BOARD PATTERN T



**MATERIAL**  
CONTACTS: PHOSPHOR BRONZE  
HOUSING & PIN SPACER: UL 94V-0 RATED, THERMOPLASTIC, BLACK  
BRACKET: ZINC  
SHELL: CARBON STEEL  
BOARDLOCKS: COPPER ALLOY.

**FINISH**  
CONTACTS: EITHER 0.76µm [.000030] MIN GOLD PLATE FOR A LENGTH OF 0.64 [.025] MAX, 0.13 [.005] MIN FROM MATING END OR GOLD FLASH OVER PALLADIUM NICKEL PLATE, 0.76µm [.000030] MIN TOTAL FOR A LENGTH OF 0.64 [.025] MAX, 0.13 [.005] MIN FROM MATING END. 3.81µm [.000150] MIN TIN-LEAD FOR A LENGTH OF 2.72 [.107] MIN FROM OPPOSITE END, ALL OVER 1.27µm [.000050] MIN NICKEL UNDERPLATE.  
SHELL: 5.08µm [.000200] MIN NICKEL OVER 1.27µm [.000050] MIN COPPER.  
BRACKET 2.54µm [.000100] MIN NICKEL OVER 5.08µm [.000200] COPPER.

- ③ 5.08µm [.000200] MIN TIN-LEAD OVER 1.27µm [.000050] MIN NICKEL.
- ④ 3.00µm [.000118] MIN TIN OVER 1.27µm [.000050] MIN NICKEL.
- ⑤ OBSOLETE PARTS: OBSOLETE CIS STREAMLINING PER D.RENAUD/D.SINISI

⑤ SUPERSEDED BY 5787082-5  
OBSOLETE

PACKAGING	BOARDLOCK FINISH	PC BOARD PATTERN	L	G	F	E	D	B	A	NO OF POSN	PART NUMBER
TUBE	④	T	78.23 [3.080]	0.64 [.025]	74.55 [2.935]	80.67 [3.176]	84.20 [3.315]	66.45 [2.616]	78.23 [3.080]	100	1-787082-8
TUBE	④	T	57.91 [2.280]	0.64 [.025]	54.23 [2.135]	60.35 [2.376]	63.88 [2.515]	46.13 [1.816]	57.91 [2.280]	68	1-787082-7
TUBE	④	S	46.48 [1.830]	1.27 [.050]	42.80 [1.685]	48.92 [1.926]	52.45 [2.065]	34.70 [1.366]	46.48 [1.830]	50	1-787082-6
TRAY	③	S	46.48 [1.830]	1.27 [.050]	42.80 [1.685]	48.92 [1.926]	52.45 [2.065]	34.70 [1.366]	46.48 [1.830]	50	1-787082-5
TUBE	③	T	78.23 [3.080]	0.64 [.025]	74.55 [2.935]	80.67 [3.176]	84.20 [3.315]	66.45 [2.616]	78.23 [3.080]	100	787082-9
TUBE	③	T	57.91 [2.280]	0.64 [.025]	54.23 [2.135]	60.35 [2.376]	63.88 [2.515]	46.13 [1.816]	57.91 [2.280]	68	787082-7
TUBE	③	S	46.48 [1.830]	1.27 [.050]	42.80 [1.685]	48.92 [1.926]	52.45 [2.065]	34.70 [1.366]	46.48 [1.830]	50	787082-5
TUBE	③	T	32.51 [1.280]	0.64 [.025]	28.83 [1.135]	34.95 [1.376]	38.48 [1.515]	20.73 [.816]	32.51 [1.280]	28	787082-3
TUBE	③	S	31.24 [1.230]	1.27 [.050]	27.56 [1.085]	33.68 [1.326]	37.21 [1.465]	19.46 [.766]	31.24 [1.230]	26	787082-2

THIS DRAWING IS A CONTROLLED DOCUMENT. DIN D. BROCKWAY 12-14-93  
CIRK R. STONE 1-5-94

DIMENSIONS: INCHES	TOLERANCES UNLESS OTHERWISE SPECIFIED:	PRODUCT SPEC	108-1228
0 PLC ± -	1 PLC ± -	APPLICATION SPEC	114-40029
2 PLC ± 0.13 [.005]	3 PLC ± -	WEIGHT	-
4 PLC ± -	ANGLES ± -	CUSTOMER DRAWING	SCALE 4:1 SHEET 1 OF 1 REV Y2

**STE** TE Connectivity  
RECEPTACLE ASSEMBLY, SHIELDED, RIGHT ANGLE, .050 SERIES, AMPLIMITE