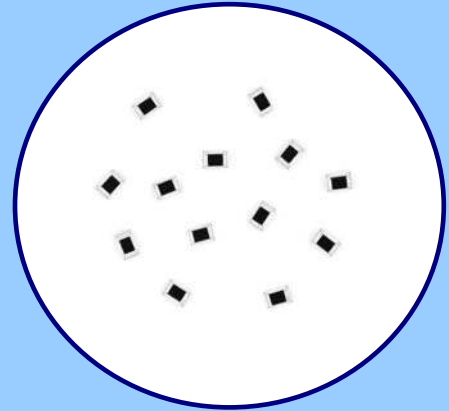


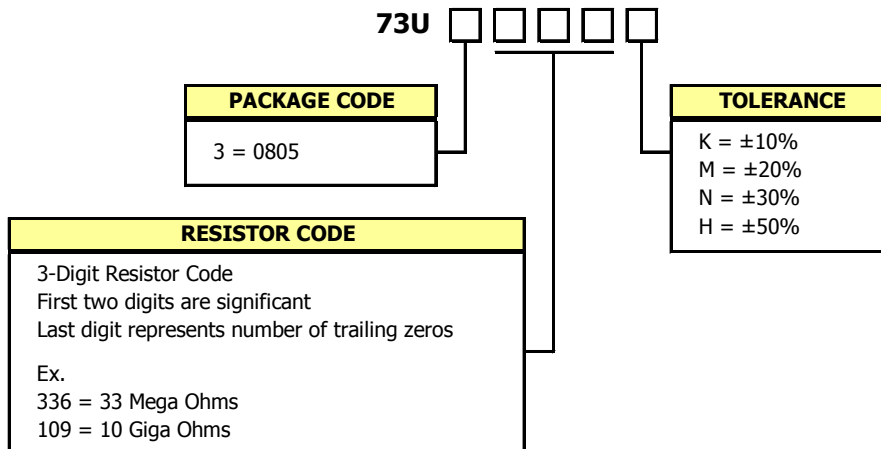


FEATURES

- **Ultra High Resistance [$\leq 100G\Omega$]**
- **Suitable for Use in High Input Impedance Quartz Amplifiers, Low Temperature Sensing Applications and Testing Devices**
- Good Electrical Characteristics
- Surface Mount Package
- Nickel Barrier Solder-Coated Pads [e3]
- Reflow capable per JEDEC J-STD-020, 260°C maximum
- Tape and Reel Packaging
- **RoHS Compliant in Accordance with EU Directive 2005/95/EC**
 - Lead-Free Termination Finish
 - Exemption 5 for Pb in glass material and resistor elements



ORDERING INFORMATION



Notes:

1. No dashes or spaces to appear in part number.
2. Example Part Numbers:
 73U3109H [0805 pkg., 10 Giga Ohms, ±50%]
 73U3477K [0805 pkg., 470 Mega Ohms, ±10%]

**Not all performance combinations and resistor values may be available.
 Contact your local CTS Representative or CTS Customer Service for availability.**

STANDARD RESISTOR VALUES [Based on EIA E6 Sequence]

Resistor Value	Resistor Code	Resistor Value	Resistor Code	Resistor Value	Resistor Code	Resistor Value	Resistor Code
33 MΩ	336	330 MΩ	337	3.3 GΩ	338	33 GΩ	339
47 MΩ	476	470 MΩ	477	4.7 GΩ	478	47 GΩ	479
68 MΩ	686	680 MΩ	687	6.8 GΩ	688	68 GΩ	689
100 MΩ	107	1.0 GΩ	108	10 GΩ	109	100 GΩ	10A
150 MΩ	157	1.5 GΩ	158	15 GΩ	159		
220 MΩ	227	2.2 GΩ	228	22 GΩ	229		

ELECTRICAL CHARACTERISTICS

Type	Package Code [Inch (mm)]	Tolerance (%)	Resistance E-6 (Ω)	T.C.R +25°C - +125°C (ppm/°C)	V.C.R 5V-15V (%/V)	Maximum Working Voltage (V)	Maximum Overload Voltage (V)
73U3	0805 (2012)	K: ± 10	33M - 68M	0 to -500	0 to -0.1	15	150
		M: ± 20	100M - 680M	0 to -1000	0 to -0.5		
		N: ± 30 H: ± 50	1G - 100G	0 to -3500	0 to -2.5		

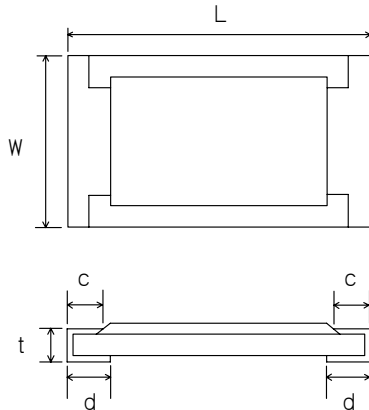
MECHANICAL SPECIFICATION

PACKAGE DRAWING

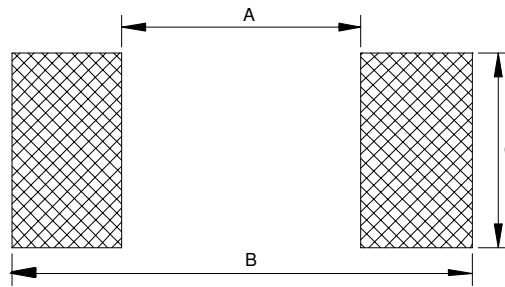
Dimensions (mm)	L	W	c	d	t
73U3	2.00 +0.20 -0.10	1.25 +0.20 -0.10	0.40 ± 0.20	0.40 ± 0.20	0.50 +0.15 -0.05

MARKING

No part marking.



RECOMMENDED LAND PATTERN

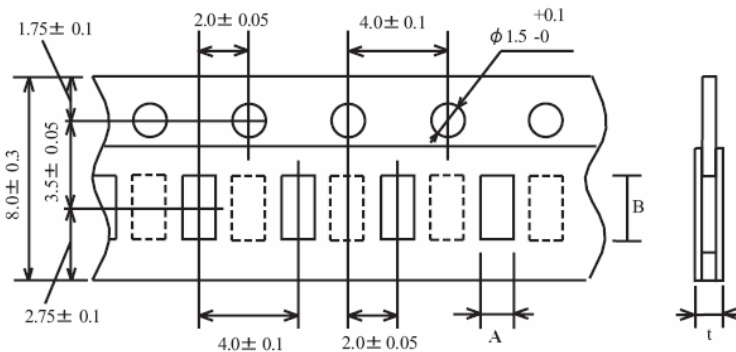


Type	Dimensions (mm)		
	A	B	C
73U3	1.20	3.20	1.25

PACKAGING INFORMATION

PAPER TAPE [mm]

Type	A	B	t
73U3	1.65 ± 0.20	2.40 ± 0.20	0.80 ± 0.20



REEL

Type	Package Code [Inch (mm)]	Quantity Per Reel	A (mm)
73U3	0805 (2012)	5,000	11.4 ± 1.1

