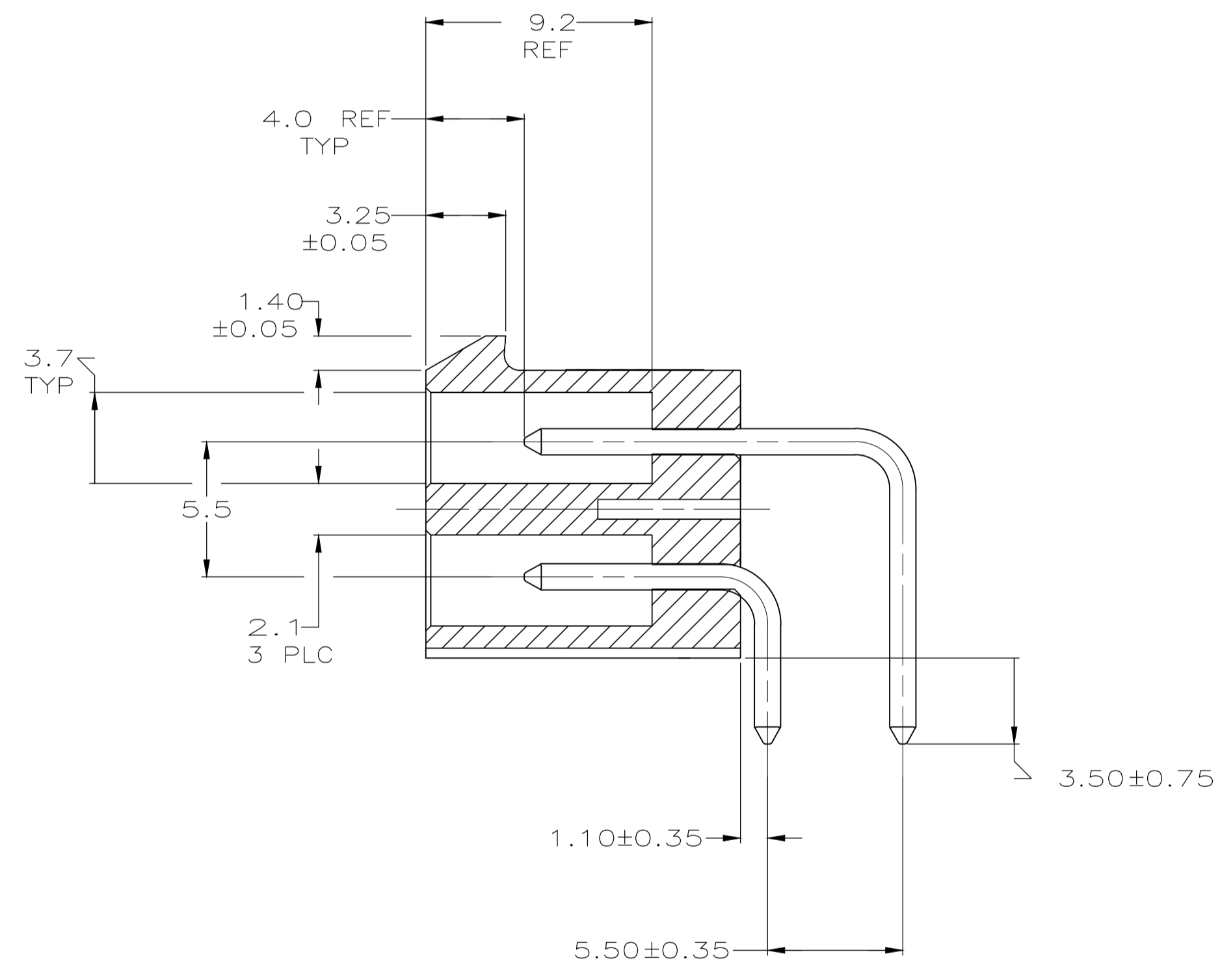
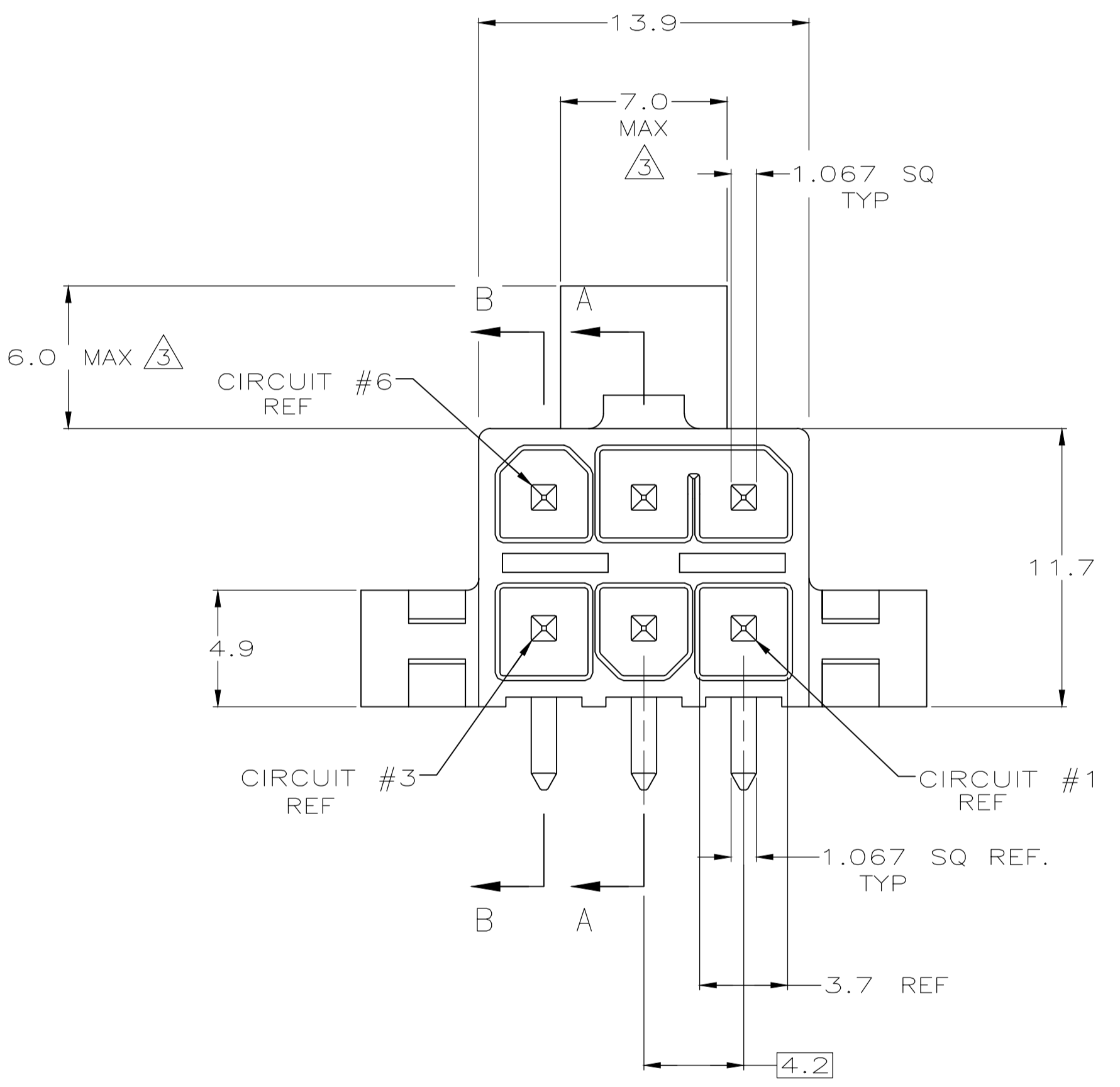
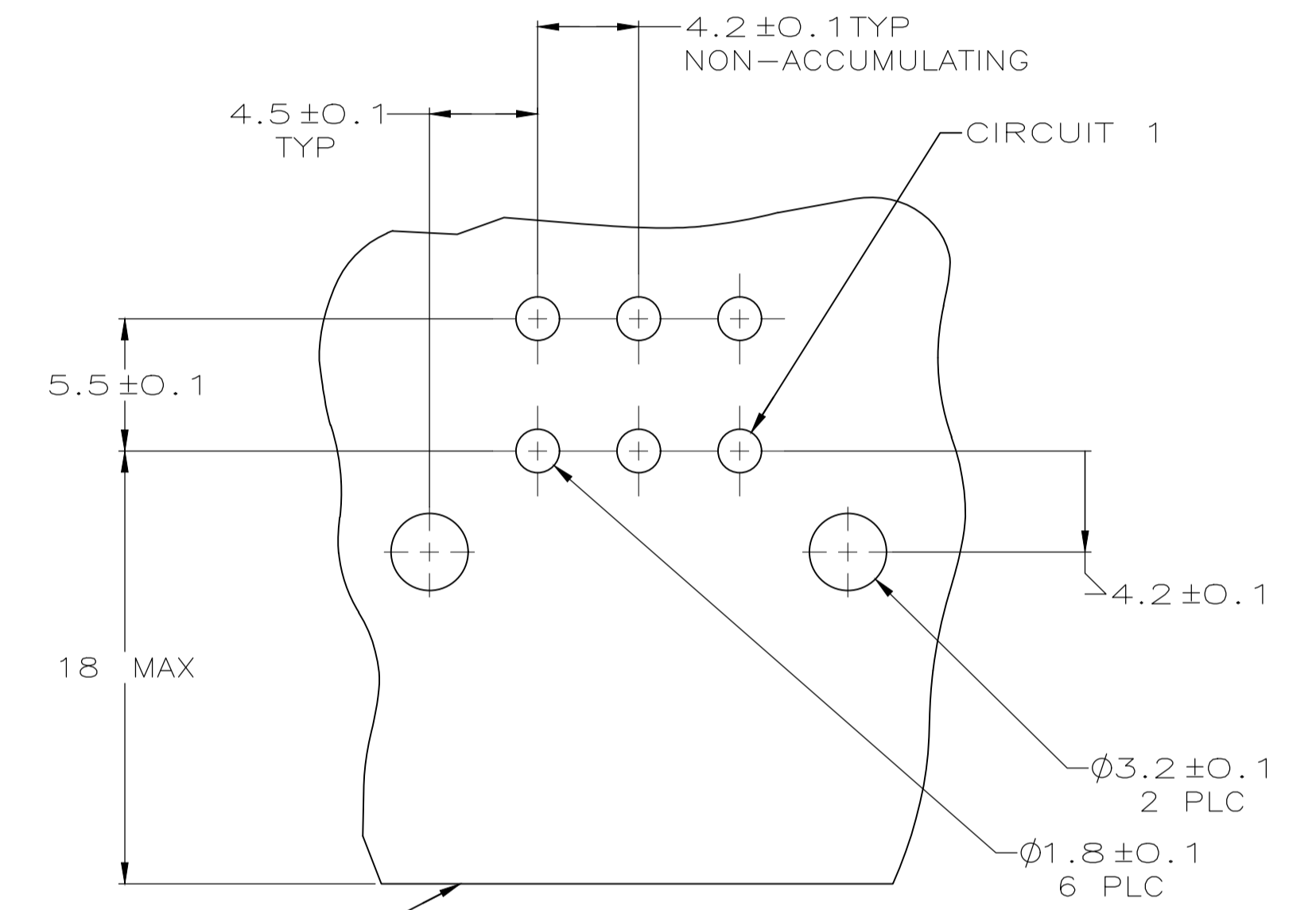


SECTION B-B

- △ CONTACT: 0.00076 GOLD AT INTERFACE. 0.00254 MIN MATTE TIN ON SOLDER TAIL. 0.00127 MIN NICKEL UNDERPLATE ALL OVER.
- 2. MATES WITH AMP-DUAC/PL PLUG RECEPTACLE 794153 AND ITS CONTACTS.
- △ CLEARANCE ENVELOPE FOR MATING PLUG RECEPTACLE LATCH.
- △ ALL POSTS STANDARD.
- △ CONTACT GROUND POST LOCATED IN CIRCUIT 3, ASSEMBLY P/N 5794173-3.
- △ CONTACT GROUND POST LOCATED IN CIRCUIT 3, ASSEMBLY P/N: 5794173-4.



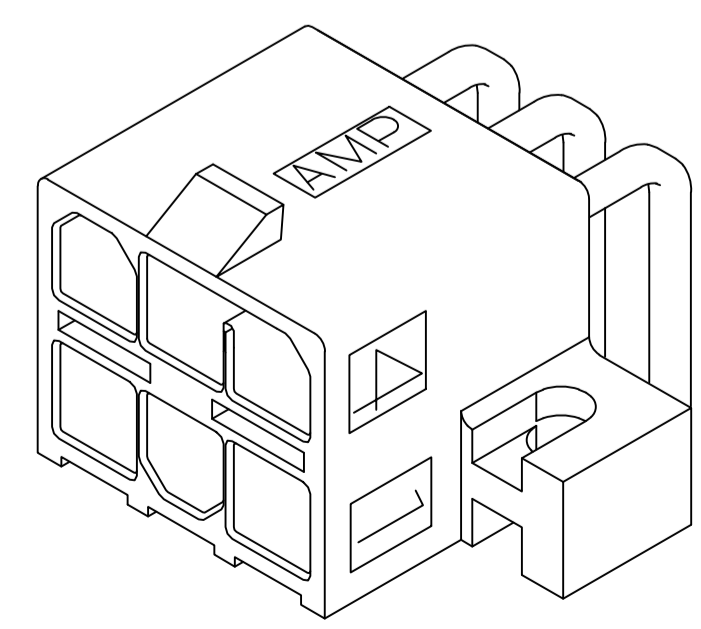
SECTION A-A



RECOMMENDED MOUNTING HOLE PATTERN FOR 1.78 MAX THICK P.C. BOARD COMPONENT SIDE SHOWN SCALE 4:1

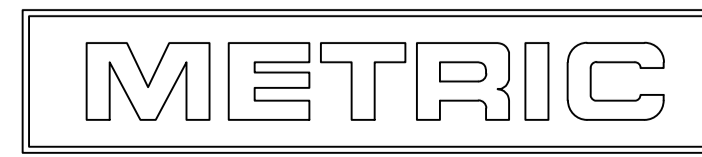
5794173-3 SHOWN

OBSOLETE



3-DIMENSIONAL MODEL NTS

△	2,5	BRASS	△	PBT, UL94V-0	NATURAL(WHITE)	5794173-4
△	-	BRASS	△	PBT, UL94V-0	NATURAL(WHITE)	5794173-3
△	-	BRASS	△	PBT, UL94V-0	NATURAL(WHITE)	5794173-2
POST NO. OMITTED	MATERIAL	FINISH	MATERIAL	COLOR	PART NO	



THIS DRAWING IS A CONTROLLED DOCUMENT.

DIMENSIONS: mm	TOLERANCES UNLESS OTHERWISE SPECIFIED:	DIN R. GRZYBOWSKI 04MAR05	tyco Electronics	Tyco Electronics Corporation Middletown, Pa 17057
0 PLC ± -	1 PLC ± 0.2	CHK A. FRANTUM 04MAR05	NAME	HEADER ASSEMBLY, RIGHT ANGLE, 6 CIRCUIT, AMP-DUAC / PL POWER CONNECTOR
2 PLC ± 0.13	3 PLC ± -	APVD A. FRANTUM 04MAR05	PRODUCT SPEC	108-1646
4 PLC ± -	ANGLES ± - ± 0° 30'	APPLICATION SPEC	SIZE	114-6067
MATERIAL SEE TABLE	FINISH SEE TABLE	WEIGHT	SCALE	A1 00779 C=5794173
CUSTOMER DRAWING			RESTRICTED TO	SCALE 5:1 SHEET 1 OF 1 REV A1