

MATERIALS AND FINISHES:

BODY: BRASS
 PLATED: SEE TABLE

CONTACT: BERYLLIUM COPPER
 PLATED: SEE TABLE

INSULATOR: PTFE

ALIGNMENT PLUG: PTFE (-0110 ONLY)

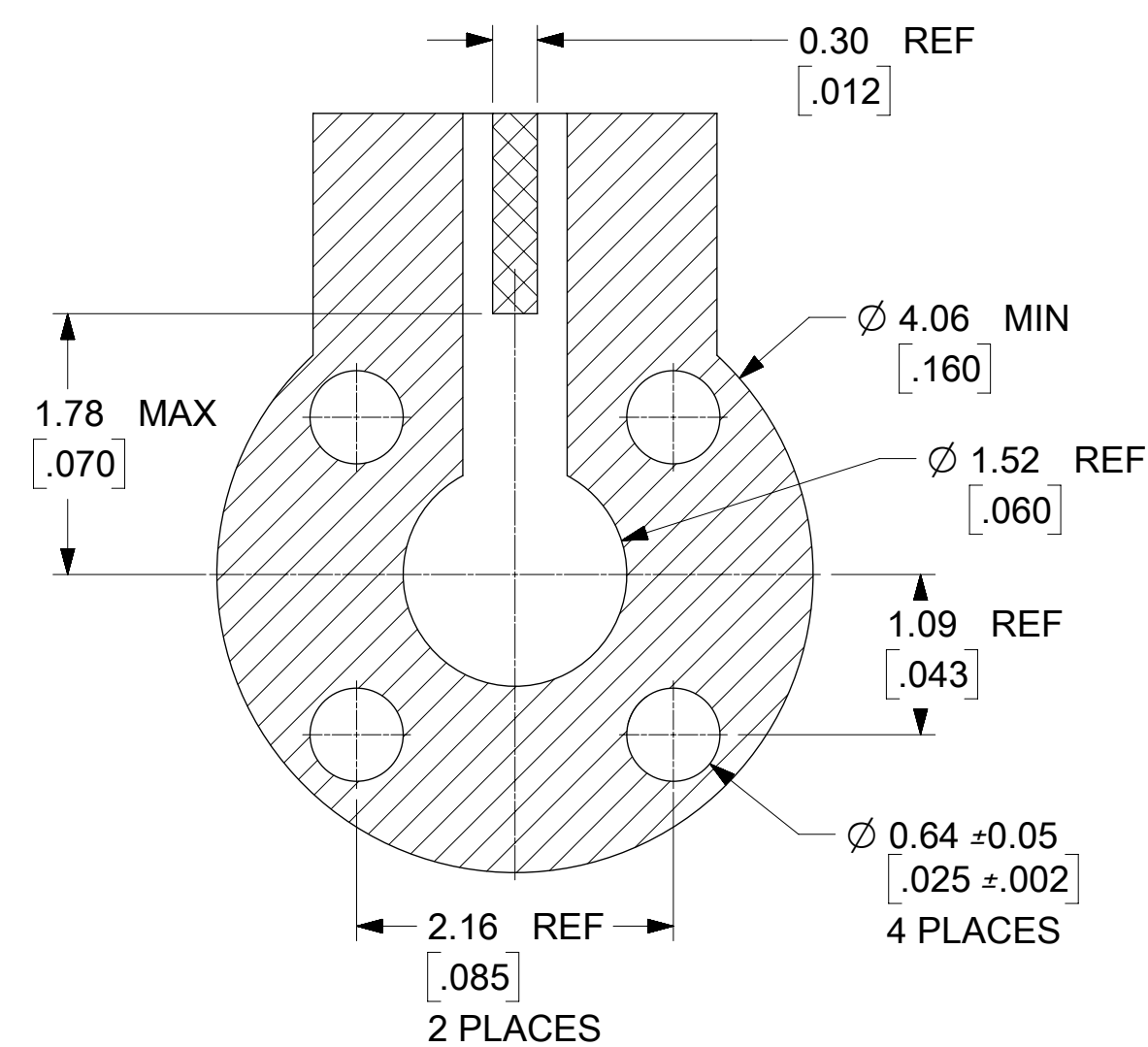
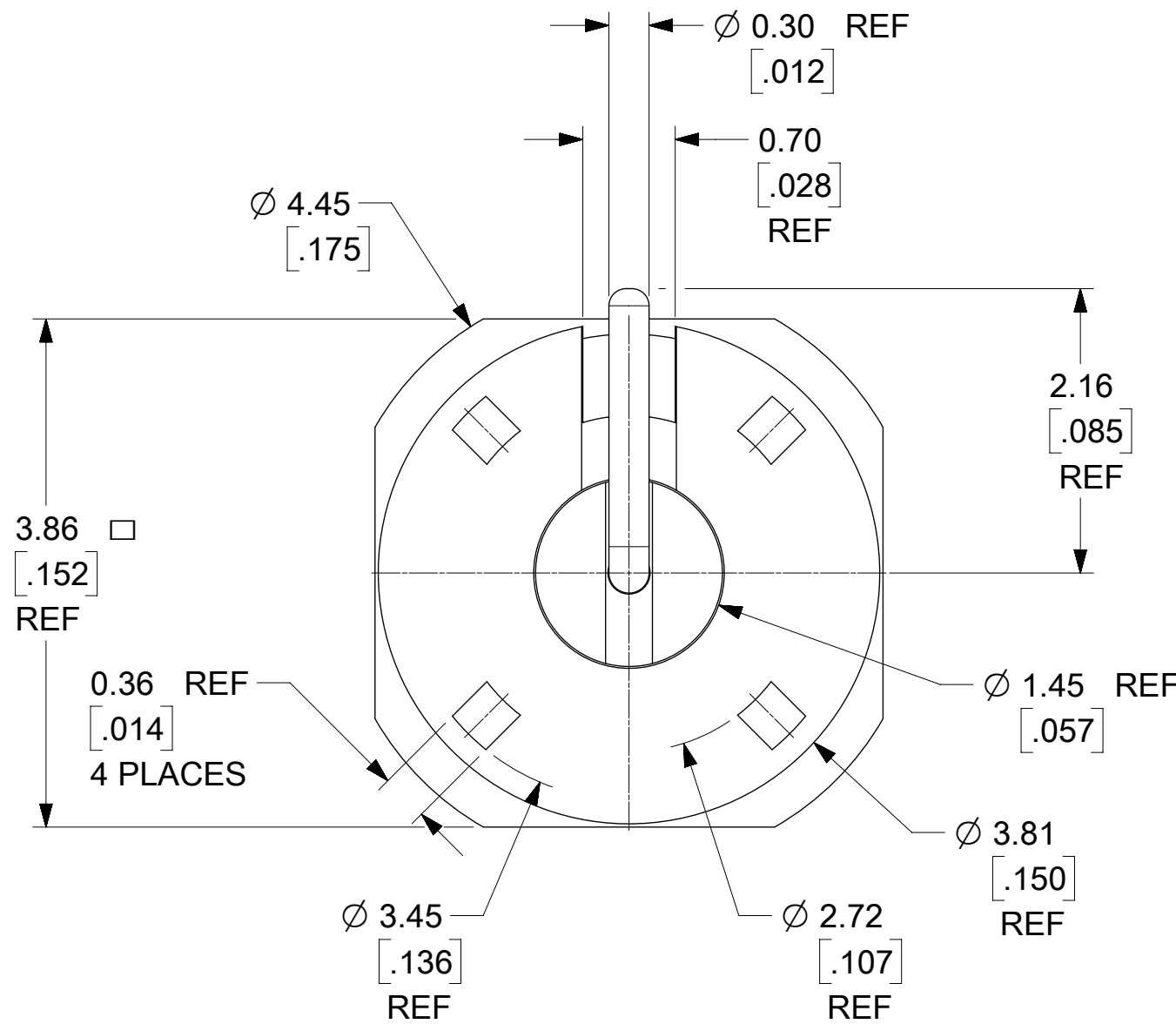
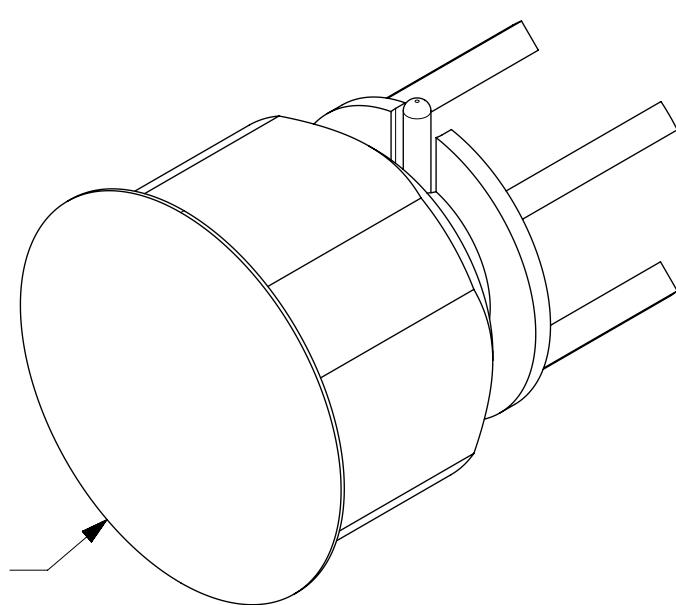
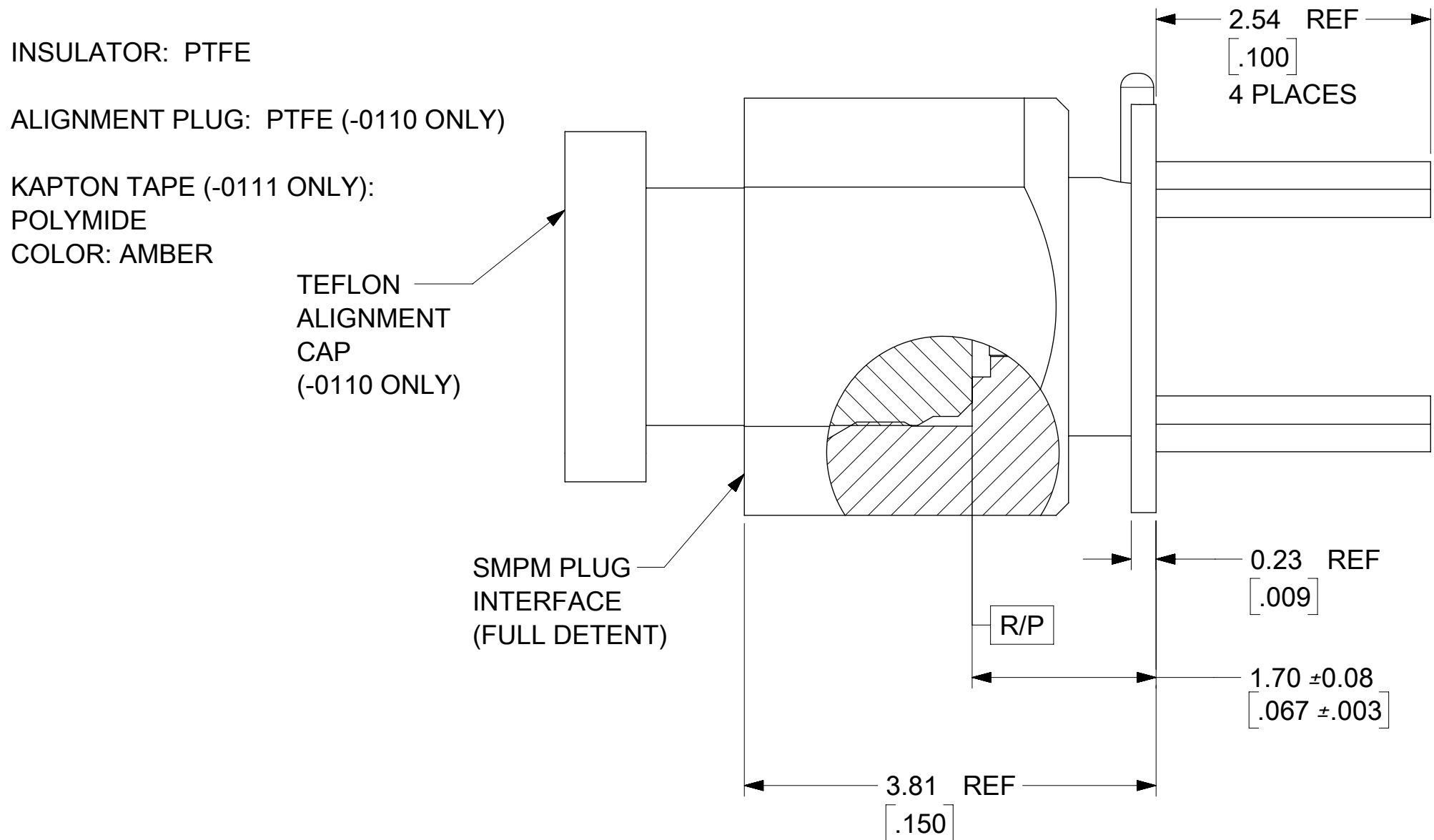
KAPTON TAPE (-0111 ONLY):
 POLYIMIDE
 COLOR: AMBER

TEFLON
 ALIGNMENT
 CAP
 (-0110 ONLY)

SMPM PLUG
 INTERFACE
 (FULL DETENT)

R/P

KAPTON TAPE
 (-0111 ONLY)

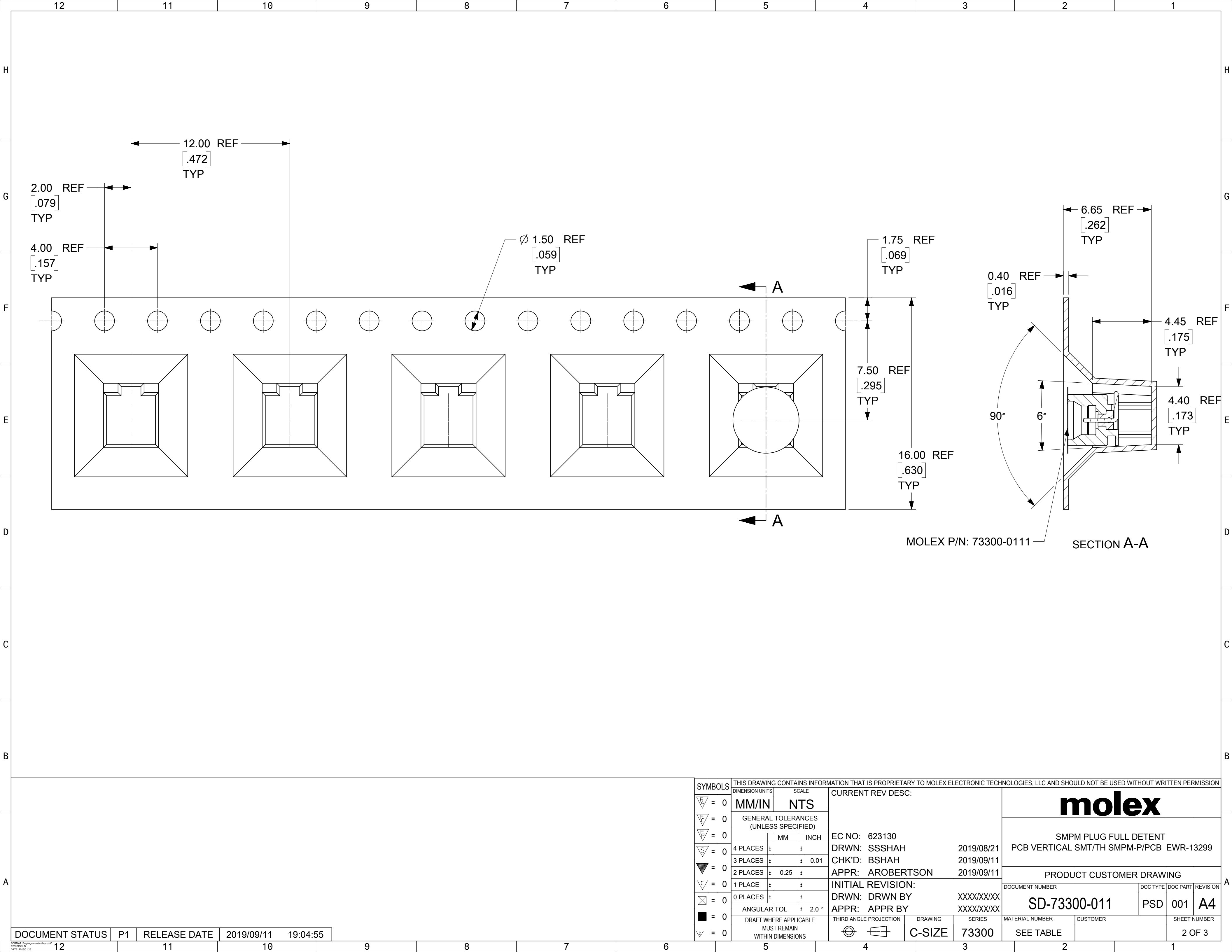


SUGGESTED PCB FOOTPRINT

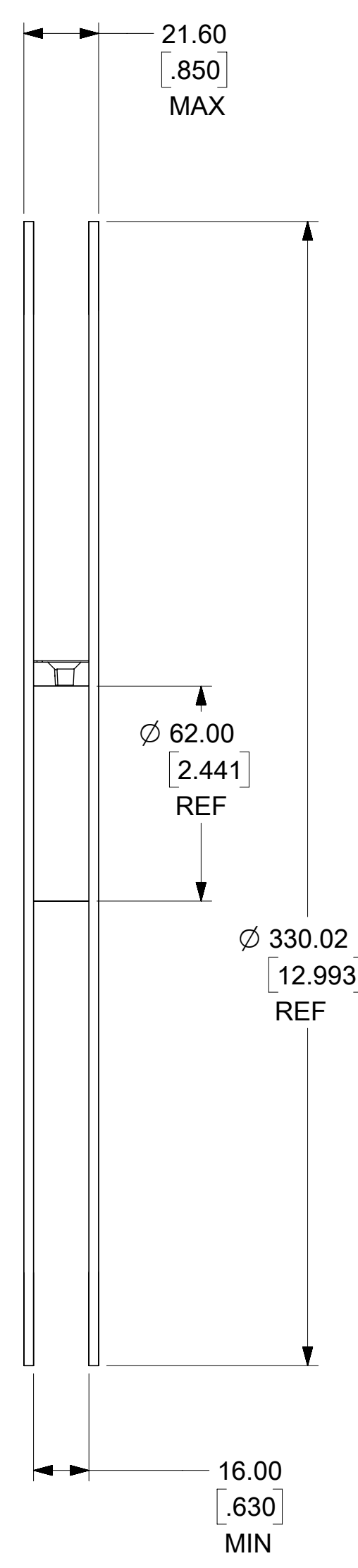
73300-0111	GOLD (1 µ-in MIN) OVER NICKEL (100 µ-in MIN)	GOLD (10 µ-in MIN) OVER NICKEL (50 µ-in MIN)	TAPE & REEL
73300-0110	GOLD (30 µ-in MIN) OVER NICKEL (100 µ-in MIN)	GOLD (30 µ-in MIN) OVER NICKEL (100 µ-in MIN)	TRAY
PART NO.	BODY PLATING	CONTACT PLATING	PACKAGING

MIL-STD-348B, FIG. 328.2	SMPM PLUG INTERFACE
SPECIFICATION	DESCRIPTION

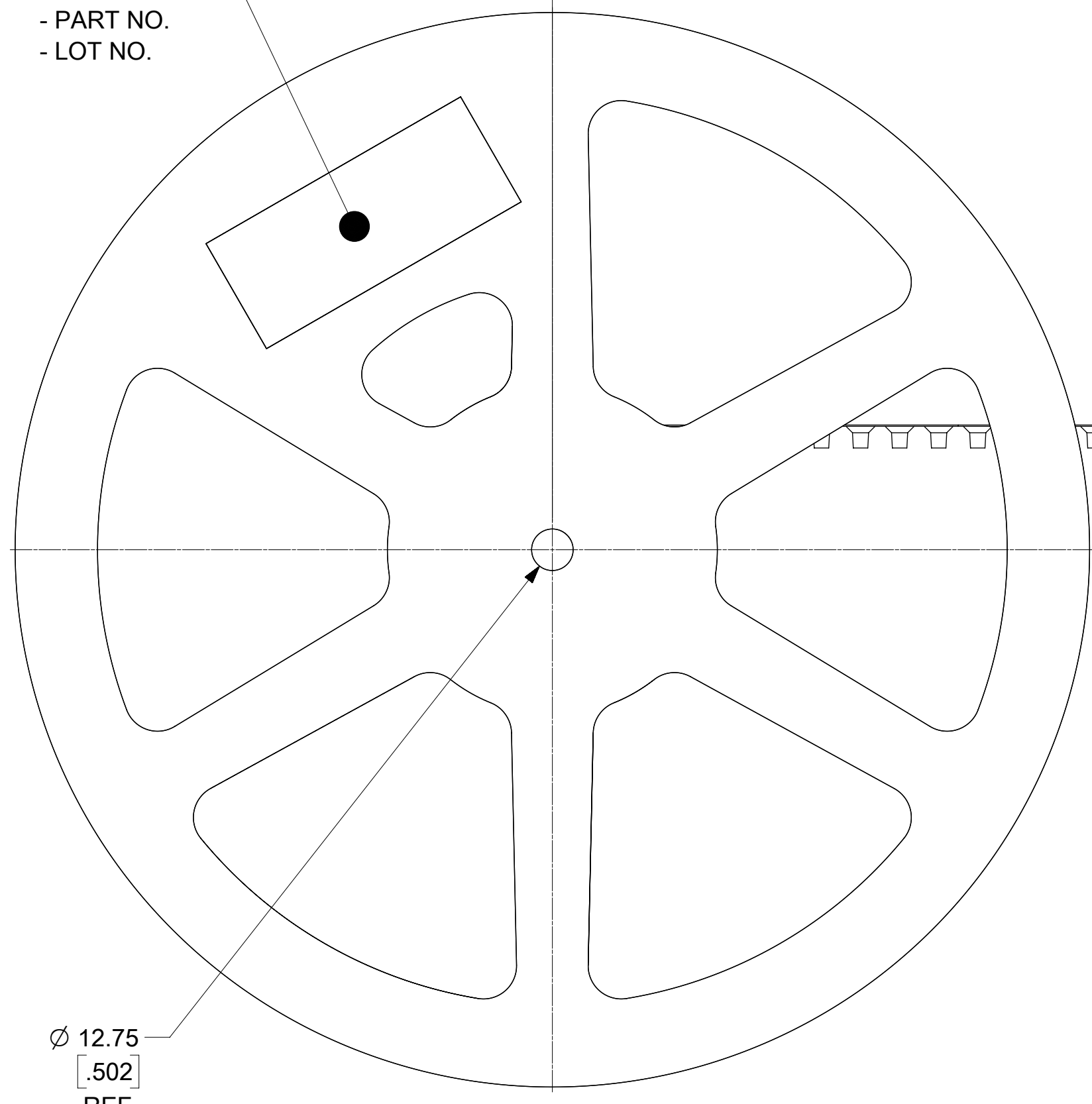
SYMBOLS DIMENSION UNITS: MM/IN SCALE: NTS GENERAL TOLERANCES (UNLESS SPECIFIED) 4 PLACES ± [] ± [] 3 PLACES ± [] ± 0.01 2 PLACES ± 0.25 ± [] 1 PLACE ± [] ± [] 0 PLACES ± [] ± [] ANGULAR TOL ± 2.0 ° DRAFT WHERE APPLICABLE MUST REMAIN WITHIN DIMENSIONS THIRD ANGLE PROJECTION DRAWING SERIES: C-SIZE 73300	THIS DRAWING CONTAINS INFORMATION THAT IS PROPRIETARY TO MOLEX ELECTRONIC TECHNOLOGIES, LLC AND SHOULD NOT BE USED WITHOUT WRITTEN PERMISSION CURRENT REV DESC: EC NO: 623130 DRWN: SSSHAH 2019/08/21 CHK'D: BSHAH 2019/09/11 APPR: AROBERTSON 2019/09/11 INITIAL REVISION: DRWN: JLEE02 2011/12/19 APPR: JWIENER 2012/08/23		 SMPM PLUG FULL DETENT PCB VERTICAL SMT/TH SMPM-P/PCB EWR-13299 PRODUCT CUSTOMER DRAWING DOCUMENT NUMBER: SD-73300-011 DOC TYPE: PSD DOC PART: 001 REVISION: A4 MATERIAL NUMBER: SEE TABLE CUSTOMER: SEE TABLE SHEET NUMBER: 1 OF 3	
	DOCUMENT STATUS: P1 RELEASE DATE: 2019/09/11 19:04:55	DRAFT WHERE APPLICABLE MUST REMAIN WITHIN DIMENSIONS THIRD ANGLE PROJECTION DRAWING SERIES: C-SIZE 73300		



THIS DRAWING CONTAINS INFORMATION THAT IS PROPRIETARY TO MOLEX ELECTRONIC TECHNOLOGIES, LLC AND SHOULD NOT BE USED WITHOUT WRITTEN PERMISSION												
SYMBOLS		DIMENSION UNITS		SCALE		CURRENT REV DESC:						
∇ = 0	MM/IN	NTS										
∇ = 0	GENERAL TOLERANCES (UNLESS SPECIFIED)											
∇ = 0		MM	INCH									
S = 0	4 PLACES	±	±			EC NO: 623130						
∇ = 0	3 PLACES	±	± 0.01			DRWN: SSSHAH 2019/08/21						
∇ = 0	2 PLACES	± 0.25	±			CHK'D: BSHAH 2019/09/11						
∇ = 0	1 PLACE	±	±			APPR: AROBERTSON 2019/09/11						
∇ = 0	0 PLACES	±	±			INITIAL REVISION:						
∇ = 0	ANGULAR TOL		± 2.0 °			DRWN: DRWN BY		XXXX/XX/XX				
∇ = 0	DRAFT WHERE APPLICABLE MUST REMAIN WITHIN DIMENSIONS				THIRD ANGLE PROJECTION		DRAWING	SERIES				
∇ = 0					C-SIZE		73300					
DOCUMENT STATUS				P1	RELEASE DATE		2019/09/11	19:04:55				
molex				SMPM PLUG FULL DETENT PCB VERTICAL SMT/TH SMPM-P/PCB EWR-13299								
PRODUCT CUSTOMER DRAWING				DOCUMENT NUMBER		DOC TYPE	DOC PART	REVISION				
SD-73300-011				PSD	001	A4						
SEE TABLE				CUSTOMER		SHEET NUMBER		2 OF 3				



LABEL:
- ORDER NO.
- QUANTITY
- PART NO.
- LOT NO.



250 EMPTY UNITS
MINIMUM

ORDER QUANTITY PACKET
WITH 850 COMPONENTS

ORDER QUANTITY PACKET
WITH 850 COMPONENTS

HANDLING DIRECTION →

230.00
[9.055]
MIN

PACKING DESCRIPTION:

1. MATERIAL: PS BLACK - THICKNESS: 0.4 MM
2. COMPONENT LOAD PER 13" REEL: 850 PCS (SHOWN)
3. DIMENSIONS ARE PROVIDED FOR REFERENCES ONLY

SYMBOLS DIMENSION UNITS: MM/IN SCALE: NTS GENERAL TOLERANCES (UNLESS SPECIFIED): 4 PLACES ± 3 PLACES ± 0.01 2 PLACES ± 0.25 1 PLACE ± 0 PLACES ± ANGULAR TOL ± 2.0° DRAFT WHERE APPLICABLE MUST REMAIN WITHIN DIMENSIONS THIRD ANGLE PROJECTION DRAWING SERIES: C-SIZE 73300	THIS DRAWING CONTAINS INFORMATION THAT IS PROPRIETARY TO MOLEX ELECTRONIC TECHNOLOGIES, LLC AND SHOULD NOT BE USED WITHOUT WRITTEN PERMISSION		
	CURRENT REV DESC:		
	EC NO: 623130	DRWN: SSSHAH	2019/08/21
	CHK'D: BSHAH	2019/09/11	
INITIAL REVISION:			
DRWN: DRWN BY	XXXX/XX/XX		
APPR: APPR BY	XXXX/XX/XX		
DOCUMENT NUMBER	DOC TYPE	DOC PART	REVISION
SD-73300-011	PSD	001	A4
MATERIAL NUMBER	CUSTOMER	SHEET NUMBER	
SEE TABLE		3 OF 3	

molex

SMPM PLUG FULL DETENT
PCB VERTICAL SMT/TH SMPM-P/PCB EWR-13299

PRODUCT CUSTOMER DRAWING