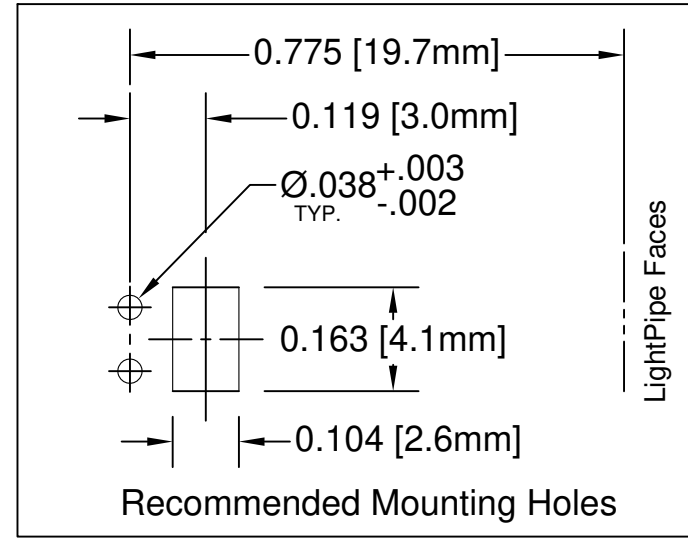
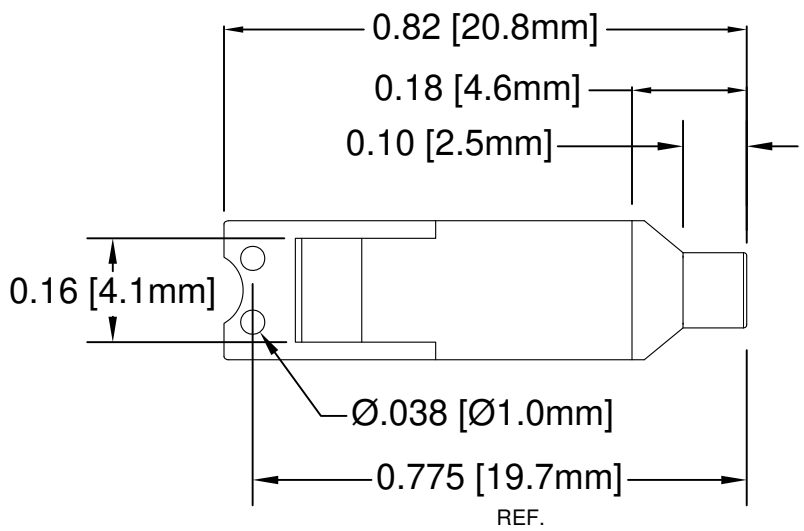
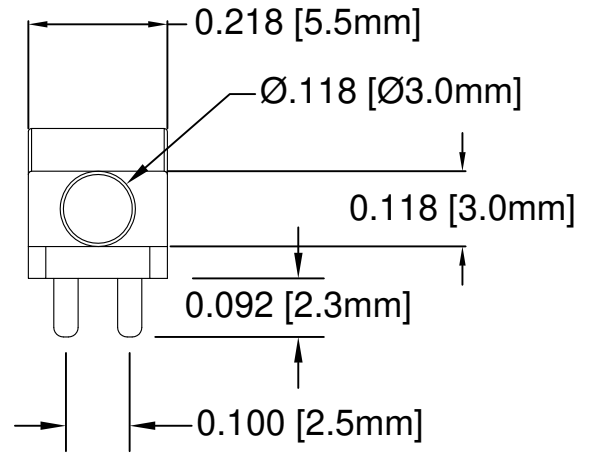
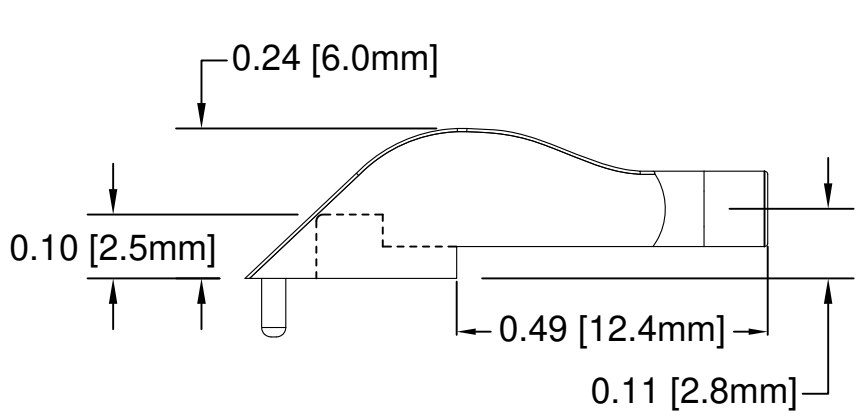



REV.	DESCRIPTION	DATE	APPROVED
A	Engineering Update w/o Changes	03/09/04	M. C.
B	TYPO Correction, Dim. 0.775" was 0.740".	05/11/05	M. C.
C	Updated Material Code.	02/12/07	M. C.
D	Updated Material Note and Mounting Hole Dim.	01/30/14	J. C.
E	Engineering Update w/o Changes	02/05/16	J. C.



2. MATERIAL: POLYCARBONATE, 94V-0, CLEAR.

1. GENERAL SPECIFICATIONS: BIVAR MOLDED COMPONENT SPECIFICATION BV00-E101.

STANDARD TOLERANCE (UNLESS OTHERWISE SPECIFIED)		 BIVAR [®] 4 THOMAS, IRVINE, CA. 92618 TEL: (949) 951-8808 FAX: (949) 951-3974	
DECIMALS	ANGULAR		
.X ±.1	X° ± 1°	TITLE: LIGHT PIPE, 90° SURFACE MOUNT PART NO: SLP-1 REVISION: E	
.XX ±.01			
.XXX ±.005			
DESIGNED: Shane Irving	DATE: 11/23/98	CAGE CODE : 32559	
CHECKED: R. Dienst	DATE: 08/14/00	SHEET # 1 OF 1	
CAD GENERATED DOCUMENT. DO NOT MEASURE DRAWING.			