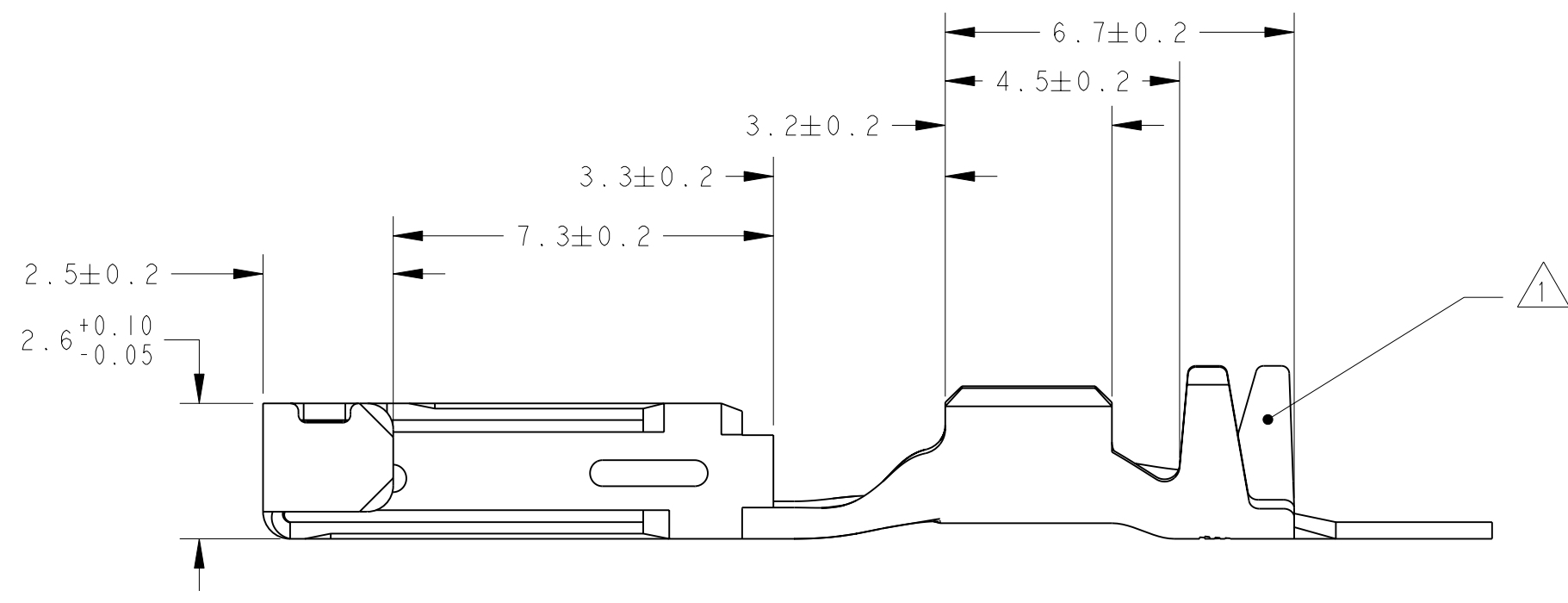


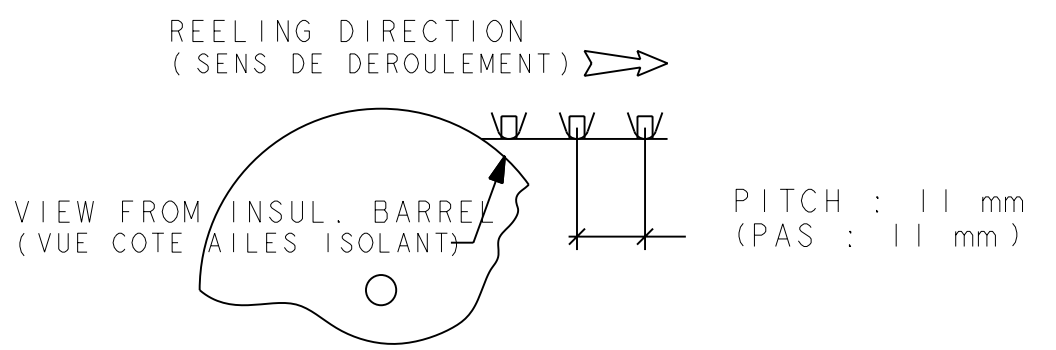
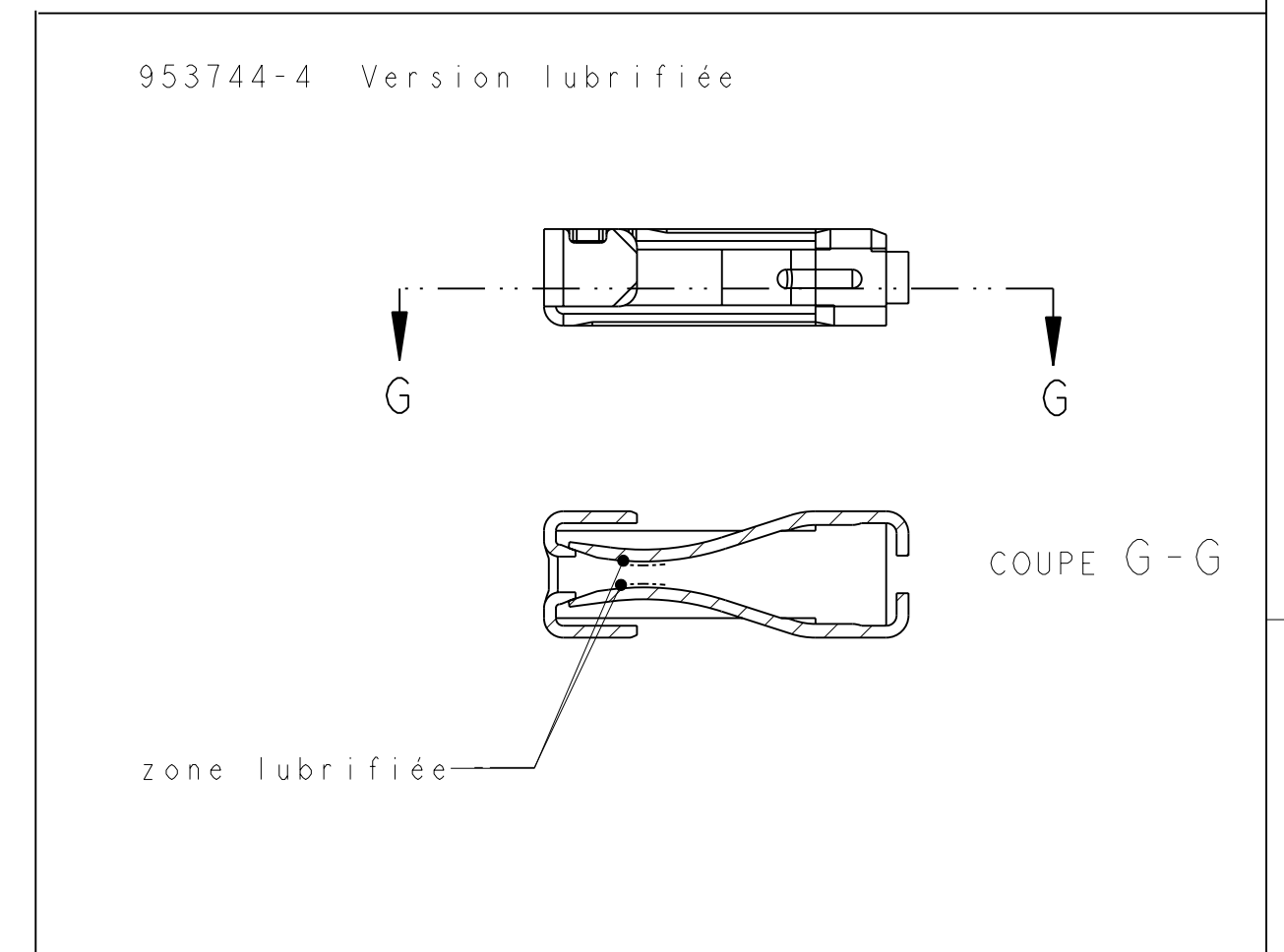
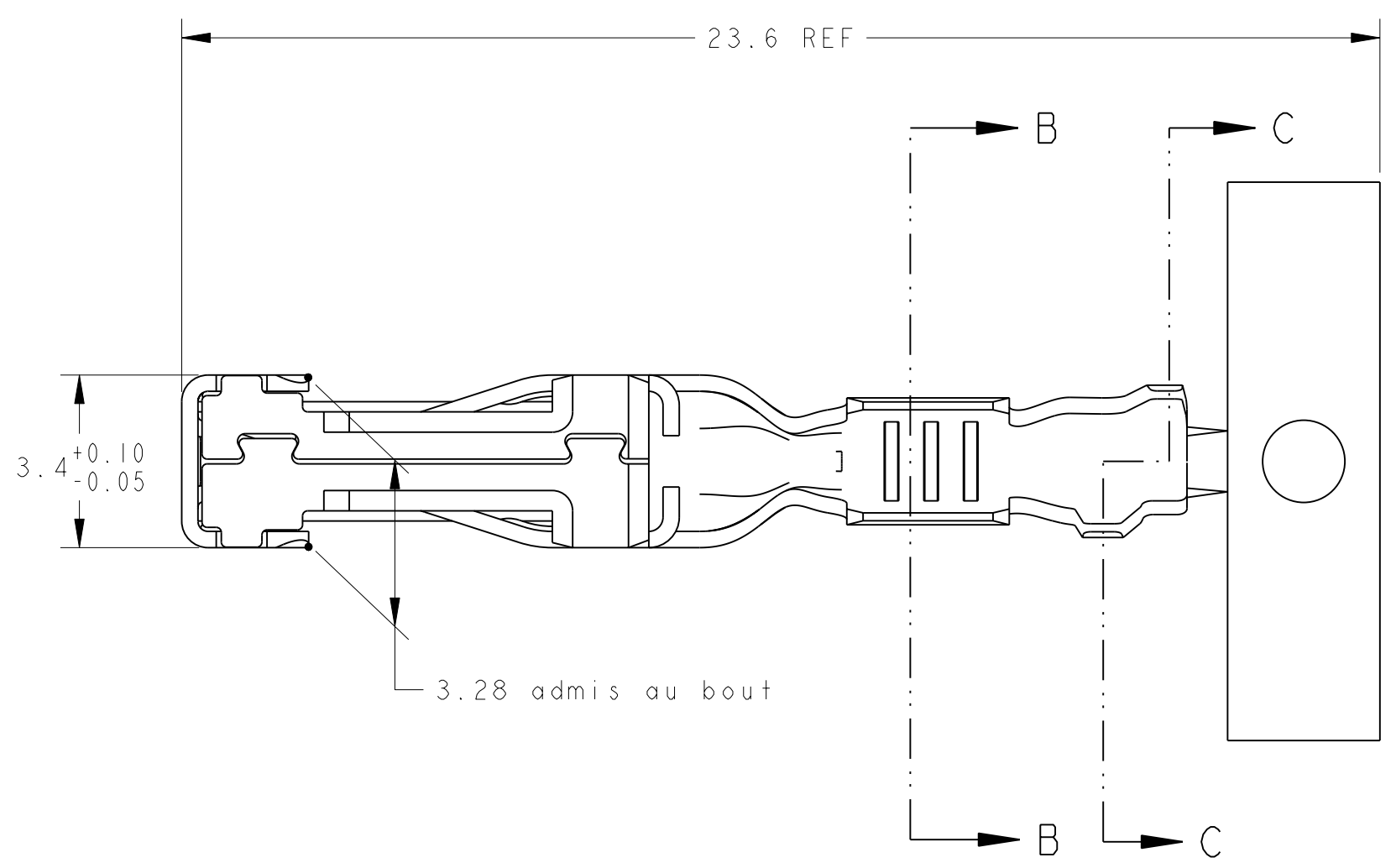
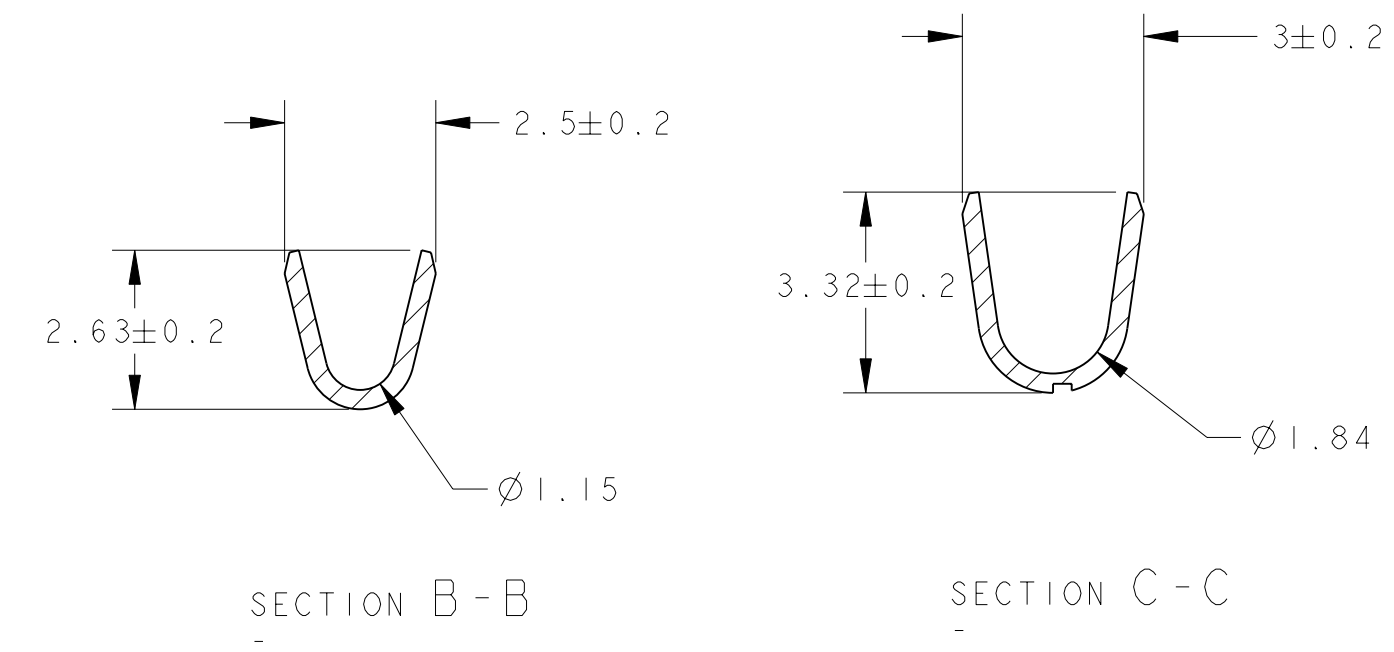
THIS DRAWING IS UNPUBLISHED.
 DIFFUSION RESTREINTE
 © COPYRIGHT 20

RELEASED FOR PUBLICATION
 LIBRE A LA DIFFUSION
 ALL RIGHTS RESERVED.
 TOUS DROITS RESERVES.

LOC	DIST	REVISIONS			
P	LTR	DESCRIPTION MODIFICATIONS	DATE	DWN DESS.	APVD APP.
F	7	D	AILES DE FRETTAGE - NOTE 1 RAJOUTEE	02FEB2011	AR XR



NOTE: $\triangle 1$ AILES DE FRETTAGE: SYMETRIE ACCEPTEE
 INSULATIONS WINGS: SYMMETRY ACCEPTED



REF. TE	MATIERE	FINITION	VERSION
-	-	-	-
953744-4	CuNiSi	Dorure selective sur zone de contact 1.27 micron	LUBRIFIE
953744-2	CuNiSi	PRE ETAME 0.8-3.3 µm	
-	-	-	-

THIS DRAWING IS A CONTROLLED DOCUMENT.
 CE SCHEMA EST UN DOCUMENT CONTROLE.

DIMENSIONS: mm

TOLERANCES UNLESS OTHERWISE SPECIFIED:
 TOLERANCES NON SPECIFIEES (SUIV. NR DE DECIMALES)

0	±
1	±
2	±0.2
3	±
4	±

ANGLES ±2°

FINISH FINITION

MATERIAL MATIERE

DWN/DESSINE: F. QUARANTA 12Jan00
 CHK/VERIFIE: J. LALANGE 12Jan00
 APVD/APROUVE: J.-J. REVIL 12Jan00

PRODUCT SPEC: 108-15301
 SPEC, APPLICATION: 114-15089

WEIGHT MASSE APPROX.: 0.4g

CUSTOMER DRAWING /PLAN CLIENT

UNIQUEMENT POUR REFERENCE

SCALE ECHELLE: 5:1

SHEET FEUILLE: 1 OF DE: 1

REV D

STE TE Connectivity

NAME TITRE: 1.5mm TWIN SPRING CONTACT (TSC)
 (SECTION : 0.35 to 0.75 mm2)

SIZE FORMAT: A2
 CAGE CODE: 200779
 DRAWING NO: 953744

RESTRICTED TO RESERVE A