

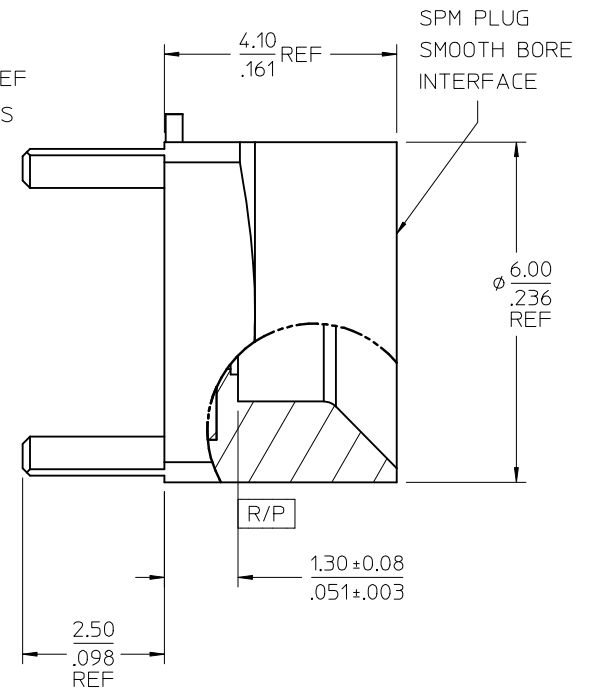
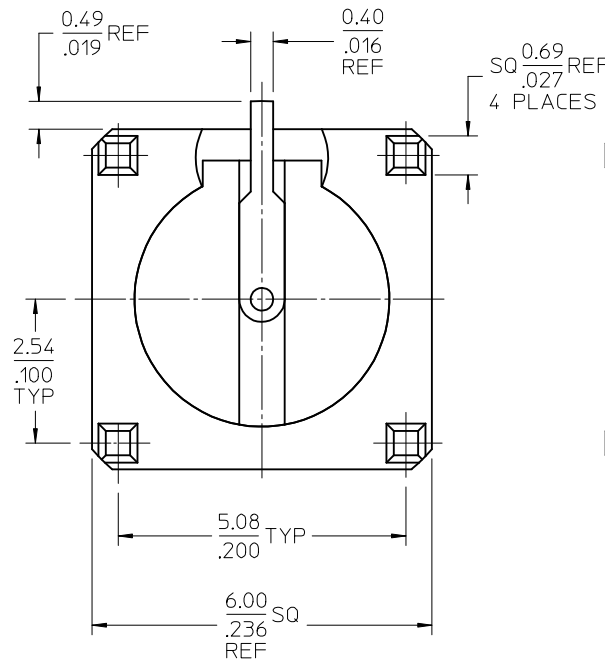
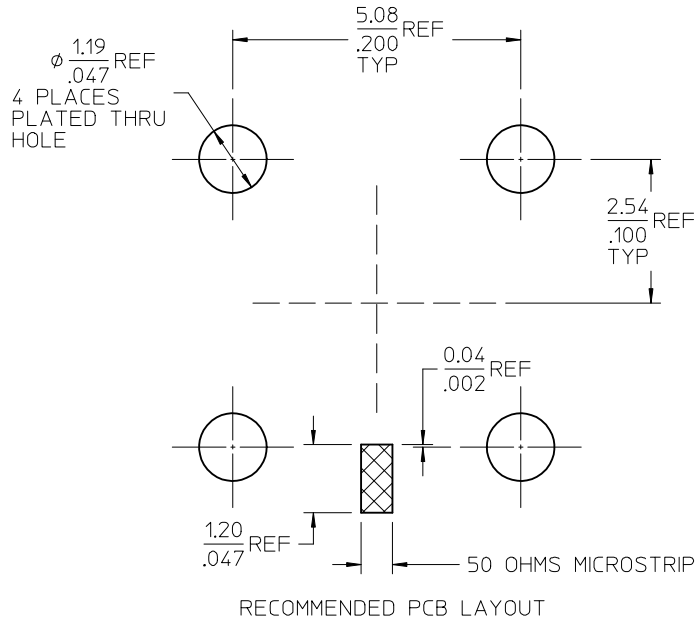
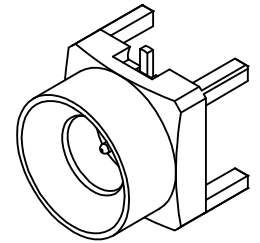
MATERIALS AND FINISHES:

BODY, CONTACT: BRASS
 PLATED: GOLD (30μ-in MIN)
 OVER NICKEL (100μ-in MIN)

INSULATOR: PEEK OR LCP

KAPTON: POLYIMIDE
 COLOR: BLACK

TAPE: SEE SHEET 2
 REEL: SEE SHEET 3



73415-3322	SINGLE PIECE PER BAG
73415-3321	TAPE & REEL WITH KAPTON TAPE
73415-3320	TAPE & REEL
PART NO.	DESCRIPTION

PS-89675-3320	PRODUCT SPECIFICATION
MIL-STD-348B, FIG. 326.4	INTERFACE SMP SB
SPECIFICATION	DESCRIPTION

CHG: ADD TOLERANCE TO DIM 1.30/.051 IN D2 ZONE. UPD MATERIALS AND FINISHES NOTE. EC NO: URF2017-0403 DRWIN:APRAKASH01 2017/06/01 CHKD:BBB 2017/06/01 APPR:AROBERTSON 2017/06/29

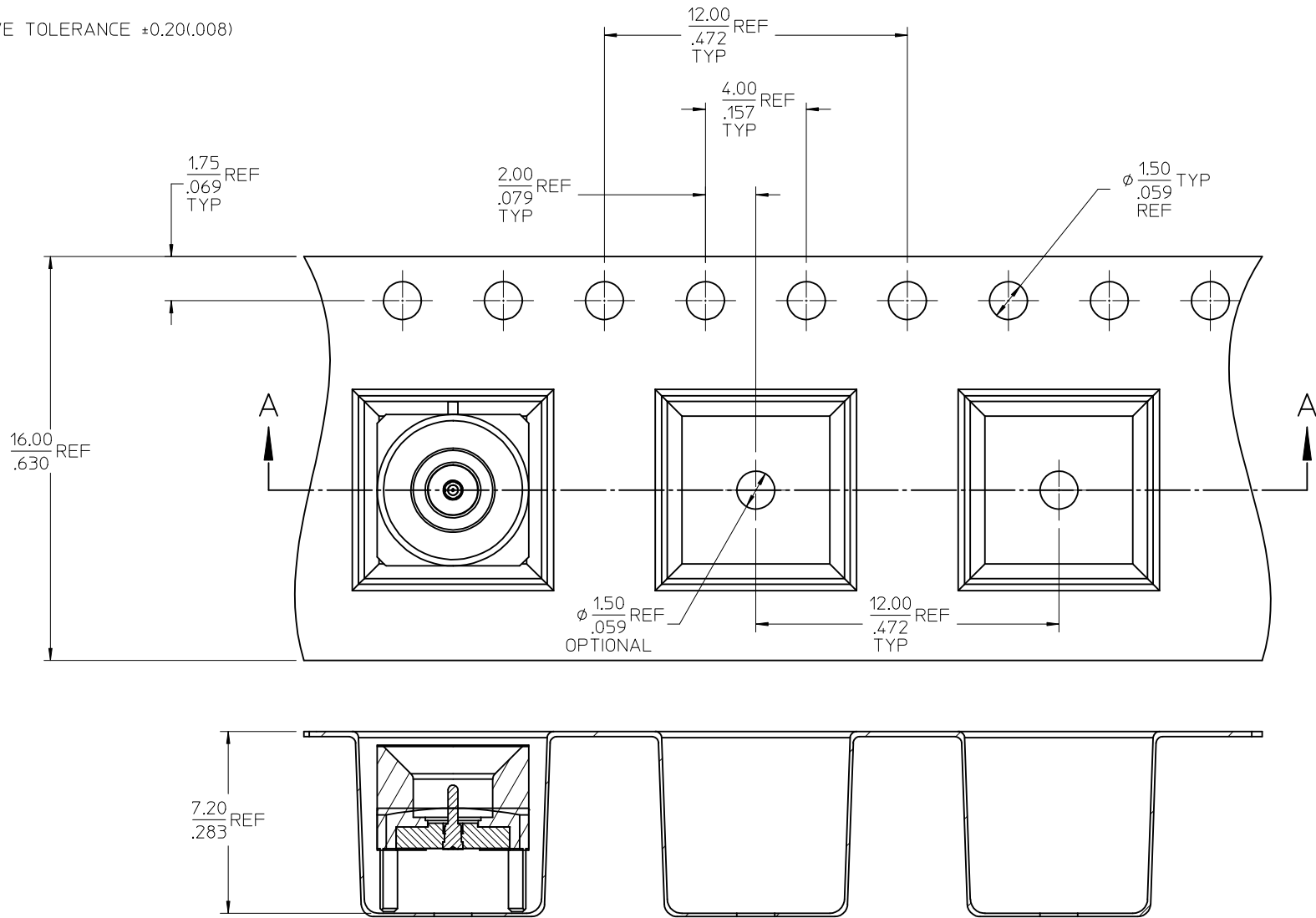
DESCRIPTION

REV: C7

QUALITY SYMBOLS	GENERAL TOLERANCES (UNLESS SPECIFIED)
▽=0	mm INCH
▽=0	4 PLACES ± --- ± ---
▽=0	3 PLACES ± --- ± .010
	2 PLACES ± 0.25 ± ---
	1 PLACE ± --- ± ---
	0 PLACE ± --- ± ---
	ANGULAR ± 2 °
	DRAFT WHERE APPLICABLE MUST REMAIN WITHIN DIMENSIONS

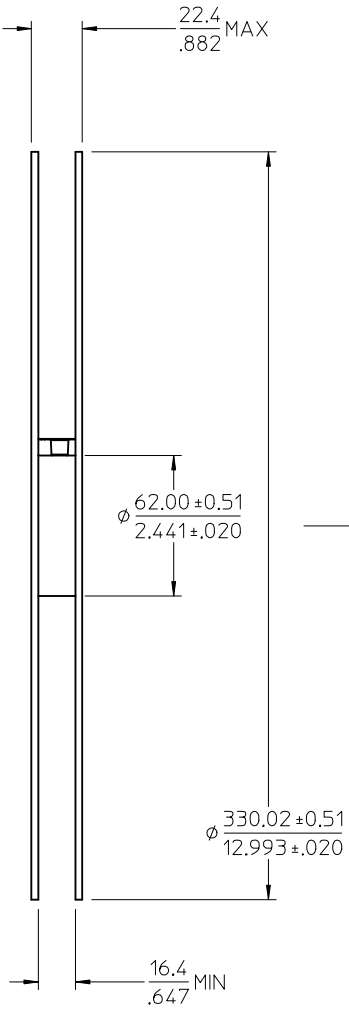
DIMENSION STYLE		SCALE	DESIGN UNITS	THIRD ANGLE PROJECTION
MM/IN			METRIC	
DRAWN BY	DATE	TITLE		
TEF	2001/05/21	SMP PLUG, STRAIGHT PCB SMOOTH BORE SMP-P/PCB EWR-1349		
CHECKED BY	DATE	molex		
SSS	2001/05/21	DOCUMENT NO. SD-73415-332		
APPROVED BY	DATE	SHEET NO. 1 OF 3		
JWIENER	2010/11/11			
MATERIAL NO.	SIZE	THIS DRAWING CONTAINS INFORMATION THAT IS PROPRIETARY TO MOLEX INCORPORATED AND SHOULD NOT BE USED WITHOUT WRITTEN PERMISSION		
SEE TABLE	C			

NOTE:
1. 10 PITCHES CUMULATIVE TOLERANCE ±0.20(.008)

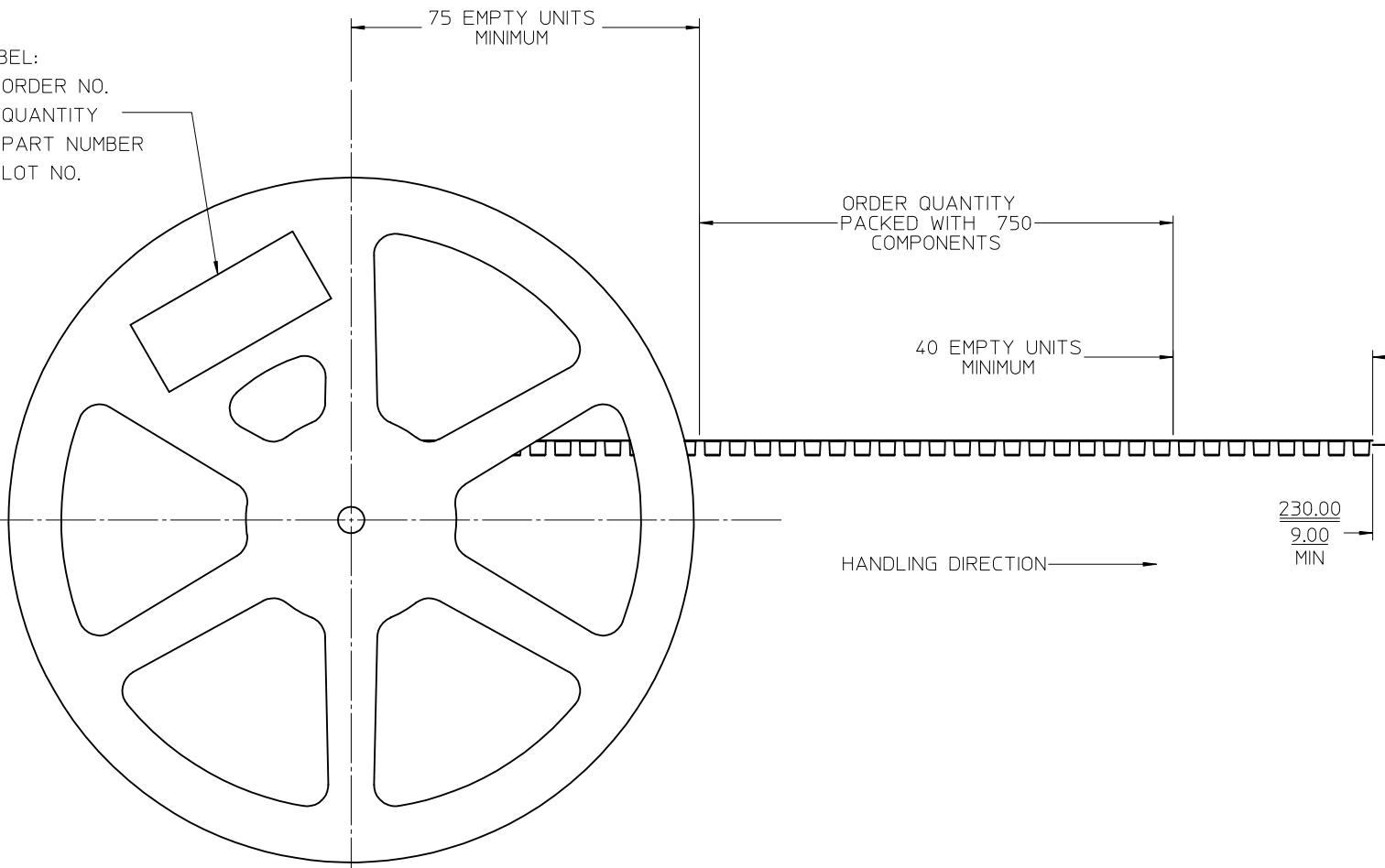


SECTION A-A

CHG: SEE SHEET 1 EC NO: URF2017-0403 DRWN: APRKASHO1 2017/06/01 CHKD: HBB 2017/06/01 APPR: AROBERTSON 2017/06/29	QUALITY SYMBOLS ▽=0 ▽=0 ▽=0	GENERAL TOLERANCES (UNLESS SPECIFIED) <table border="1"> <tr> <th></th> <th>mm</th> <th>INCH</th> </tr> <tr> <td>4 PLACES</td> <td>± .---</td> <td>± .---</td> </tr> <tr> <td>3 PLACES</td> <td>± .---</td> <td>± .010</td> </tr> <tr> <td>2 PLACES</td> <td>± 0.25</td> <td>± .---</td> </tr> <tr> <td>1 PLACE</td> <td>± .---</td> <td>± .---</td> </tr> <tr> <td>0 PLACE</td> <td>± .---</td> <td>± .---</td> </tr> </table>		mm	INCH	4 PLACES	± .---	± .---	3 PLACES	± .---	± .010	2 PLACES	± 0.25	± .---	1 PLACE	± .---	± .---	0 PLACE	± .---	± .---	DIMENSION STYLE MM/IN DRAWN BY DATE TEF 2001/05/21 CHECKED BY DATE SSS 2001/05/21 APPROVED BY DATE JWIENER 2010/11/11	SCALE DESIGN UNITS METRIC	THIRD ANGLE PROJECTION
		mm	INCH																				
	4 PLACES	± .---	± .---																				
	3 PLACES	± .---	± .010																				
2 PLACES	± 0.25	± .---																					
1 PLACE	± .---	± .---																					
0 PLACE	± .---	± .---																					
DESCRIPTION C7	ANGULAR ± 2 ° DRAFT WHERE APPLICABLE MUST REMAIN WITHIN DIMENSIONS	MATERIAL NO. SEE SHEET 1	TITLE SMP PLUG, STRAIGHT PCB SMOOTH BORE SMP-P/PCB EWR-1349	DOCUMENT NO. SD-73415-332	SHEET NO. 2 OF 3																		
THIS DRAWING CONTAINS INFORMATION THAT IS PROPRIETARY TO MOLEX INCORPORATED AND SHOULD NOT BE USED WITHOUT WRITTEN PERMISSION																							
MOLEX																							



LABEL:
 - ORDER NO.
 - QUANTITY
 - PART NUMBER
 - LOT NO.



CHG: SEE SHEET 1 EC NO: URF2017-0403 DRW:APRAKASHO1 2017/06/01 CHKD:888 2017/06/01 APPR:ROBERTSON 2017/06/29	QUALITY SYMBOLS	GENERAL TOLERANCES (UNLESS SPECIFIED)	DIMENSION STYLE	SCALE	DESIGN UNITS	THIRD ANGLE PROJECTION
	▽=0	mm INCH	MM/IN	METRIC	⊙	
	▽=0	4 PLACES ± --- ± ---	DRAWN BY DATE	TITLE		
	▽=0	3 PLACES ± --- ± .010	TEF 2001/05/21	SMP PLUG, STRAIGHT PCB		
		2 PLACES ± 0.25 ± ---	CHECKED BY DATE			
		1 PLACE ± --- ± ---	SSS 2001/05/21			
		0 PLACE ± --- ± ---	APPROVED BY DATE			
			JWIENER 2010/11/11			
		ANGULAR ± 2 °	MATERIAL NO.	DOCUMENT NO.		
		DRAFT WHERE APPLICABLE MUST REMAIN WITHIN DIMENSIONS	SEE SHEET 1	SD-73415-332		
			SIZE C			
			THIS DRAWING CONTAINS INFORMATION THAT IS PROPRIETARY TO MOLEX INCORPORATED AND SHOULD NOT BE USED WITHOUT WRITTEN PERMISSION			

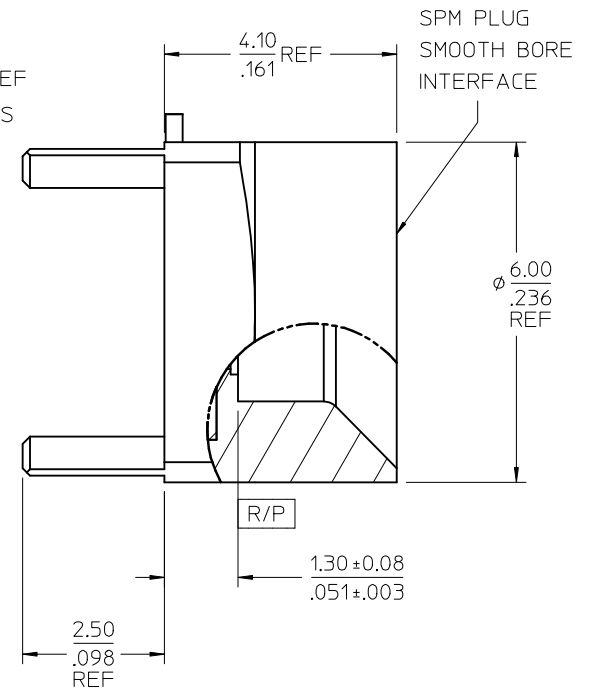
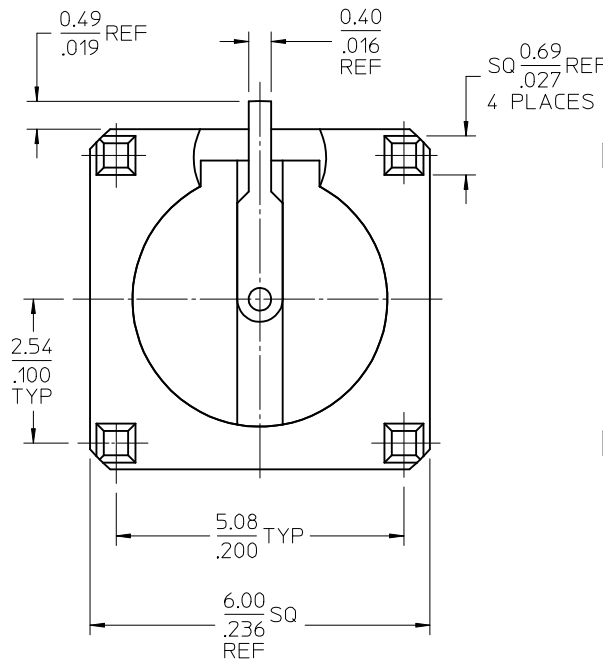
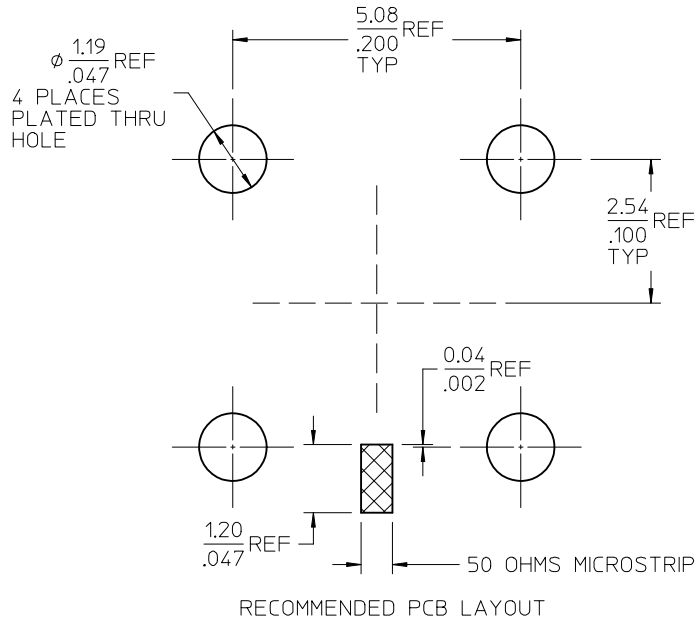
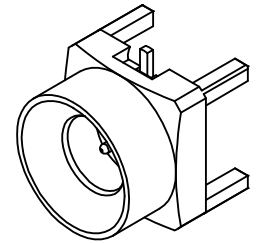
MATERIALS AND FINISHES:

BODY, CONTACT: BRASS
 PLATED: GOLD (30μ-in MIN)
 OVER NICKEL (100μ-in MIN)

INSULATOR: PEEK OR LCP

KAPTON: POLYIMIDE
 COLOR: BLACK

TAPE: SEE SHEET 2
 REEL: SEE SHEET 3



73415-3322	SINGLE PIECE PER BAG
73415-3321	TAPE & REEL WITH KAPTON TAPE
73415-3320	TAPE & REEL
PART NO.	DESCRIPTION

PS-89675-3320	PRODUCT SPECIFICATION
MIL-STD-348B, FIG. 326.4	INTERFACE SMP SB
SPECIFICATION	DESCRIPTION

CHG: ADD TOLERANCE TO DIM 1.30/.051 IN D2 ZONE. UPD MATERIALS AND FINISHES NOTE.
 EC NO: URF2017-0403
 DRWN:APRAKASH01 2017/06/01
 CHKD:BBB 2017/06/01
 APPR:AROBERTSON 2017/06/29

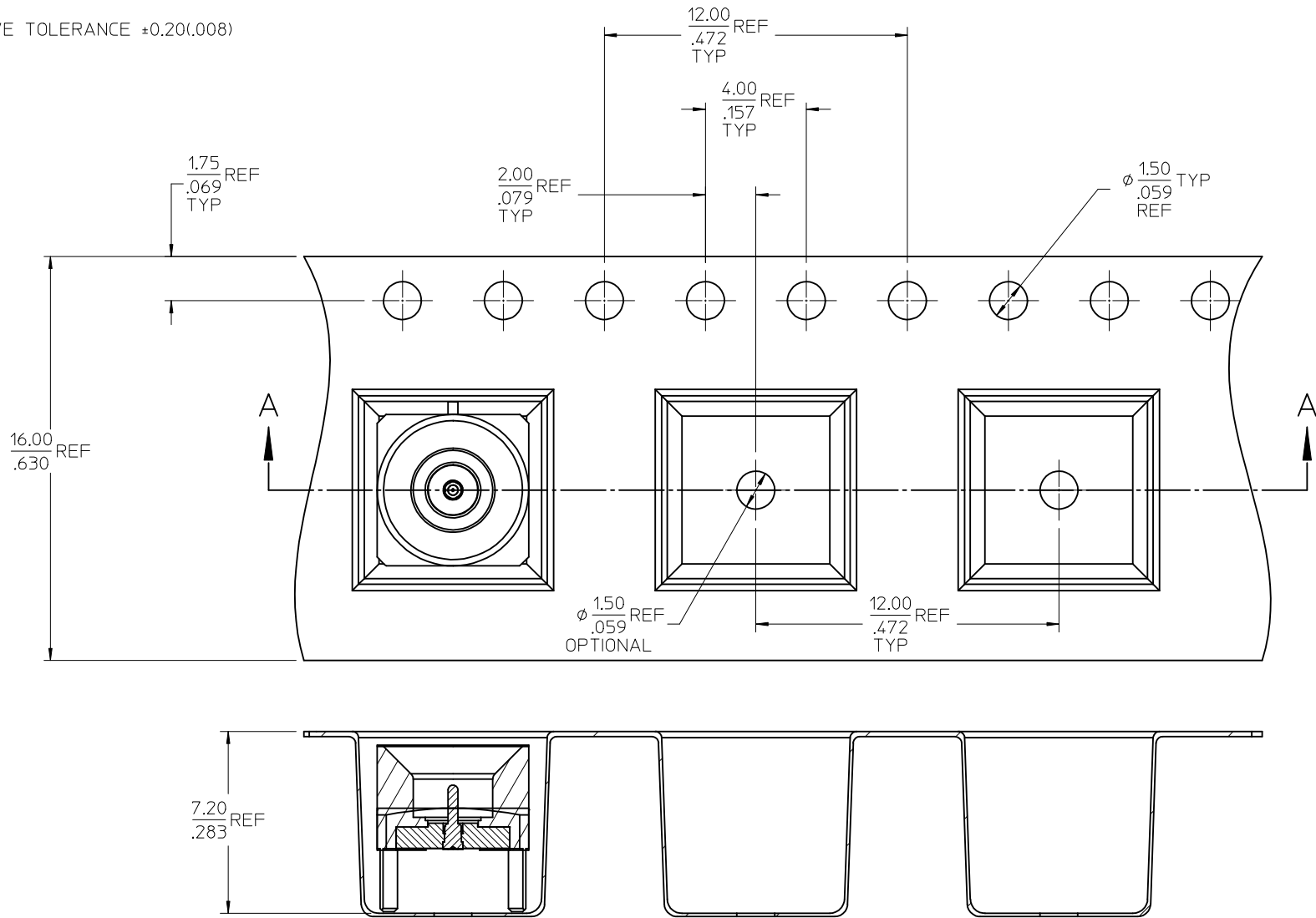
QUALITY SYMBOLS	DESCRIPTION
▽=0	
▽=0	
▽=0	

GENERAL TOLERANCES (UNLESS SPECIFIED)	
	mm INCH
4 PLACES ±	± .010
3 PLACES ±	± .010
2 PLACES ±	± 0.25
1 PLACE ±	± .010
0 PLACE ±	± .010
ANGULAR ± 2 °	
DRAFT WHERE APPLICABLE MUST REMAIN WITHIN DIMENSIONS	

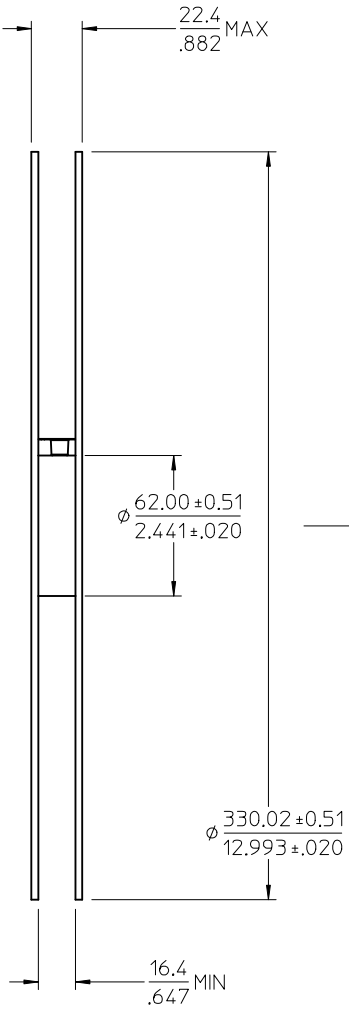
DIMENSION STYLE	
MM/IN	
DRAWN BY	DATE
TEF	2001/05/21
CHECKED BY	DATE
SSS	2001/05/21
APPROVED BY	DATE
JWIENER	2010/11/11
MATERIAL NO.	
SEE TABLE	
SIZE	C

SCALE	DESIGN UNITS	THIRD ANGLE PROJECTION
	METRIC	
TITLE		
SMP PLUG, STRAIGHT PCB SMOOTH BORE SMP-P/PCB EWR-1349		
molex		
DOCUMENT NO.		SHEET NO.
SD-73415-332		1 OF 3
THIS DRAWING CONTAINS INFORMATION THAT IS PROPRIETARY TO MOLEX INCORPORATED AND SHOULD NOT BE USED WITHOUT WRITTEN PERMISSION		

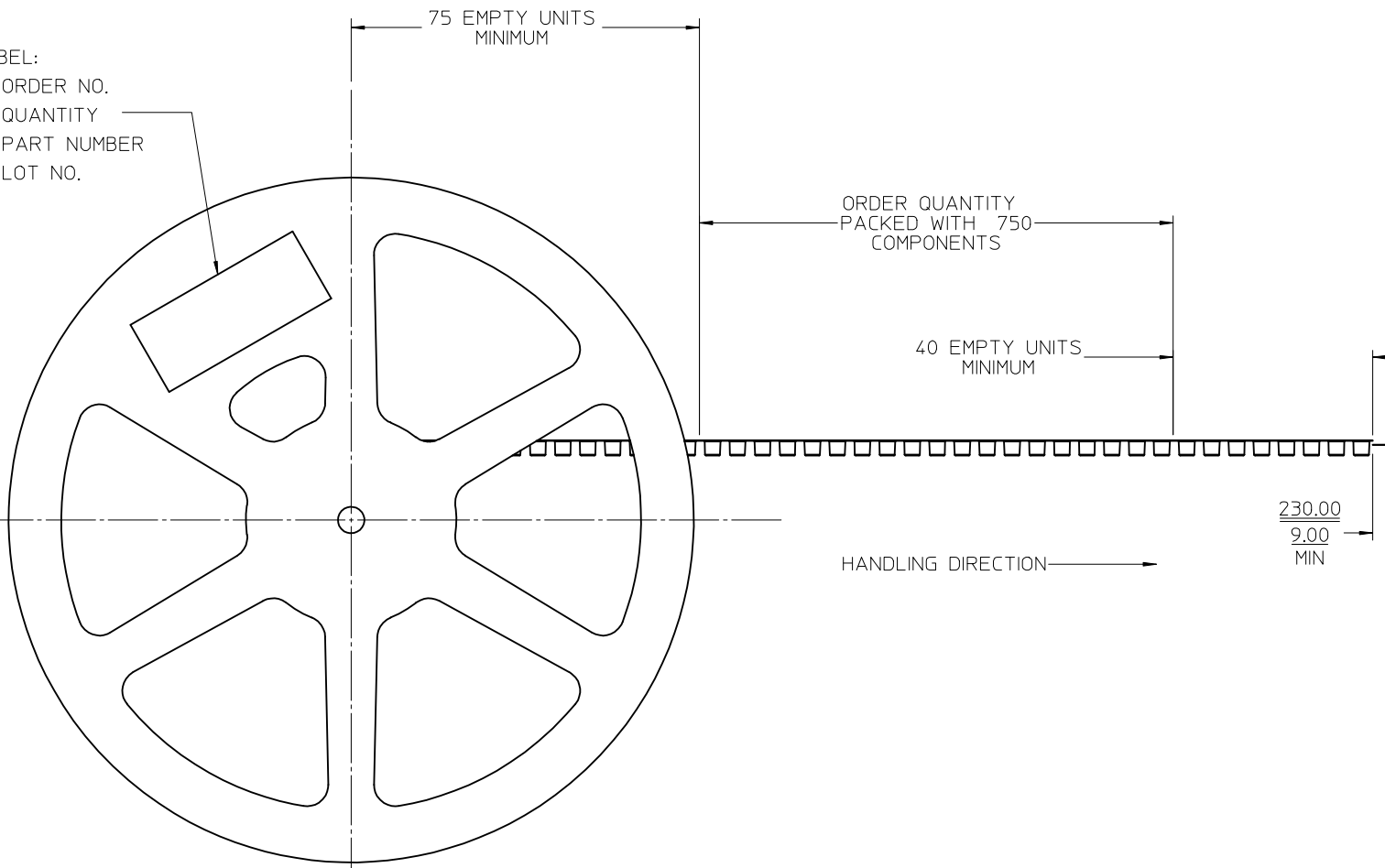
NOTE:
1. 10 PITCHES CUMULATIVE TOLERANCE ±0.20(.008)



CHG: SEE SHEET 1 EC NO: URF2017-0403 DRWN: APRKASHO1 2017/06/01 CHKD: HBB 2017/06/01 APPR: AROBERTSON 2017/06/29	QUALITY SYMBOLS	GENERAL TOLERANCES (UNLESS SPECIFIED)	DIMENSION STYLE	SCALE	DESIGN UNITS	THIRD ANGLE PROJECTION
	▽=0	mm INCH	MM/IN	METRIC	⊙	
	▽=0	4 PLACES ± --- ± ---	DRAWN BY DATE	TITLE		
	▽=0	3 PLACES ± --- ± .010	CHECKED BY DATE	SMP PLUG, STRAIGHT PCB		
		2 PLACES ± 0.25 ± ---	SSS 2001/05/21			
		1 PLACE ± --- ± ---	APPROVED BY DATE			
		0 PLACE ± --- ± ---	JWIENER 2010/11/11			
		ANGULAR ± 2 °	MATERIAL NO.	DOCUMENT NO.		
		DRAFT WHERE APPLICABLE MUST REMAIN WITHIN DIMENSIONS	SEE SHEET 1	SD-73415-332		
			SIZE C	THIS DRAWING CONTAINS INFORMATION THAT IS PROPRIETARY TO MOLEX INCORPORATED AND SHOULD NOT BE USED WITHOUT WRITTEN PERMISSION		



LABEL:
 - ORDER NO.
 - QUANTITY
 - PART NUMBER
 - LOT NO.



CHG: SEE SHEET 1 EC NO: URF2017-0403 DRW:APRAKASHO1 2017/06/01 CHKD:888 2017/06/01 APPR:ROBERTSON 2017/06/29	DESCRIPTION REV	QUALITY SYMBOLS ▽=0 ▽=0 ▽=0	GENERAL TOLERANCES (UNLESS SPECIFIED)		DIMENSION STYLE MM/IN		SCALE	DESIGN UNITS METRIC	THIRD ANGLE PROJECTION		
			mm	INCH	DRAWN BY TEF	DATE 2001/05/21	TITLE SMP PLUG, STRAIGHT PCB SMOOTH BORE SMP-P/PCB EWR-1349	moLEX		DOCUMENT NO. SD-73415-332	SHEET NO. 3 OF 3
C7			4 PLACES ± --- ± ---	3 PLACES ± --- ± .010	2 PLACES ± 0.25 ± ---	1 PLACE ± --- ± ---	0 PLACE ± --- ± ---	APPROVED BY JWIENER	DATE 2010/11/11	THIS DRAWING CONTAINS INFORMATION THAT IS PROPRIETARY TO MOLEX INCORPORATED AND SHOULD NOT BE USED WITHOUT WRITTEN PERMISSION	
DRAFT WHERE APPLICABLE MUST REMAIN WITHIN DIMENSIONS			ANGULAR ± 2 °		SEE SHEET 1						