

1934304-1 ✓ ACTIVE

Z-PACK | Z-PACK TinMan

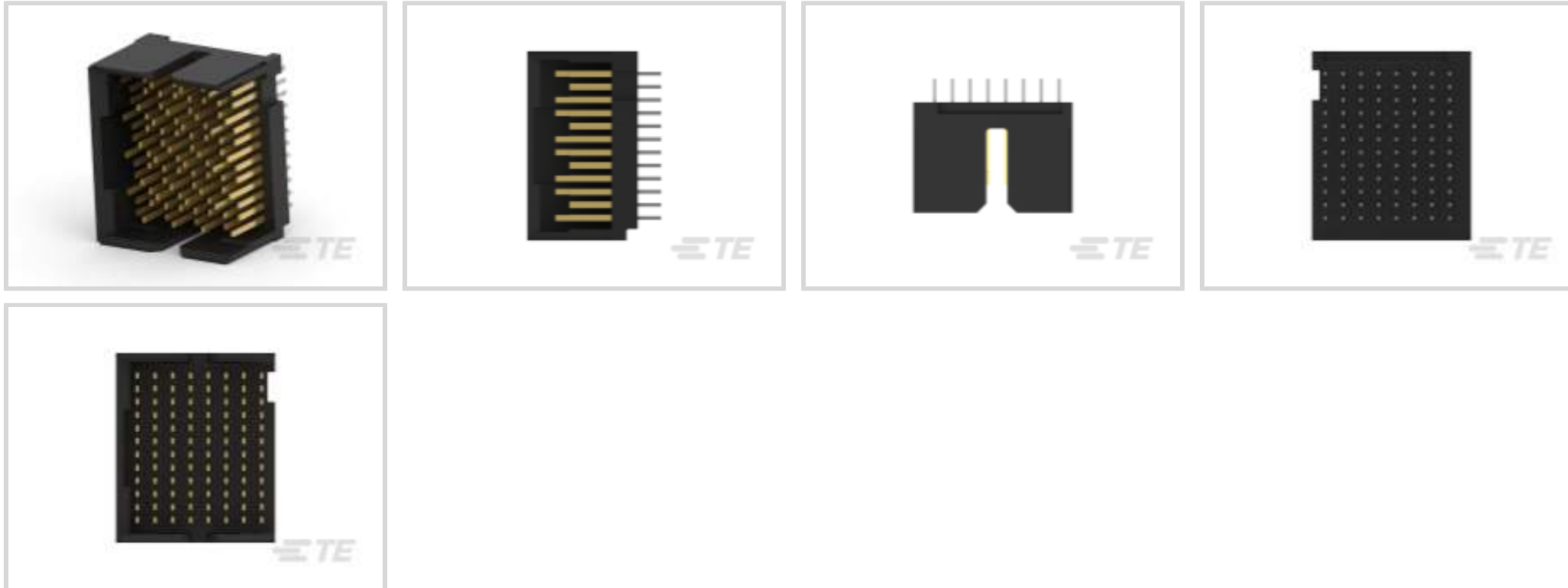
TE Internal #: 1934304-1

High Speed Backplane Connectors, 96 Position, Mating Alignment, Guide Slot Mating Alignment Type, 12 Row, 8 Column, PCB Mount Header, Z-PACK TinMan

[View on TE.com >](#)



Connectors > PCB Connectors > Backplane Connectors > High Speed Backplane Connectors



Connector System: **Board-to-Board**

Number of Positions: **96**

Row-to-Row Spacing: **1.4 mm [ .055 in ]**

Mating Alignment: **With**

Mating Alignment Type: **Guide Slot**

## Features

### Product Type Features

|                                   |                       |
|-----------------------------------|-----------------------|
| Backplane Module Type             | Right                 |
| Signal Arrangement                | Differential          |
| Connector System                  | Board-to-Board        |
| PCB Connector Assembly Type       | PCB Mount Header      |
| Shroud Style                      | Partially Shrouded    |
| Connector & Contact Terminates To | Printed Circuit Board |

### Configuration Features

|                            |                       |
|----------------------------|-----------------------|
| Pairs per Column           | 4                     |
| Number of Pairs            | 32                    |
| Stackable                  | No                    |
| Number of Signal Positions | 64                    |
| Backplane Architecture     | Traditional Backplane |
| Number of Positions        | 96                    |
| Number of Rows             | 12                    |



|                   |   |
|-------------------|---|
| Number of Columns | 8 |
|-------------------|---|

|                       |          |
|-----------------------|----------|
| PCB Mount Orientation | Vertical |
|-----------------------|----------|

### Electrical Characteristics

|           |              |
|-----------|--------------|
| Impedance | 100 $\Omega$ |
|-----------|--------------|

|                   |         |
|-------------------|---------|
| Operating Voltage | 250 VAC |
|-------------------|---------|

### Signal Characteristics

|                        |              |
|------------------------|--------------|
| Differential Impedance | 100 $\Omega$ |
|------------------------|--------------|

|   |   |
|---|---|
| Number of Differential Pairs per Column | 4 |
|---|---|

|           |         |
|-----------|---------|
| Data Rate | 10 Gb/s |
|-----------|---------|

### Body Features

|                       |       |
|-----------------------|-------|
| Primary Product Color | Black |
|-----------------------|-------|

### Contact Features

|                            |                |
|----------------------------|----------------|
| Contact Mating Area Length | 6 mm [.236 in] |
|----------------------------|----------------|

|   |                                       |
|---|---------------------------------------|
| PCB Contact Termination Area Plating Material Thickness | .5 $\mu\text{m}$ [20 $\mu\text{in}$ ] |
|---|---------------------------------------|

|              |     |
|--------------|-----|
| Contact Type | Pin |
|--------------|-----|

|  |   |
|--|---|
| Contact Mating Area Plating Material Thickness | .76 $\mu\text{m}$ [29.92 $\mu\text{in}$ ] |
|--|---|

|                                      |      |
|--------------------------------------|------|
| Contact Mating Area Plating Material | Gold |
|--------------------------------------|------|

|  |       |
|--|-------|
| PCB Contact Termination Area Plating Material Finish | Matte |
|--|-------|

|                      |             |
|----------------------|-------------|
| Contact Shape & Form | Rectangular |
|----------------------|-------------|

|   |     |
|---|-----|
| PCB Contact Termination Area Plating Material | Tin |
|---|-----|

|                       |                 |
|-----------------------|-----------------|
| Contact Base Material | Phosphor Bronze |
|-----------------------|-----------------|

|                              |      |
|------------------------------|------|
| Contact Current Rating (Max) | .5 A |
|------------------------------|------|

### Termination Features

|                                |                  |
|--------------------------------|------------------|
| Termination Post & Tail Length | 2.5 mm [.098 in] |
|--------------------------------|------------------|

|   |                          |
|---|--------------------------|
| Termination Method to Printed Circuit Board | Through Hole - Press-Fit |
|---|--------------------------|

### Mechanical Attachment

|                |         |
|----------------|---------|
| Guide Hardware | Without |
|----------------|---------|

|                  |         |
|------------------|---------|
| Mating Retention | Without |
|------------------|---------|

|                     |         |
|---------------------|---------|
| PCB Mount Alignment | Without |
|---------------------|---------|

|                     |      |
|---------------------|------|
| PCB Mount Retention | With |
|---------------------|------|

|                          |                       |
|--------------------------|-----------------------|
| PCB Mount Retention Type | Action/Compliant Tail |
|--------------------------|-----------------------|

|                  |      |
|------------------|------|
| Mating Alignment | With |
|------------------|------|



|                       |            |
|-----------------------|------------|
| Mating Alignment Type | Guide Slot |
|-----------------------|------------|

|                         |             |
|-------------------------|-------------|
| Connector Mounting Type | Board Mount |
|-------------------------|-------------|

### Housing Features

|                          |   |
|--------------------------|---|
| Number of Shrouded Sides | 3 |
|--------------------------|---|

|                   |       |
|-------------------|-------|
| End Wall Location | Right |
|-------------------|-------|

|                  |                              |
|------------------|------------------------------|
| Housing Material | LCP (Liquid Crystal Polymer) |
|------------------|------------------------------|

|                    |                 |
|--------------------|-----------------|
| Centerline (Pitch) | 1.9 mm[.075 in] |
|--------------------|-----------------|

### Dimensions

|                  |         |
|------------------|---------|
| Connector Length | 11.8 mm |
|------------------|---------|

|                  |         |
|------------------|---------|
| Connector Height | 11.8 mm |
|------------------|---------|

|                 |         |
|-----------------|---------|
| Connector Width | 20.2 mm |
|-----------------|---------|

|                   |        |
|-------------------|--------|
| PCB Hole Diameter | .47 mm |
|-------------------|--------|

|                    |                 |
|--------------------|-----------------|
| Row-to-Row Spacing | 1.4 mm[.055 in] |
|--------------------|-----------------|

### Usage Conditions

|                             |                           |
|-----------------------------|---------------------------|
| Operating Temperature Range | -65 – 90 °C[-85 – 194 °F] |
|-----------------------------|---------------------------|

### Operation/Application

|                     |        |
|---------------------|--------|
| Circuit Application | Signal |
|---------------------|--------|

### Industry Standards

|                 |    |
|-----------------|----|
| Agency/Standard | UL |
|-----------------|----|

|                    |           |
|--------------------|-----------|
| Approved Standards | UL E28476 |
|--------------------|-----------|

|                        |          |
|------------------------|----------|
| UL Flammability Rating | UL 94V-0 |
|------------------------|----------|

### Packaging Features

|                  |                  |
|------------------|------------------|
| Packaging Method | Box & Tube, Tube |
|------------------|------------------|

### Product Compliance

[For compliance documentation, visit the product page on TE.com>](#)

|                              |           |
|------------------------------|-----------|
| EU RoHS Directive 2011/65/EU | Compliant |
|------------------------------|-----------|

|                             |           |
|-----------------------------|-----------|
| EU ELV Directive 2000/53/EC | Compliant |
|-----------------------------|-----------|

|   |   |
|---|---|
| China RoHS 2 Directive MIIT Order No 32, 2016 | No Restricted Materials Above Threshold |
|---|---|

|  |  |
|--|--|
| EU REACH Regulation (EC) No. 1907/2006 | Current ECHA Candidate List: JUNE 2023 (235)<br>Candidate List Declared Against: JUNE 2023 (235) |
|--|--|



Does not contain REACH SVHC

Halogen Content

Low Halogen - Br, Cl, F, I < 900 ppm per homogenous material. Also BFR/CFR/PVC Free

Solder Process Capability

Not applicable for solder process capability

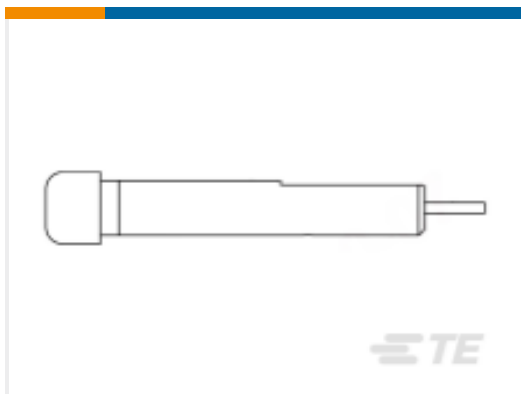
Product Compliance Disclaimer

This information is provided based on reasonable inquiry of our suppliers and represents our current actual knowledge based on the information they provided. This information is subject to change. The part numbers that TE has identified as EU RoHS compliant have a maximum concentration of 0.1% by weight in homogenous materials for lead, hexavalent chromium, mercury, PBB, PBDE, DBP, BBP, DEHP, DIBP, and 0.01% for cadmium, or qualify for an exemption to these limits as defined in the Annexes of Directive 2011/65/EU (RoHS2). Finished electrical and electronic equipment products will be CE marked as required by Directive 2011/65/EU. Components may not be CE marked. Additionally, the part numbers that TE has identified as EU ELV compliant have a maximum concentration of 0.1% by weight in homogenous materials for lead, hexavalent chromium, and mercury, and 0.01% for cadmium, or qualify for an exemption to these limits as defined in the Annexes of Directive 2000/53/EC (ELV). Regarding the REACH Regulation, the information TE provides on SVHC in articles for this part number is based on the latest European Chemicals Agency (ECHA) 'Guidance on requirements for substances in articles' posted at this URL: <https://echa.europa.eu/guidance-documents/guidance-on-reach>

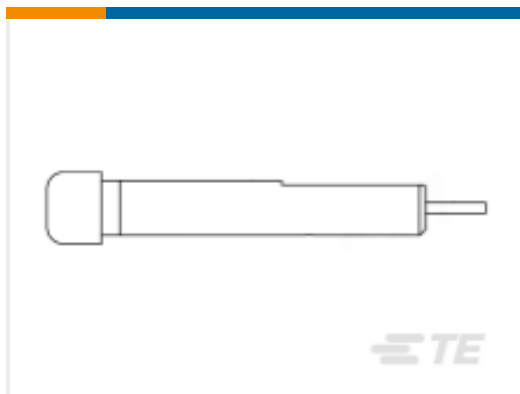
### Compatible Parts



TE Part # 1934222-1  
Tin Man Recept Assy 4Pair8Column

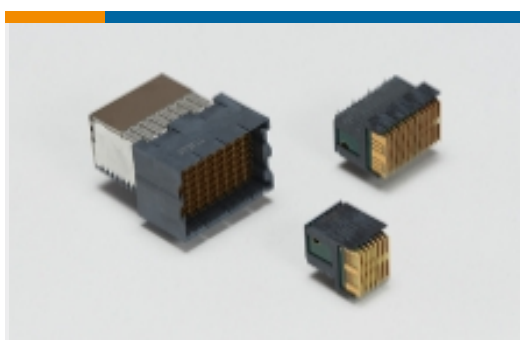


TE Part # 1976930-1  
INS TOOL, TIN MAN, 4.5



TE Part # 1976935-1  
EXT TOOL. IND CONTACTS, T.M.

### Also in the Series | Z-PACK TinMan

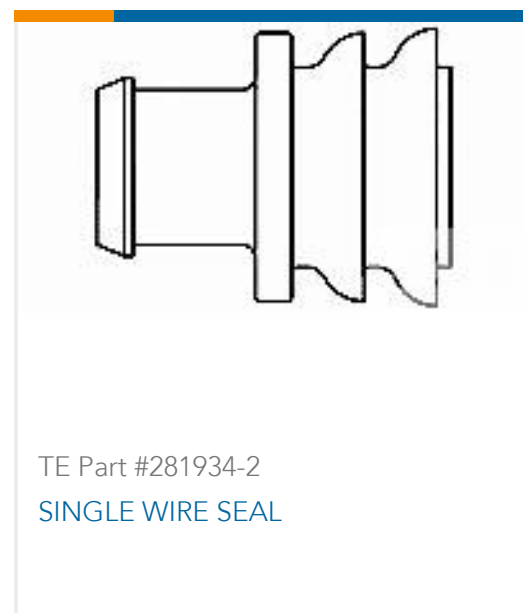


High Speed Backplane Connectors(65)



Insertion & Extraction Tools(2)

### Customers Also Bought



## Documents

### Product Drawings

#### Tin Man Header Assy 4x8 Right

English

### CAD Files

#### 3D PDF

3D

#### Customer View Model

[ENG\\_CVM\\_CVM\\_1934304-1\\_A.2d\\_dxf.zip](#)

English

#### Customer View Model

[ENG\\_CVM\\_CVM\\_1934304-1\\_A.3d\\_igs.zip](#)

English

#### Customer View Model

[ENG\\_CVM\\_CVM\\_1934304-1\\_A.3d\\_stp.zip](#)

English

By downloading the CAD file I accept and agree to the [Terms and Conditions](#) of use.

### Datasheets & Catalog Pages

#### High Speed Backplane Connectors catalog - Z-PACK TinMan High Speed, High Density Backplane Connector

English

#### Z-PACK TinMan High Speed High Density Backplane Connector Catalog 5-1773447-9

English

### Product Specifications

#### Application Specification

English

1934304-1

High Speed Backplane Connectors, 96 Position, Mating Alignment, Guide Slot  
Mating Alignment Type, 12 Row, 8 Column, PCB Mount Header, Z-PACK TinMan

